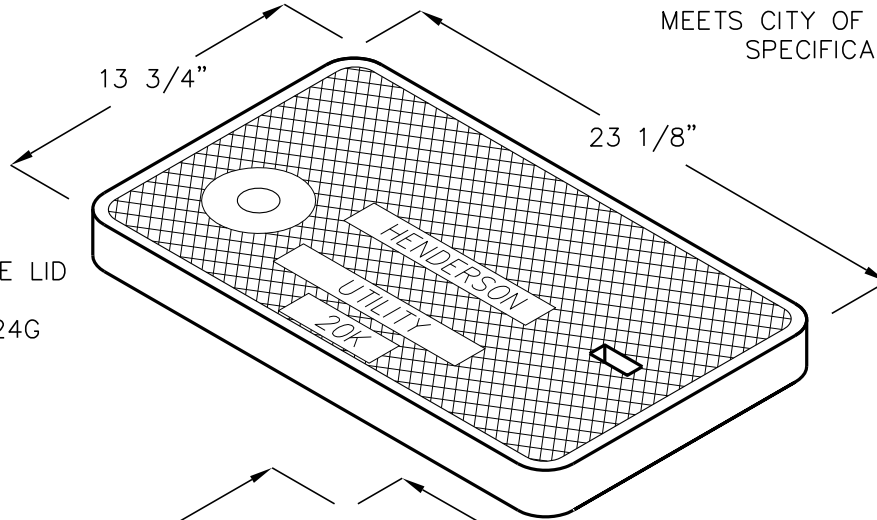


CITY OF HENDERSON 3/4"-1" POLYMER WATER METER BOX

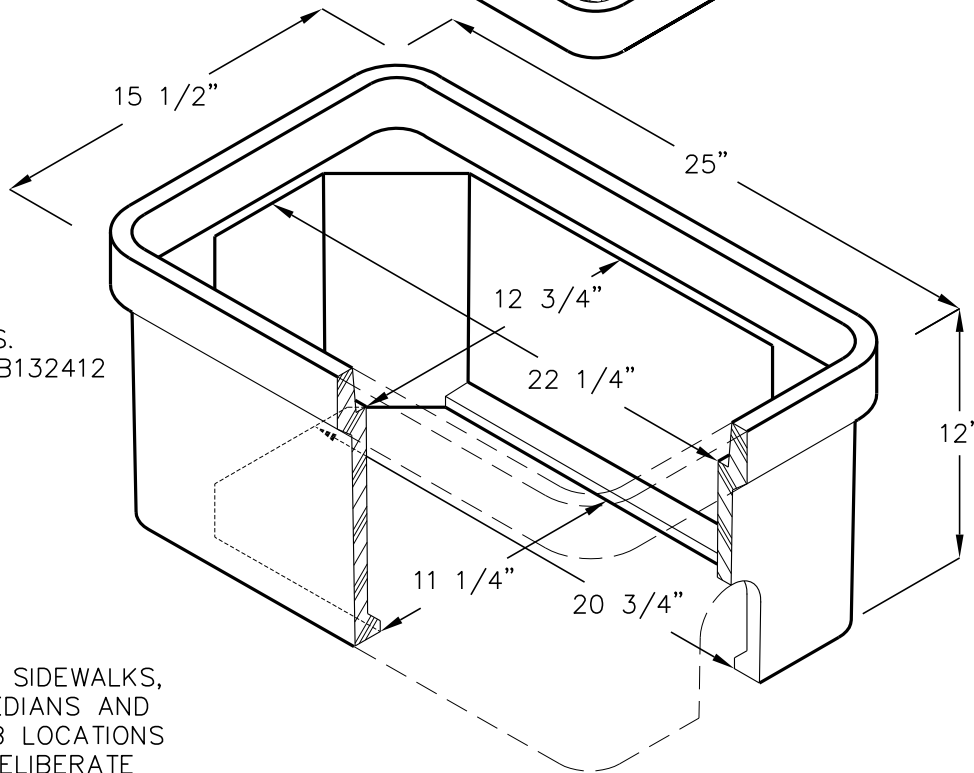
13"x24"x12"

(NOMINAL INSIDE DIMENSIONS)

MEETS CITY OF HENDERSON
SPECIFICATIONS



*POLYMER PROBE LID
23 LBS.
STOCK # PCL1324G



*BOX 52 LBS.
STOCK # PCB132412

*FOR USE IN SIDEWALKS,
ROADWAY MEDIANS AND
BEHIND CURB LOCATIONS
WHERE NO DELIBERATE
VEHICULAR TRAFFIC IS
PLANNED. METERS PLACED IN
ROLL CURBS OR DRIVEWAYS
REQUIRE TRAFFIC RATED BOX
AND LID.

FOR COMPLETE DESIGN
AND PRODUCT INFORMATION,
CONTACT JENSEN PRECAST.

WHEN ORDERING:

Standard City of Henderson
1324 kit includes box & lid as
shown. Items may be ordered
individually for replacement.
Refer to individual stock number
when ordering.

Jensen Precast reserves the right to make changes to product design
and/or dimensions without notice. Please contact Jensen Precast whenever
necessary for confirmation or advice on product design.

JENSEN
PRECAST