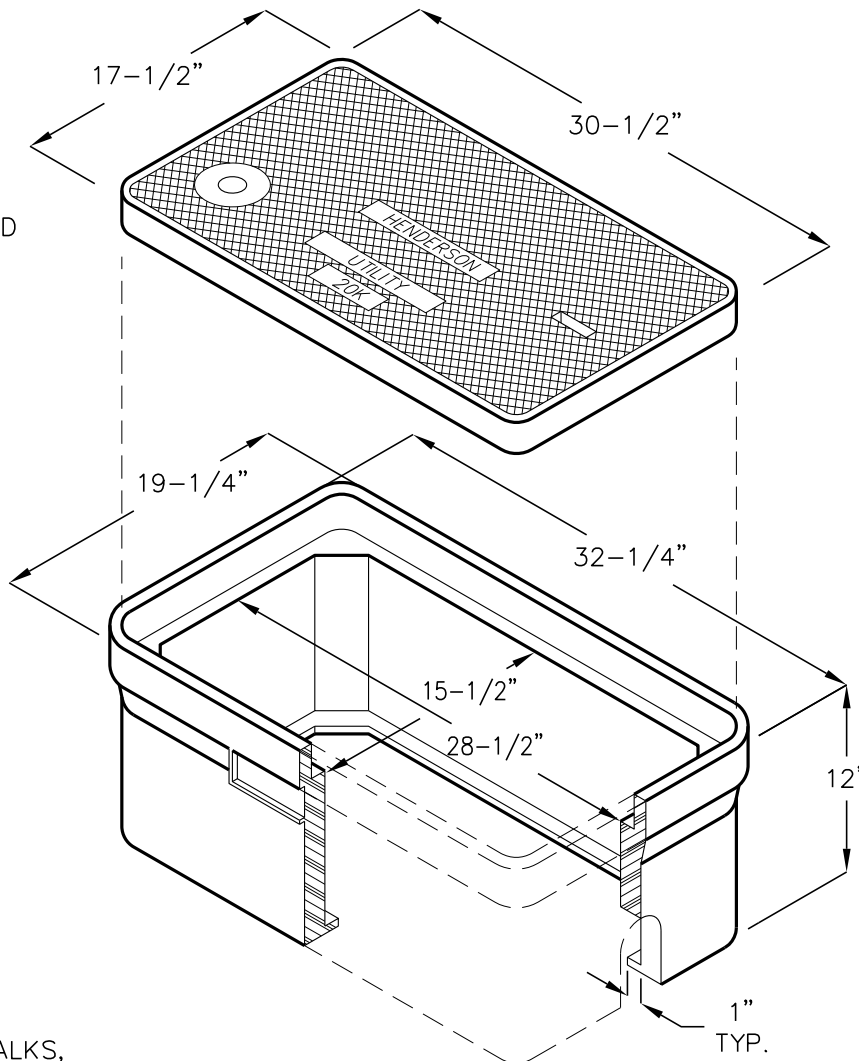


# CITY OF HENDERSON 1-1/2" - 2" POLYMER WATER METER BOX

17"x30"x12"

(NOMINAL INSIDE DIMENSIONS)

MEETS CITY OF HENDERSON  
SPECIFICATIONS



\*POLYMER PROBE LID  
74 LBS.  
STOCK # PCL1730G

\*BOX 92 LBS.  
STOCK # PCB173012

\*FOR USE IN SIDEWALKS,  
ROADWAY MEDIANS AND  
BEHIND CURB LOCATIONS  
WHERE NO DELIBERATE  
VEHICULAR TRAFFIC IS  
PLANNED. METERS PLACED  
IN ROLL CURBS OR  
DRIVEWAYS REQUIRE TRAFFIC  
RATED BOX AND LID.

FOR COMPLETE DESIGN  
AND PRODUCT INFORMATION,  
CONTACT JENSEN PRECAST.

#### WHEN ORDERING:

Standard City of Henderson  
1730 kit includes box & lid as  
shown. Items may be ordered  
individually for replacement.  
Refer to individual stock number  
when ordering.

Jensen Precast reserves the right to make changes to product design  
and/or dimensions without notice. Please contact Jensen Precast whenever  
necessary for confirmation or advice on product design.

**JENSEN**  
PRECAST