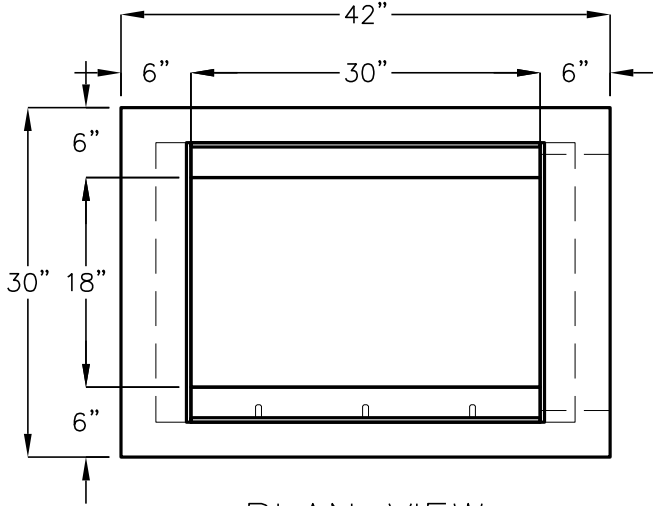
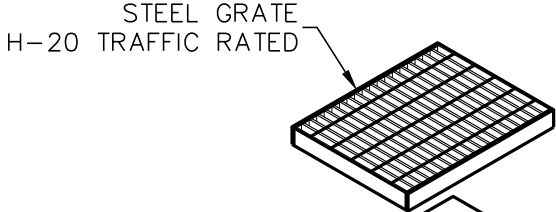


EMBANKMENT PROTECTOR

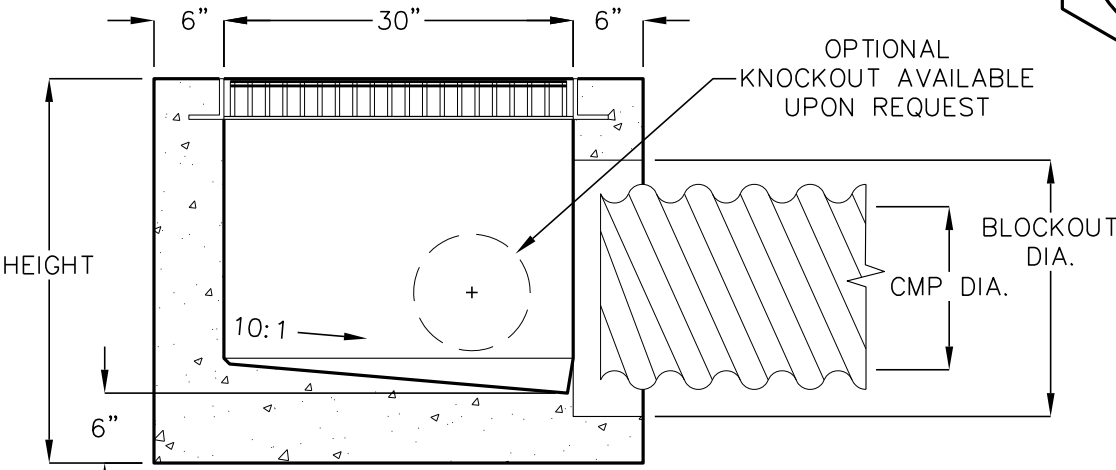
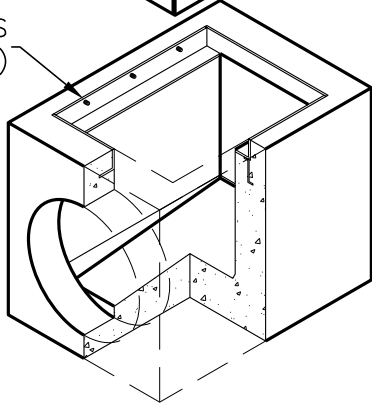
MEETS NDOT TYPE 5 SPECIFICATIONS



PLAN VIEW



GRATE HOLD DOWN BOLTS (APPROACH SIDE ONLY)



ELEVATION SECTION

MODEL NO.	CMP DIA.	BLOCKOUT DIA.	OUTSIDE HEIGHT	CONCRETE VOLUME
EP5-21	12"	16"	27"	.46 CYD
EP5-24	15"	19"	30"	.50 CYD
EP5-27	18"	22"	33"	.53 CYD

DESIGN LOAD: H-20 TRAFFIC.

WATER TABLE ASSUMED TO BE BELOW BOTTOM OF STRUCTURE.

FOR COMPLETE DESIGN AND PRODUCT INFORMATION CONTACT JENSEN PRECAST.

Jensen Precast reserves the right to make changes to product design and/or dimensions without notice. Please contact Jensen Precast whenever necessary for confirmation or advice on product design.

