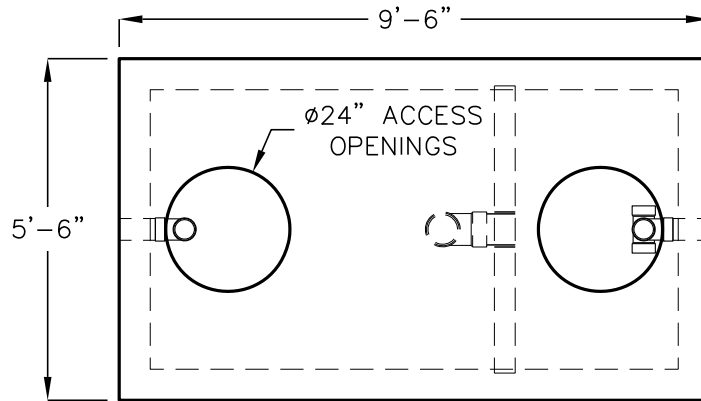
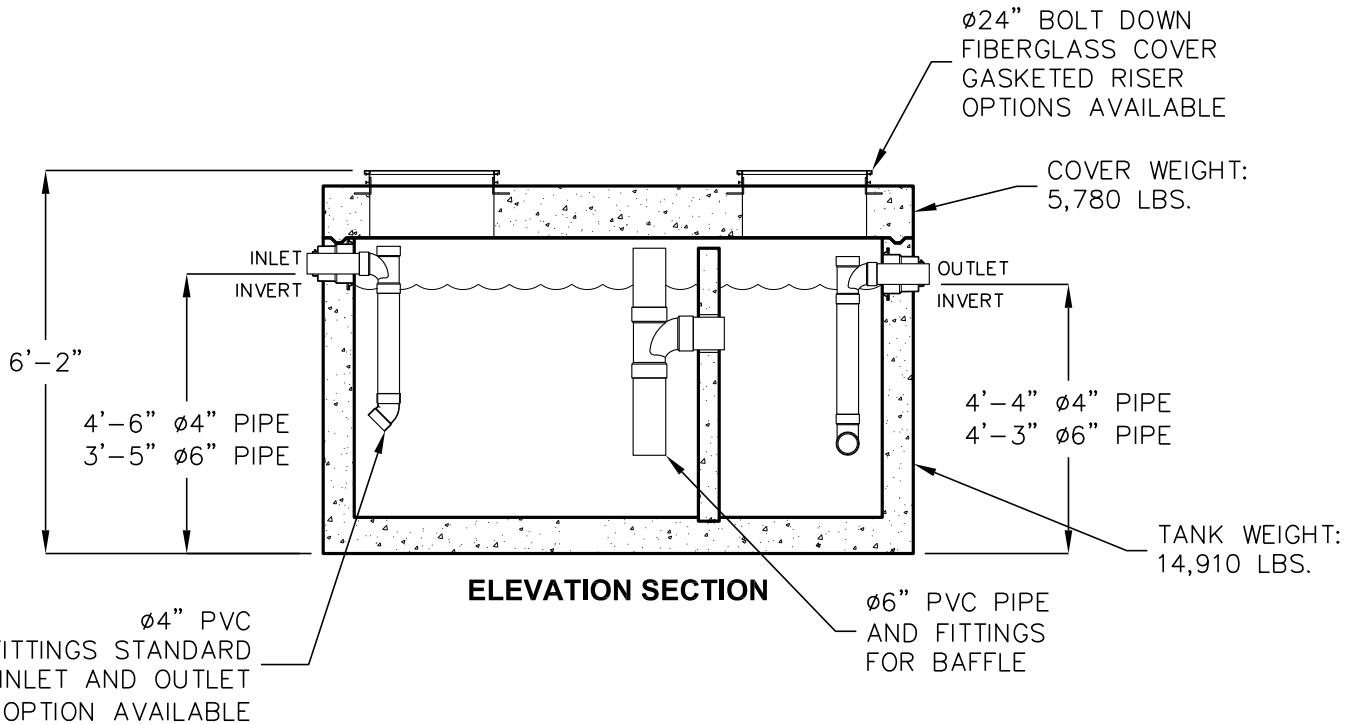


1000 GALLON GREASE INTERCEPTOR

MODEL MU1000-EE-G1
ABOVE GROUND APPLICATION



PLAN VIEW



OPERATING CAPACITY: 1000 GALLONS.

DESIGN LOAD: ABOVE GROUND WITH SEISMIC DESIGN WHERE: S_s MAX= 2.00
 S_1 MAX= 1.00
IMPORTANCE FACTOR= 1.0

A FOUNDATION IS REQUIRED CAPABLE OF WITHSTANDING THE VERTICAL AND SEISMIC LOADING FOR THE TANK. ANCHORAGE IS REQUIRED THAT WILL RESIST TANK SLIDING AND OVERTURNING DURING SEISMIC EVENTS. CLIENT WILL BE RESPONSIBLE FOR PROVIDING ANCHORAGE AND A FOUNDATION.

FOR COMPLETE DESIGN AND PRODUCT INFORMATION CONTACT JENSEN PRECAST.

B Jensen Precast reserves the right to make changes to product design and/or dimensions without notice. Please contact Jensen Precast whenever necessary for confirmation or advice on product design.