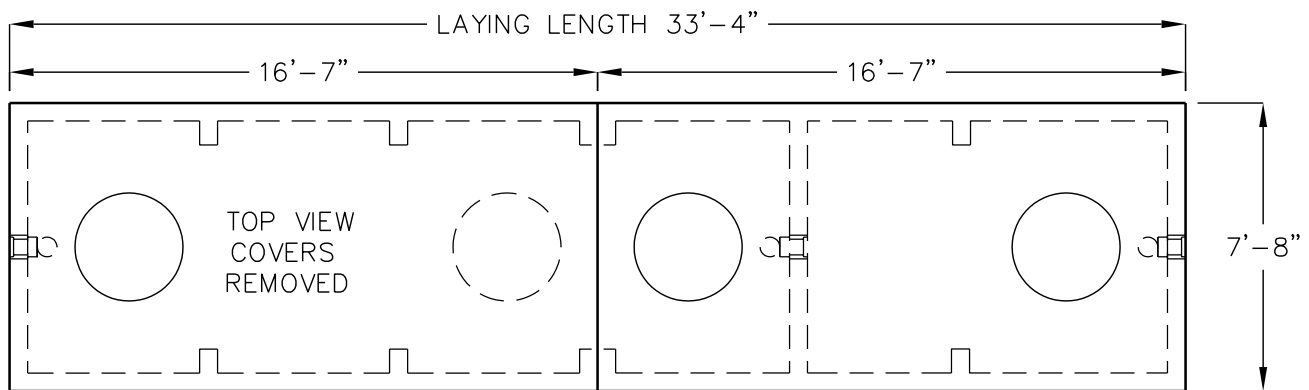
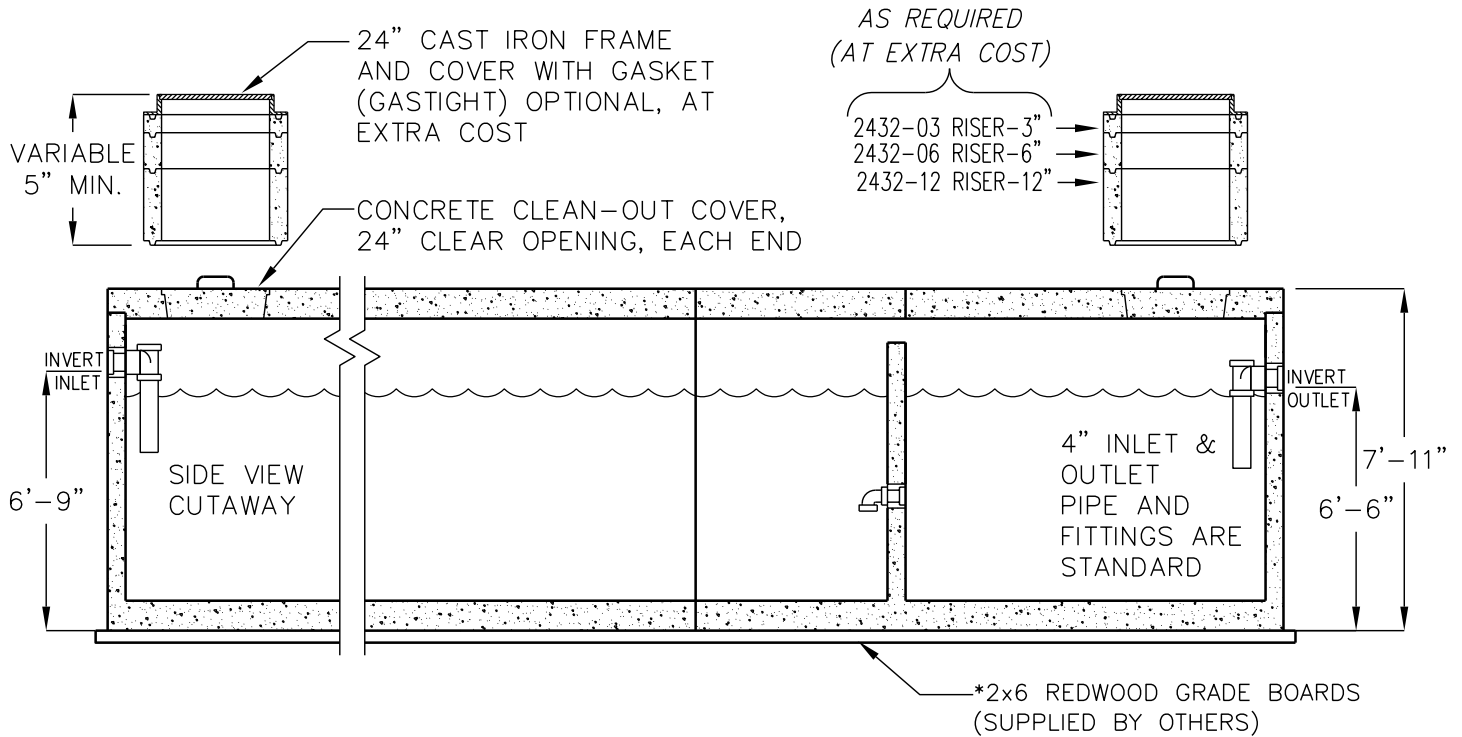


10,000 GALLON BATTERY SEPTIC TANK

MODEL 2XJZ5000



○ = RECOMMENDED
RISER/CAST IRON
COVER LOCATIONS

○ = OPTIONAL
RISER/CAST IRON
COVER LOCATIONS

FOR INSTALLATION INSTRUCTIONS,
DESIGN AND PRODUCT INFORMATION,
CONTACT JENSEN PRECAST.

LIQUID CAPACITY: 10,000 GALLONS.

BOX DESIGN LOAD: H-20 TRAFFIC FROM 1' TO 4' OF
SOIL COVER. DEEP BURY DESIGN ALSO AVAILABLE.