

4'-0" x 4'-0" SCG PKY BOTTOMLESS HANDHOLE (76-9422) x 42" DEEP

NOTES:

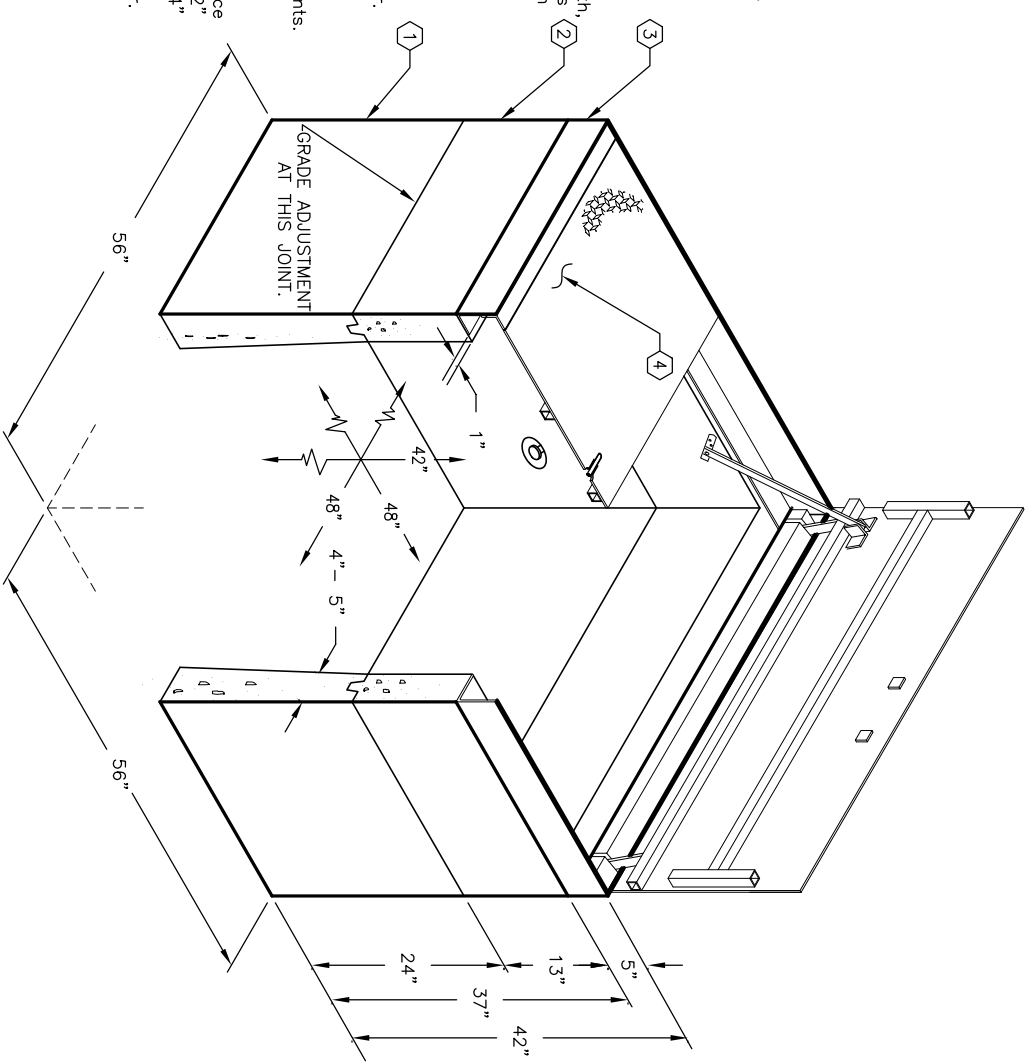
- DESIGNED IN ACCORDANCE WITH AASHTO H-20-44 BRIDGE LOADING USING 5,500 PSI [37.92MPa] COMPRESSIVE STRENGTH CONCRETE AND 60,000 PSI [413.2MPa] YIELD STRENGTH GRADE 60 A-706 STEEL REINFORCEMENT PER CALC. #31166.
- COVER DESIGNED FOR PARKWAY LOADING PER CALC. #31176.
- VAULT TO BE PLACED ON A MIN. 6" BASE OF CRUSHER RUN FOR EASE OF INSTALLATION AND EVEN LOAD DISTRIBUTION.
- INSTALL (4) 1/2" x 2 1/2" HEX HEAD BOLTS IN TOP SECTION AND LOWER SECTION INSERTS. WHEN NOT IN USE GUARD BARS TO BE PLACED DIAGONALLY ACROSS BOLTS.

ORDERING INFORMATION:

K44-FH42-15PSR FOR ASSEMBLY AS SHOWN.
 APPROVED FOR SO. CAL. GAS COMPANY #76-9422.
 TOTAL WEIGHT OF ASSEMBLY IS 3,193 Lbs.

GENERAL NOTES:

1. Minimum soil bearing capacity is hereby assumed to be 2000 PSF unless otherwise documented by a geotechnical report that shall be provided to Jensen Precast by the end user. Jensen Precast shall not be held responsible for the soil bearing capacity.
2. Installation of Manholes, Vaults, Handholes, Meter Boxes etc. will be as per Jensen installation procedures.
3. Structural modification to the Jensen line of products is not permitted without prior written approval from Jensen Engineering Department. Do not scale the drawings, verify all dimensions including rough openings, if any discrepancies are found, notify the Jensen Engineer immediately.
5. The Jensen Engineer will interpret the intent of the drawings in case of possible conflict or discrepancy.
6. Permissible Variations: Dimensional Tolerances – The length, width, height, or dia. measurements of the structure when measured on the inside surfaces shall not deviate from design dimensions by more than the following:
 Dimensions: Tolerance:
 0 to 5 Feet 1/4"
 5 to 10 Feet 3/8"
 10 to 20 Feet as agreed upon between the supplier and purchaser.
 Sauteriness Tolerance: The inside of the precast concrete component shall be square as determined by diagonal measurements. The difference between such measurements shall not exceed the following:
 Measured Length: Allowable Difference
 0 to 10 Feet 1/2"
 10 to 20 Feet 3/4"
 20 Feet and over as agreed upon between the supplier and purchaser.
7. PB44F-L24-15, 24" LOWER SECTION, WT. 1,751 Lbs.
 PB44-T13-15, 13" TOP SECTION, WT. 951 Lbs.
 5" GALVANIZED FRAME (F44-PB-GAS), 300-60, WT. 176 Lbs.
 C44-PSSR, (2) PIECE GALVANIZED SPRING ASSISTED PARKWAY COVER ASSEMBLY (SC44-PSRGV-15) W/ GUARD BARS, SPECIAL CAMLOCKS, (2) LIFT HANDLES & (1) 1/2" ALLEN BUTTON HEAD CAP SCREW, WT. 320 Lbs.
 (1/2" P-35-T INSERT, LOCATE AS FOLLOWS: TOP SECTION (4) PALLET MTD., (4) CORE MTD.; BOTTOM SECTION (4) CORE MTD., 1/2" x 5" ADJUSTING BOLTS LOCATE AS FOLLOWS: BOTTOM SECTION (4) SURFACE MTD.



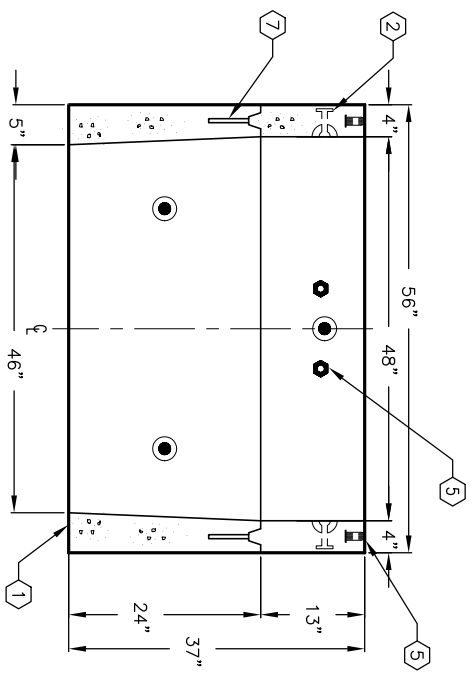
MINIMUM EXCAVATION SIZE:
 5'-8" x 5'-8" x DEPTH REQD.



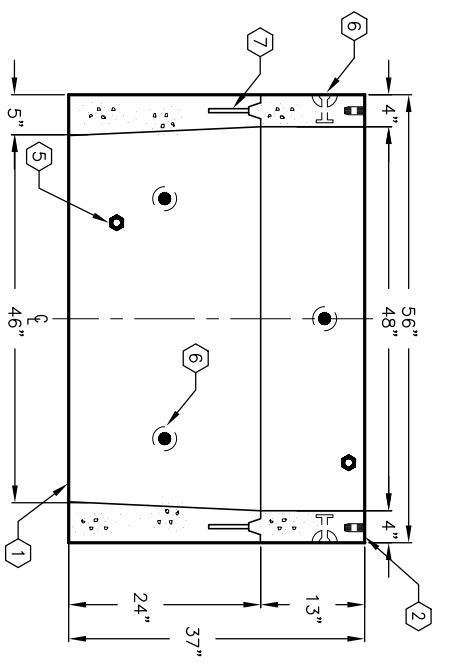
K44-FH42-15PSR
 PER SO. CAL. GAS CO. SPEC. 76-9422

AUTOCAD REL. 14

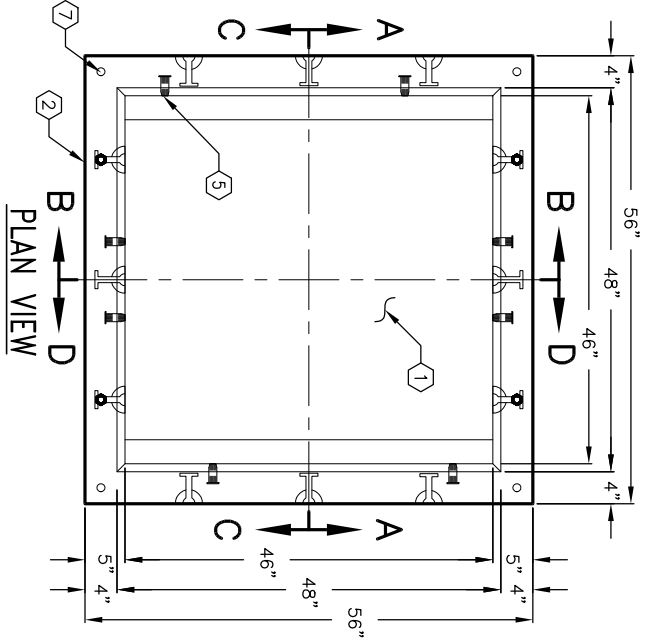
03-01-02



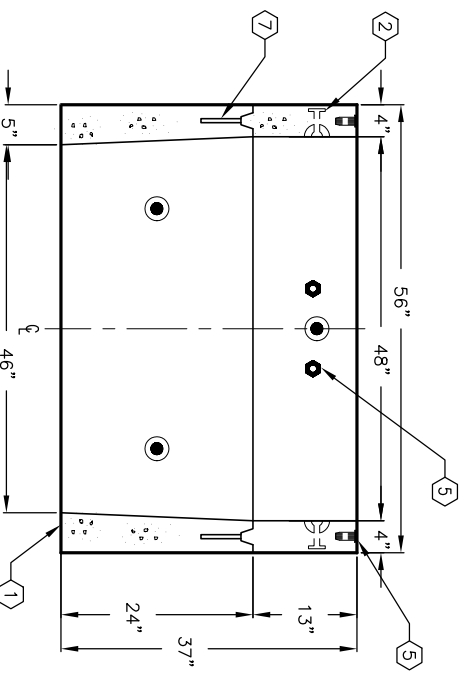
SECTION A-A



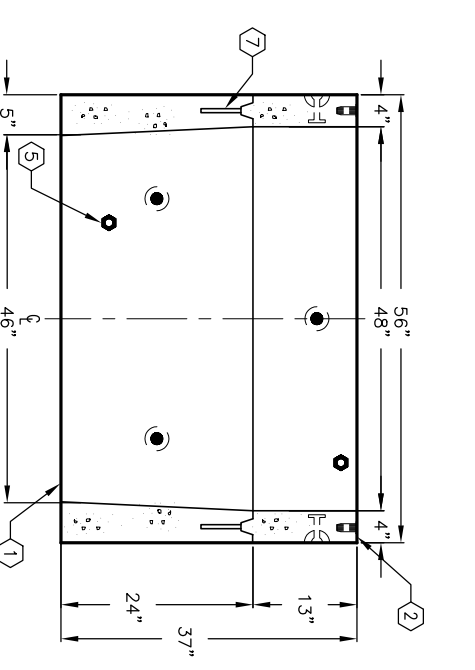
SECTION B-B



PLAN VIEW



SECTION C-C



SECTION D-D



K44-FH42-15PSR
 PER SO. CAL. GAS CO. SPEC. 76-9422

03-01-02

#	DATE	DESCRIPTION	BY