

8'-0" x 20'-0" EDISON TRANSMISSION VAULT x 9'-4" DEEP

NOTES:

- VAULT DESIGNED IN ACCORDANCE WITH AASHTO H 20-44 TRAFFIC BRIDGE LOADING.
 - CONCRETE COMPRESSIVE STRENGTH SHALL BE ASSUMED TO BE 5,500 PSI [37.92MPa] @ 28 DAYS.
 - YIELD STRENGTH OF THE REINFORCING STEEL SHALL BE 60,000 PSI [413.2MPa] GRADE 60 AND SHALL BE 43,101.2.
 - CONCRETE MIX USED IN POURING THIS PRODUCT SHALL USE FLY ASH AS AN ADMIXTURE.
 - WAIT TO BE PLACED ON A MIN. 6" BASE OF CRUSHER RUN FOR CASE OF INSTALLATION AND EVEN LOAD DISTRIBUTION.
 - LIMIT OF COVER OVER ROOF SECTION IS 1'-6" TO 4'-0".
 - ALL WALLS AND CEILING SHALL BE PAINTED WHITE.
- THE FOLLOWING MATERIAL IS TO BE SHIPPED WITH THE VAULT:
- a) 7/8" x 1 3/4" CONCRETE GASKET (90 FT. REQ'D).
 - b) 1/2" x 2 1/2" S.S.H.H. BOLTS (40 REQ'D).
 - c) 32 HOLE CABLE RACKS (20 REQ'D).

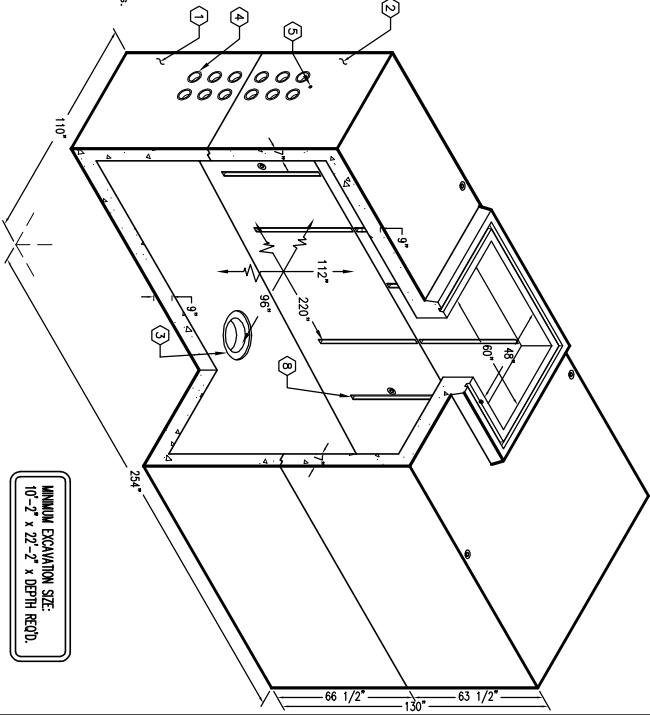
ORDERING INFORMATION:

K820FV112-11 FOR ASSEMBLY AS SHOWN.
 PER EDISON SPEC. UOI 009
 TOTAL WEIGHT OF ASSEMBLY SHOWN AS 91,077 lbs.

1. IWB20-566-11, 56" BOTTOM SECTION, WT. 46,073 lbs.
2. IWB20-756-11, 56" TOP SECTION, WT. 45,004 lbs.
3. 13" x 14" DIA. SLUMP x 7 1/2" DEEP (5000-508) W/RECESS TO ACCOMMODATE SLUMP COVER, BOTTOM SECTION (1)
4. 5" DIA. CONTERMS, BOTTOM SECTION (24) CORE MTD.; TOP SECTION (24) CORE MTD.
5. 1" DIA. COIL THRD. INSERT, BOTTOM SECTION (4) CORE MTD.; TOP SECTION (4) CORE MTD.
6. 5/2" THRD. BRONZE INSERT (BRAZED TO STRUCTURAL STEEL, "60" SHALL BE ABOVE EA. INSERT, BOTTOM SECTION (2) CORE MTD.; TOP SECTION (2) CORE MTD.)
7. 1 5/8" x 1 5/8" GALV. CAST-IN UNISTRUT x 46", BOTTOM SECTION (6) CORE MTD.; TOP SECTION (6) CORE MTD.
8. 1 5/8" x 1 5/8" GALV. CAST-IN UNISTRUT x 228", BOTTOM SECTION (2) CORE MTD.; TOP SECTION (2) CORE MTD.

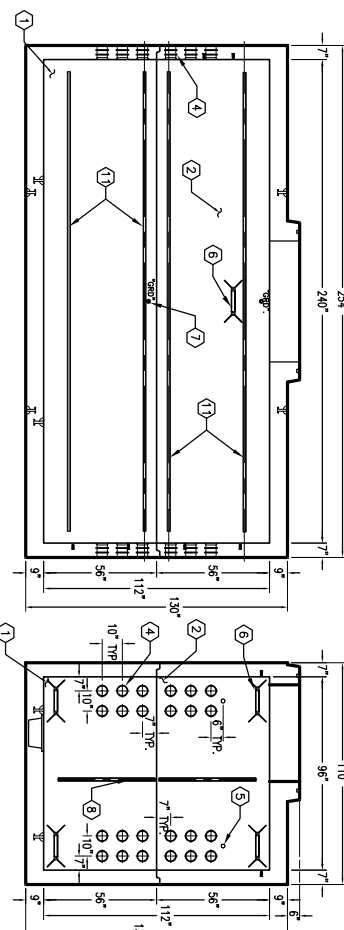
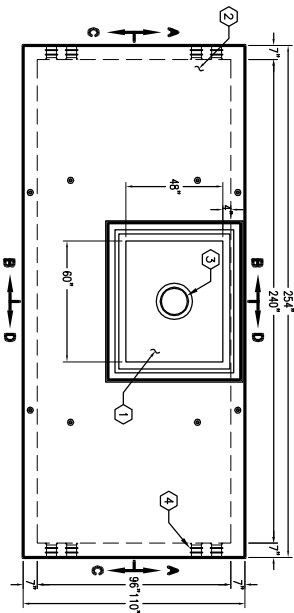
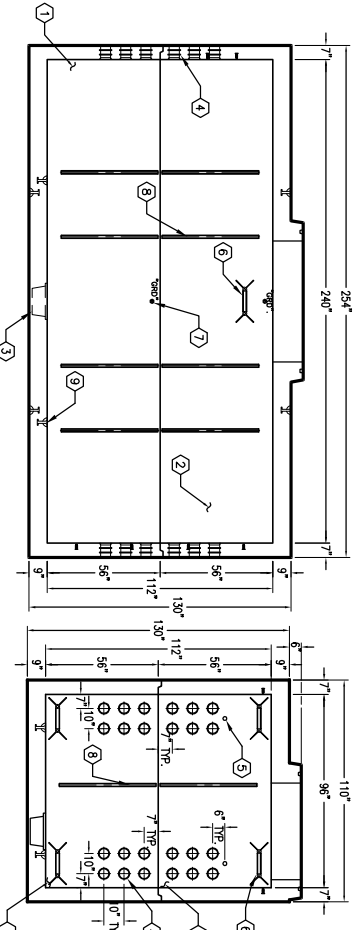
GENERAL NOTES:

1. Minimum soil bearing capacity is hereby assumed to be 1000 psf unless otherwise indicated by a geotechnical report that shall be provided to Jensen Precast by the end user. Jensen Precast shall not be held responsible for the design of the foundation or the installation of Monholes, Vaults, Handholes, Meter Boxes etc. will be as per Jensen installation procedures.
2. Structural modification to the product is not permitted without prior written approval from Jensen Engineering Department.
3. Do not scale the drawings, verify all dimensions and details. If any discrepancies are found, notify the Jensen Engineer immediately.
4. The Jensen Engineer will interpret the intent of the drawings in the event of a possible conflict or discrepancy.
5. Permissible Variations: Dimensional Tolerances - The length, width, height, or dia. measurements on the inside surfaces shall not deviate from design dimensions by more than the following: Tolerance: 0 to 3 Feet: 1/4" 3 to 5 Feet: 3/8" 5 to 10 Feet: 1/2" 10 to 20 Feet: 3/4"
6. Squariness Tolerance: The inside of the precast concrete component shall be square as measured on the inside surfaces. The difference between such measurements shall not exceed the following: Measured Length: Allowable Difference 0 to 10 Feet: 1/4" 10 to 20 Feet: 3/4" 20 feet and over as agreed upon between the supplier and purchaser.



MINIMUM EXCAVATION SIZE:
 10'-2" x 22'-2" x DEPTH REQ'D.

K820FV112-11
 PER EDISON SPEC. UOI 009
 01-01-02



SECTION C-C

#	DATE	DESCRIPTION	BY

K820FV112-11
 PER EDISON SPEC. UOI 009
 01-01-02