

4'-0" x 4'-0" EDISON TRAFFIC BURD SWITCH ENCLOSURE x 4'-0" DEEP

NOTES:

- MANHOLE DESIGNED IN ACCORDANCE WITH AASHTO
- PER 2.44 TRAFFIC BURDGE LOADING (SINCE 5,500 LBS. PER SQ. YD. OF SURFACE AREA) USING 3/8" DIA. AND 60,000 PSI (43,2MPSI) YIELD STRENGTH ASTM A-706 STEEL REINFORCEMENT PER CALC. #J30479.
- VAULT TO BE PLACED ON A MIN. 6" BASE OR CONCRETE SLAB FOR EASY INSTALLATION AND EVEN LOAD DISTRIBUTION.

THE FOLLOWING MATERIAL TO BE SHIPPED WITH EACH VAULT:

- (a) 7/8" x 1 3/4" CONSEAL GASKET (45 FT. REQT.)

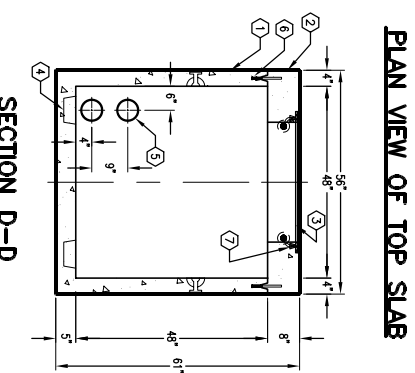
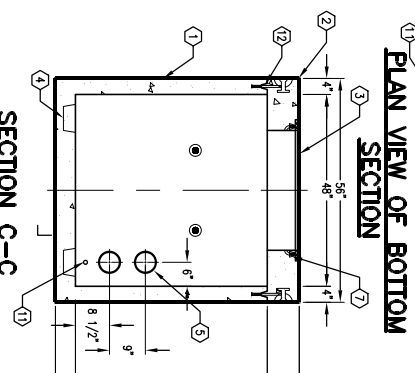
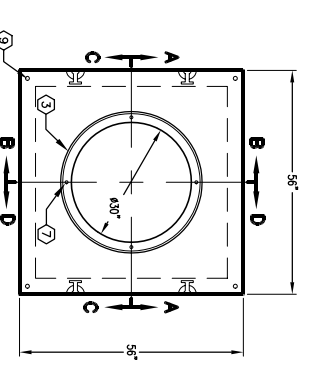
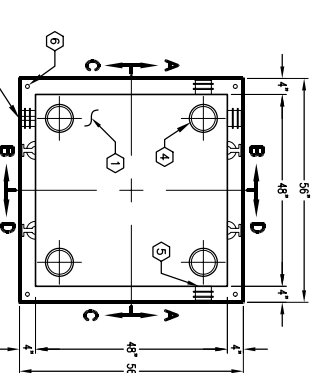
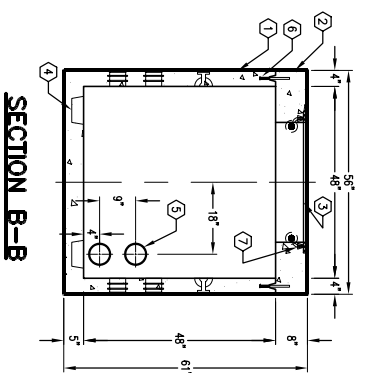
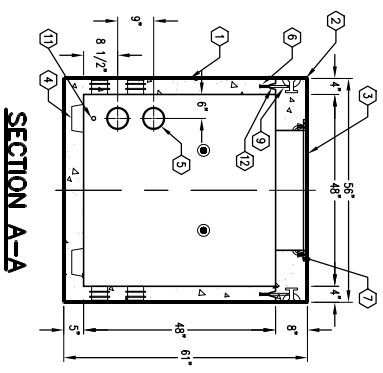
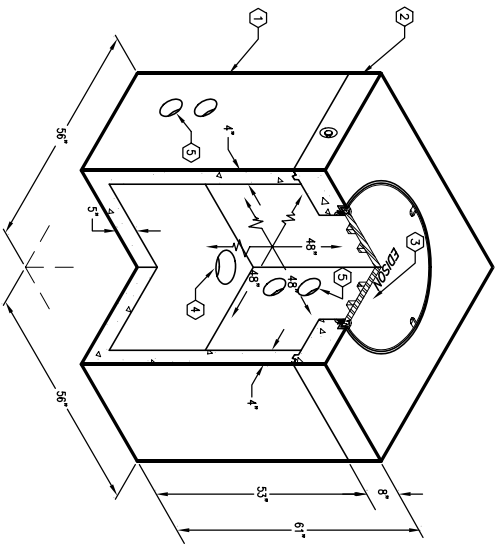
ORDERING INFORMATION:

K44-SE48-11T FOR ASSEMBLY AS SHOWN
 APPROVED FOR EDISON SPEC. U.S.-564.
 TOTAL WEIGHT OF ASSEMBLY IS 9,500 Lbs.

GENERAL NOTES:

1. Minimum soil bearing capacity is hereby assumed to be 2000 PSF unless otherwise documented by a geotechnical report that shall be provided to Jensen Precast by the purchaser. The purchaser shall not be held responsible for the soil bearing capacity.
2. Installation of Manholes, Vaults, Handholes, Meter Boxes etc. will be as per Jensen installation procedures.
3. Structural modification to the Jensen line of products is not permitted without prior written approval from Jensen Engineering Department. Do not scale the drawings, verify all dimensions including rough openings, if any discrepancies are found, notify the Jensen Engineer immediately.
5. The Jensen Engineer will interpret the intent of the drawings in case of possible conflict or discrepancy.
6. Permissible Variations:
 - Dimensional Tolerances - The length, width, height, or dia. measurements of the structure when measured on the inside surfaces shall not deviate from design dimensions by more than the following:
 - Dimensions: 0 to 5 Feet Tolerance: 1/4"
 - 5 to 10 Feet 3/8"
 - 10 to 20 Feet as agreed upon between the supplier and purchaser.
 - Squareness Tolerance: The inside of the precast concrete determined by diagonal measurements. The difference between such measurements shall not exceed the following:
 - Measured Length: Allowable Difference 0 to 10 Feet 1/2"
 - 10 to 20 Feet 3/4"
7. Between the supplier and purchaser.

1. PB44F-B48-11 48" BOTTOM SECTION, WT. 4,830 Lbs.
2. PB44-T8-11, 8" TOP SLAB W/ CAST-IN A-1106
3. N/S CAST IRON FRAME, WT. 1,780 Lbs.
4. A-1106, N/S 30" DIA. CAST IRON COVER MARKED EDISON TRAFFIC BURD SWITCH ENCLOSURE 6" x 27" DIA. SLUMP X 3" DEEP, BOTTOM SECTION
5. (4) CORE MTD.
6. 5" DIA. TERMINATORS LOCATE AS FOLLOWS: BOTTOM SECTION (2) SHIELD MTD. LOCATE AS FOLLOWS: BOTTOM SECTION (2) STRUT MTD.
7. (4) GROOVE FORMER MTD.
8. (4) 1/2"-P35-T INSERT W/ CLEAN-OUT HOLES. LOCATE AS FOLLOWS: TOP SLAB (4) FRAME MTD.
9. 3/4" - 1/2" TAPERED HOLE x 4" DEEP TO ACCEPT A 1/2" x 5" LONG ADJUSTING BOLT. LOCATE AS FOLLOWS: TOP SLAB (4) GROOVE FORMER MTD.
10. 1/2" DIA. SCHEDULE 40 PVC CONDUIT. LOCATE AS FOLLOWS: BOTTOM SECTION (2) CORE MTD.
11. 1/2" DIA. SCHEDULE 40 PVC CONDUIT. LOCATE AS FOLLOWS: BOTTOM SECTION (4) SURFACE MTD.
- 12.



AUTOCAD, REV. 14

MINIMUM EXCAVATION SIZE:
 5'-6" x 5'-6" x DEPTH REQUIRED

K44-SE48-11T
 PER EDISON SPEC. U.S.-564



DATE	DESCRIPTION	BY

K44-SE48-11T
 PER EDISON SPEC. U.S.-564