

4'-0" x 4'-0" EDISON PARKWAY BURD SWITCH ENCLOSURE x 4'-0" DEEP

NOTES:

- DESIGNED IN ACCORDANCE WITH AASHTO H-20-44 TRUCK BRIDGE LOADING USING 5300 PSI FRC CONCRETE AND 60,000 PSI (413,2MPa) YIELD STRENGTH ASTM A-706 STEEL REINFORCEMENT PER CALC. #30479.
- VAULT TO BE PLACED ON A MIN. 6" BASE OR OTHER TYPE OF INSTALLATION AND EVEN LOAD DISTRIBUTION.

THE FOLLOWING MATERIAL TO BE SHIPPED WITH EACH VAULT:

- 7/8" x 1 3/4" CONSOLE GASKET (45 FT. REQ'D).

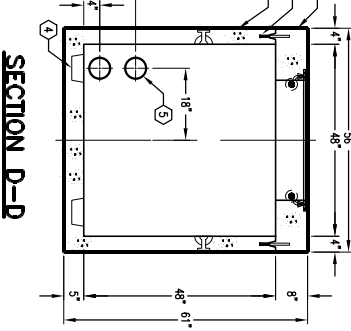
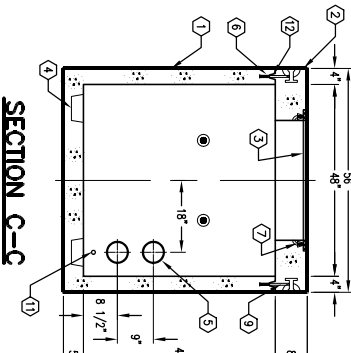
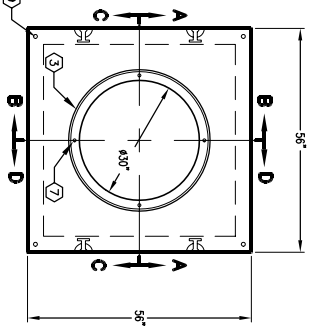
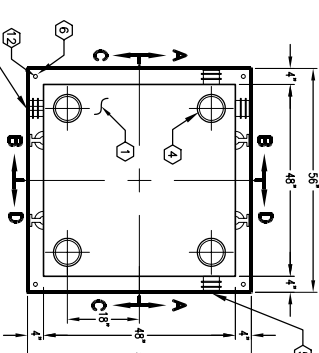
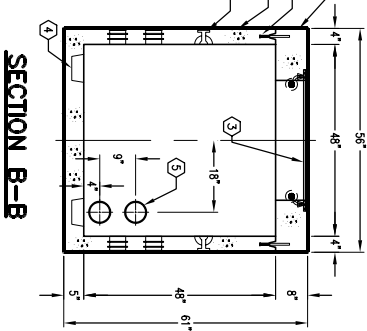
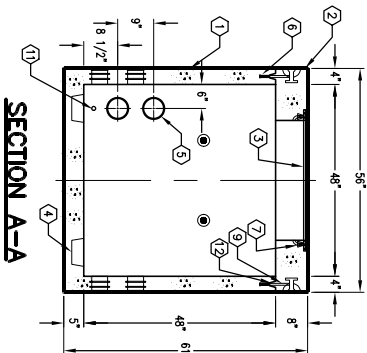
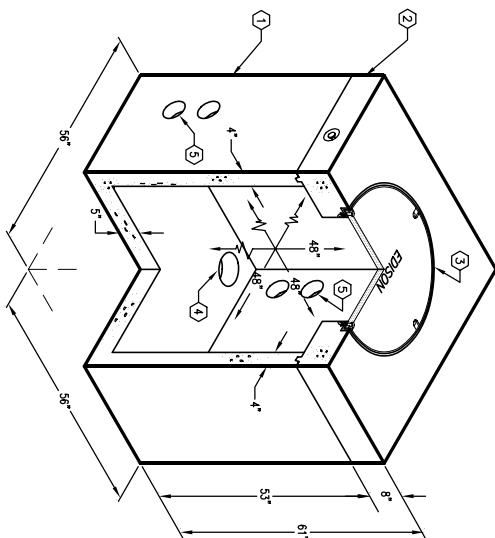
ORDERING INFORMATION:

K44-SE48-11P FOR ASSEMBLY AS SHOWN. APPROVED FOR ALL EDISON SPEC. U.S.S.-564. TOTAL WEIGHT OF ASSEMBLY IS 9,586 LBS.

GENERAL NOTES:

1. Minimum soil bearing capacity is hereby assumed to be 2000 PSF unless otherwise documented by a geotechnical report that shall be provided to Jensen Precast by the user. The user shall not be held responsible for the soil bearing capacity. Installation of Manholes, Vaults, Handholes, Meter Boxes etc. will be as per Jensen installation procedures.
2. Structural modification to the Jensen line of products is not permitted without prior written approval from Jensen Engineering Department. Do not scale the drawings, verify all dimensions including rough openings, if any discrepancies are found, notify the Jensen Engineer
3. Immediately, the Engineer will interpret the intent of the drawings in case of possible conflict or discrepancy.
4. Permissible Variations: Dimensional Tolerances – The length, width, height, or dia. measurements of the structure when measured on the inside surfaces shall not deviate from design dimensions by more than the following:
Tolerance:
0 to 5 Feet 1/4"
5 to 10 Feet 3/8"
10 to 20 Feet as agreed upon between the supplier and purchaser.
Squariness Tolerance: The inside of the precast concrete component shall be square as determined by diagonal measurements. The difference between such measurements shall not exceed the following:
Measured Length: Allowable Difference
0 to 10 Feet 1/2"
10 to 20 Feet 3/4"
20 Feet and over as agreed upon between the supplier and purchaser.

1. PB44-848-11, 48" BOTTOM SECTION, WT. 4,830 LBS.
2. PB44-78-11, 8" TOP SLAB, W/ CAST-IN A-1106 30" DIA. CAST IRON FRAME, WT. 1,780 LBS.
3. A-1106 30" DIA. RPM COVER MARKED EDISON*, WTG.76 LBS.
4. 6" DIA. CORE, 11" DEEP, BOTTOM SECTION
5. 5" DIA. TERMINATORS, LOCATE AS FOLLOWS: BOTTOM SECTION (8) SHELL MTD.
6. (4) GROOVE FORMER, MTD. CLEAN-OUT HOLES, LOCATE AS FOLLOWS: TOP SLAB (4) FRAME MTD.
7. 3/4" DIA. ADJUSTING BOLTS, LOCATE AS FOLLOWS: TOP SLAB (4) FRAME MTD.
8. 3/4" DIA. ADJUSTING BOLTS, LOCATE AS FOLLOWS: TOP SLAB (4) FRAME MTD.
9. 1" DIA. SCHEDULE 40 PIG CONDUIT, LOCATE AS FOLLOWS: BOTTOM SECTION (2) CORE MTD.
10. 1/2" x 5" ADJUSTING BOLTS LOCATE AS FOLLOWS: BOTTOM SECTION (4) SURFACE MTD.



MINIMUM EXCAVATION SIZE:
5'-6" x 5'-6" x DEPTH REQ'D.

K44-SE48-11P

PER EDISON SPEC. U.S.S.-564 03-01-02



DATE	DESCRIPTION	BY

K44-SE48-11P

PER EDISON SPEC. U.S.S.-564 03-01-02