

4'-0" x 6'-6" EDISON DUCTED MANHOLE x 66" DEEP

- NOTES:**
- MANHOLE DESIGNED IN ACCORDANCE WITH ASHTO H-20-44 TRAFFIC BRIDGE LOADINGS. 5,500 PSI (37,920 KPa) COMPRESSIVE STRENGTH CONCRETE AND 60,000 PSI (4,132 MPa) YIELD STRENGTH ASTM A-706 STEEL REINFORCEMENT PER CALCS. #31865.
 - MANHOLE TO BE PLACED ON A MIN. 6" BASE OF CRUSHER RUN FOR EASE OF INSTALLATION AND EVEN LOAD DISTRIBUTION.
 - LIMIT OF COVER OVER TOP SLAB IS 1'-6" TO 4'-0".
 - THE FOLLOWING MATERIAL TO BE SHIPPED WITH MANHOLE:
 - 7/8" x 1 3/4" CONSEAL GASKET (45 FT. REQ'D.).

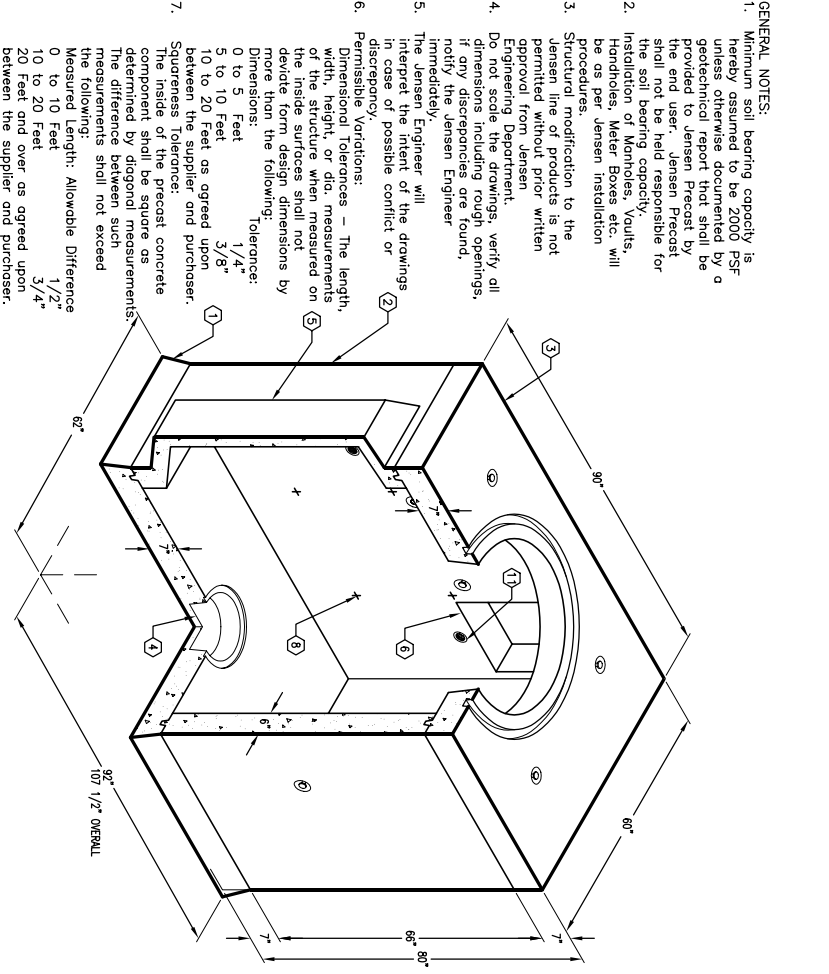
ORDERING INFORMATION:

K466DM6-11 FOR ASSEMBLY AS SHOWN, APPROVED FOR EDISON SPEC. USG 300 M-1 TOTAL WEIGHT OF ASSEMBLY SHOWN IS 14,640 Lbs.

- GENERAL NOTES:**
- Minimum soil bearing capacity is hereby assumed to be 2000 PSF unless otherwise documented by a geotechnical report that shall be provided to Jensen Precast by the end user. Jensen Precast shall not be held responsible for the soil bearing capacity.
 - Insulation of Manholes, Vaults, Bored Piles, Water Boxes, etc. will be per Jensen Insulation procedures.
 - Structural modification to the Jensen line of products is not permitted without prior written approval from Jensen Engineering Department. Do not scale the drawings; verify all dimensions including rough openings, if any discrepancies are found, notify the Jensen Engineer immediately.
 - The Jensen Engineer will interpret the intent of the drawings in case of possible conflict or discrepancy.
 - Permissible Tolerances - The length, width, height, or dia. measurements of the inside surfaces shall not deviate from design dimensions by more than the following:

Dimensions:	Tolerances:
0 to 5 Feet	1/4"
5 to 10 Feet	3/8"
10 to 20 Feet	1/2"
 - Squareness Tolerances: The inside of the precast concrete component shall be square as determined by diagonal measurements; the difference between such measurements shall not exceed the following:

Measured Length:	Allowable Difference
0 to 10 Feet	1/2"
10 to 20 Feet	3/4"

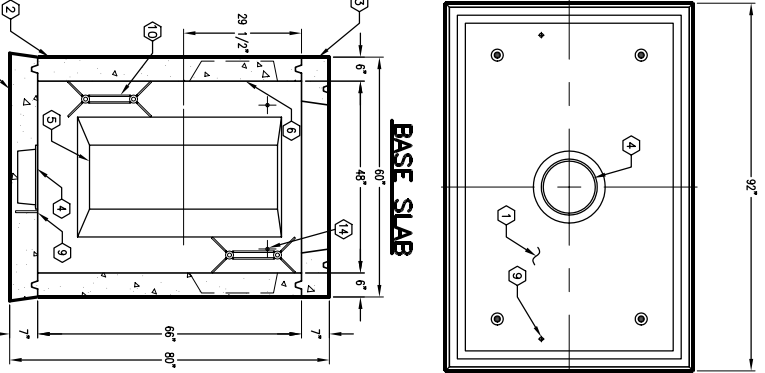
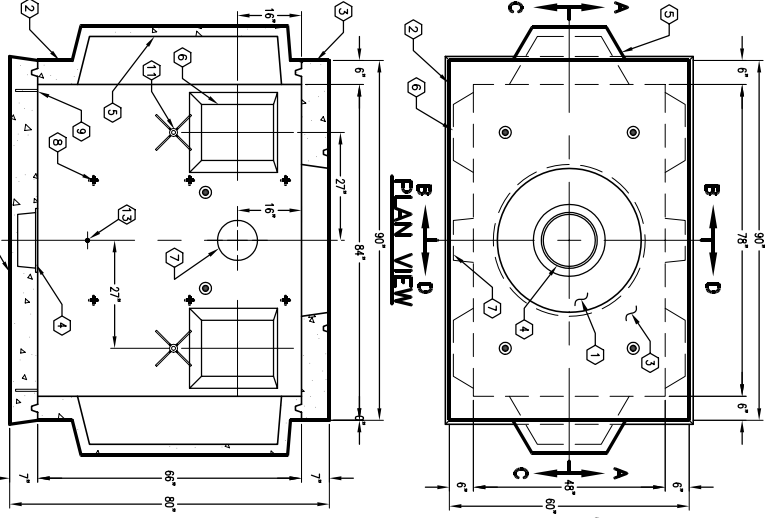
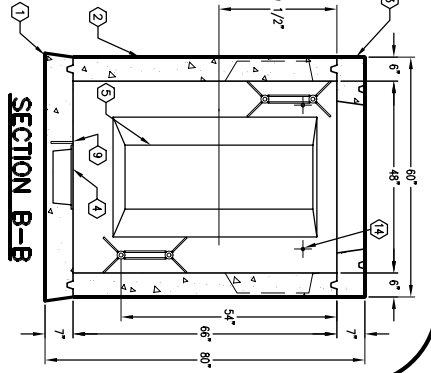
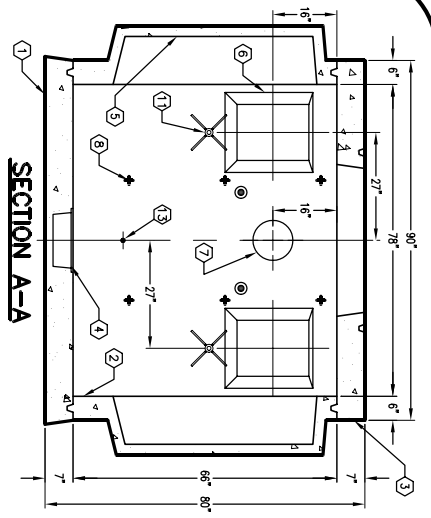


AUTOCAD, REV. 14

K466-DM66-11
PER EDISON SPEC. USG 300 M-1

MANHOLE EXPOSURE SIZE
4'-0" x 10'-0" x 66" DEEP

03-01-02



DATE	DESCRIPTION	BY

K466-DM66-11
PER EDISON SPEC. USG 300 M-1

03-01-02