

2'-0" x 3'-0" EDISON INTERCEPT BOX x 3'-0" DEEP

NOTES:

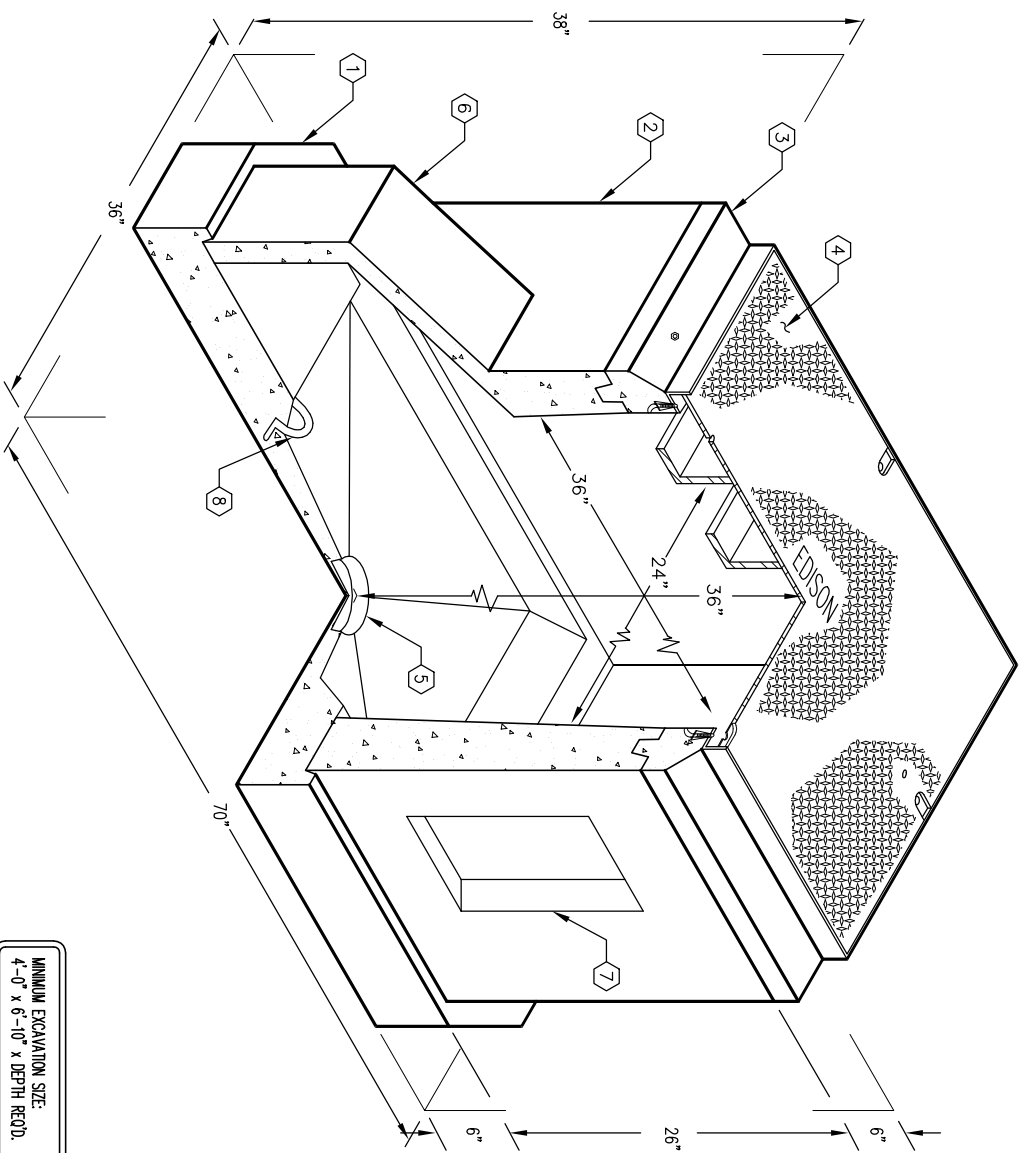
- INTERCEPT BOX DESIGNED IN ACCORDANCE WITH ASHTO H-20-44 TRAFFIC BRIDGE LOADING USING 5,500 PSI COMPRESSIVE STRENGTH CONCRETE AND 60,000 PSI YIELD STRENGTH ASTM A-706 STEEL REINFORCEMENT.
- INTERCEPT BOX TO BE PLACED ON A MIN. 6" BASE OF CRUSHER RUN FOR EASE OF INSTALLATION AND EVEN LOAD DISTRIBUTION.

ORDERING INFORMATION:

PER EDISON SPEC. UGS 215.1 PB-2
TOTAL WEIGHT OF ASSEMBLY SHOWN IS 2,226 Lbs.

PARKWAY ASSEMBLY WITH RPM COVER K2436-DI36-11P.
LIGHT TRAFFIC ASSEMBLY WITH STEEL COVER K2436-DI36-11T.

1. PB2436-B-05, 3" BASE SECTION, WT. 953 lbs.
2. PB2436D-I27-05, 27" INTERMEDIATE SECTION, WT. 954 lbs.
3. PB2436-127-05, 27" TOP SECTION W/ F2436-PB-ANG GALV. FRAME CAST IN, WT. 185 lbs.
- 4A. SC2436-TGV, ONE PIECE BOLTDOWN TRAFFIC COVER, GALVANIZED FINISH, MARKED "EDISON", WT. 134 lbs. (AS SHOWN)
- B. 12-20-10, ONE PIECE RPM PARKWAY COVER, MARKED "EDISON", (NOT SHOWN)
5. 6" x 6 1/2" DIA. SUMP x 1" DEEP.
6. 11" x 11" DIA. DUCT K.O. x 13 1/2" DEEP, INT. SECTION.
7. 8" x 16" K.O. x 3" DEEP, INT. SECTION.
8. 7/8" DIA. PULL IRON, BASE SECTION.
9. 1/2" x 5" ADJUSTING BOLT W/NUT ASSEMBLY, TOP SECTION.
10. 1/2" PLASTIC INSERT, INTERMEDIATE SECTION.
11. 1/2" P-35-T INSERT, W/CLEAN-OUT HOLE, TOP SECTION.
12. 1" DIA. GROUND KNOCKOUT HOLE, BASE SECTION.



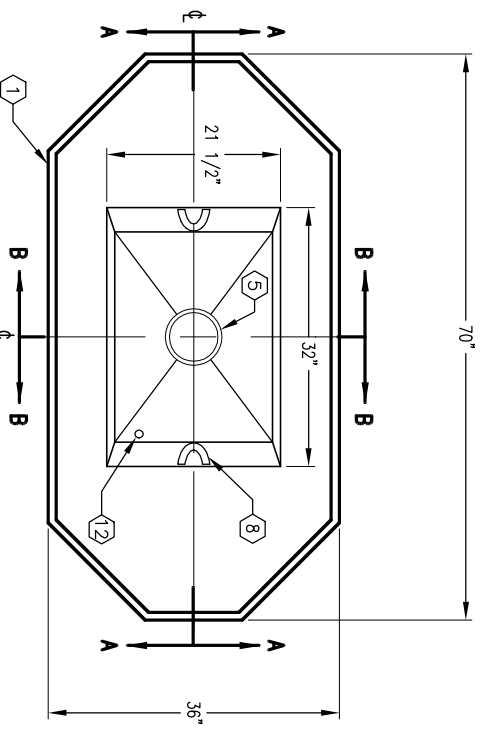
MINIMUM EXCAVATION SIZE:
4'-0" x 6'-10" x DEPTH REQ'D.



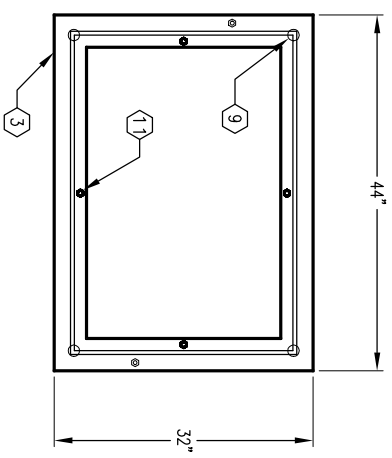
AUTOCAD REL. 14

#	DATE	DESCRIPTION	BY

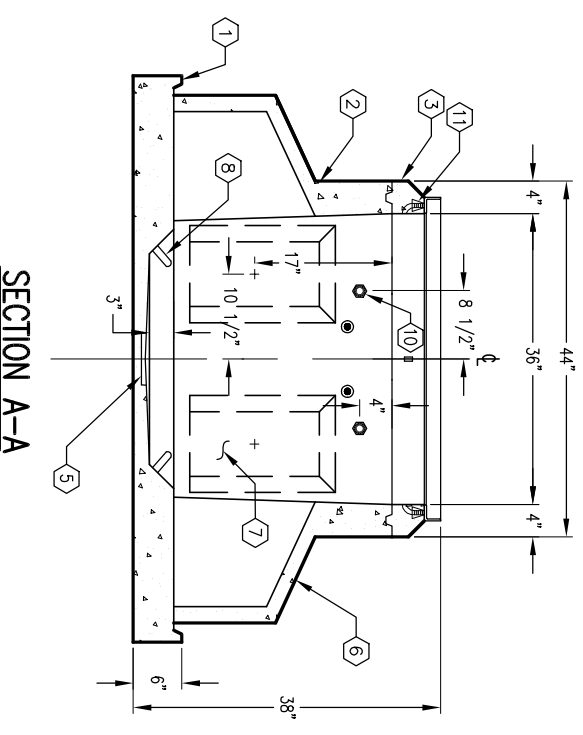
K2436-DI36-11
PER EDISON SPEC. UGS 215, PB-2
03-01-02



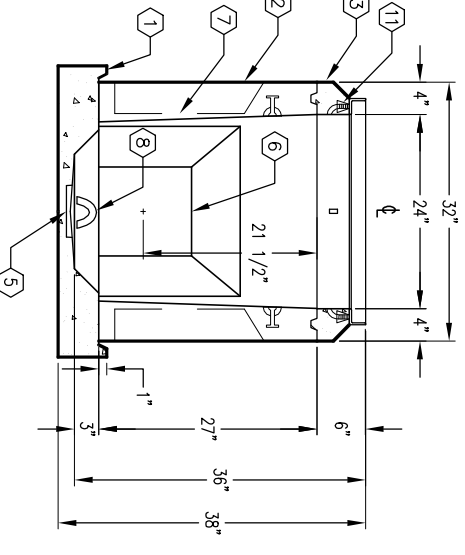
PLAN VIEW BOTTOM SECTION



PLAN VIEW TOP SECTION



SECTION A-A



SECTION B-B



AUTOCAD REL. 14

#	DATE	DESCRIPTION	BY

K2436-DI36-11
PER EDISON SPEC. UGS 215, PB-2
03-01-02