

2'-6" x 4'-0" HEAVY TRAFFIC EDISON DUCTED PULL BOX x 3'-8" DEEP

NOTES:

- PULL BOX DESIGNED IN ACCORDANCE WITH AASHTO H-20-44 TRAFFIC BRIDGE LOADING USING S500 P.51.000 RESISTIVE, FIVE EIGHT CONCRETE AND 90 DOD. MINIMUM STRENGTH ASTM A-706 STEEL REINFORCING.
- CAST IRON COVER DESIGNED FOR H-20-44 HEAVY TRAFFIC LOADING.
- PULL BOX TO BE PLACED ON A MIN. 6" BASE OF CRUSHER RUN FOR EASE OF INSTALLATION AND EVEN LOAD DISTRIBUTION.

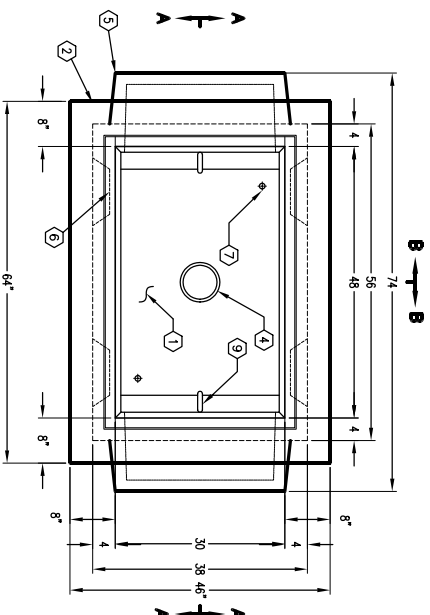
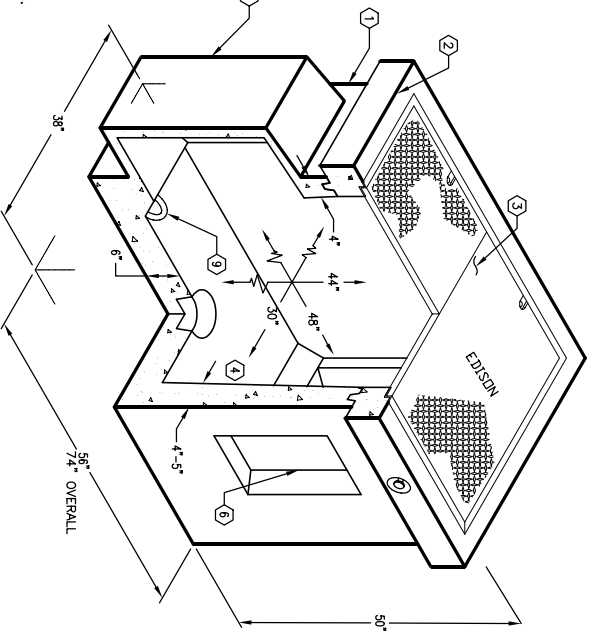
ORDERING INFORMATION:

K3048DP44-TCI-11 FOR ASSEMBLY AS SHOWN.
TOTAL WEIGHT OF ASSEMBLY SHOWN IS 4,860 lbs.

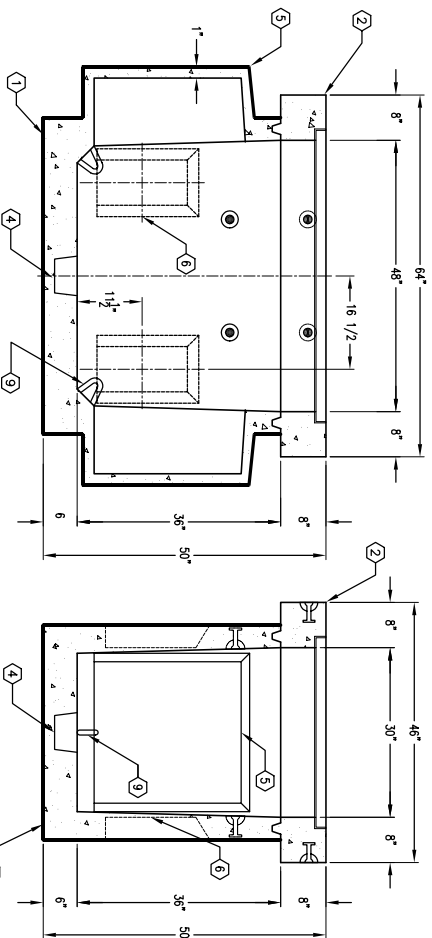
1. PB3048D-836-05, 36" BOTTOM SECTION, WT. 2,936 lbs.
2. PB3048-18-11, 8" TOP SLAB, WT. 1,180 lbs.
3. W/CAST IRON FRAME CAST IN, WT. 1,180 lbs. CAST IRON FRAME CAST IN, WT. 1,180 lbs. CAST IRON FRAME CAST IN TOP SECTION W/ TWO PIECE C.I. COVER EDISON, WT. 740 lbs.
4. 6" x 7" DIA. SUMP x 4" DEEP, BOTTOM SECTION.
5. 25" x 26" DUCTED K.O. x 12" DEEP, BOTTOM SECTION.
6. 8" x 16" K.O. x 3" DEEP, BOTTOM SECTION.
7. 1" DIA. BLIND GROUND ROD HOLE, BOTTOM SECTION.
9. 7/8" DIA. x 9" GALV. VERTICAL PULL IRON, BOTTOM SECTION.

GENERAL NOTES:

1. Minimum soil bearing capacity is hereby assumed to be 2000 PSF unless otherwise documented by a geotechnical report that shall be provided to Jensen Precast by the end user. Jensen Precast shall not be held responsible for the soil bearing capacity.
2. Installation of Manholes, Vaults, Handholes, Meter Boxes etc. will be as per Jensen installation procedures.
3. Structural modification to the Jensen line of products is not permitted without prior written approval from the Engineering Department.
4. Do not scale the drawings. Verify all dimensions including rough openings, if any discrepancies are found, notify the Jensen Engineer immediately.
5. The Jensen Engineer will interpret the intent of the drawings in the event of a possible conflict or discrepancy.
6. Permissible Variations:
Dimensional Tolerances - The length, width, height, or dia. measurements of the structure when measured on the inside surfaces shall not deviate from design dimensions by the following: Tolerance:
0 to 5 Feet: 1/4"
5 to 10 Feet: 3/8"
10 to 20 Feet as agreed upon between the supplier and purchaser.
Squariness Tolerance:
The inside of the precast concrete component shall be square as determined by diagonal measurements. The difference between such measurements shall not exceed the following:
Measured Length: Allowable Difference
0 to 10 Feet: 1/2"
10 to 20 Feet: 3/4"
20 Feet and over as agreed upon between the supplier and purchaser.
- 7.



PLAN VIEW



SECTION A-A

SECTION B-B

MINIMUM DIMENSION SIZE:
4'-2" x 7'-2" x 18" DEPT. REQD.

K3048DP44-TCI-11

#	DATE	DESCRIPTION	BY

EDISON

10-02-03

JENSEN
PRECAST

AUTOCAD REL. 14

JENSEN
PRECAST

AUTOCAD REL. 14

K3048DP44-TCI-11

#	DATE	DESCRIPTION	BY

EDISON

10-02-03