

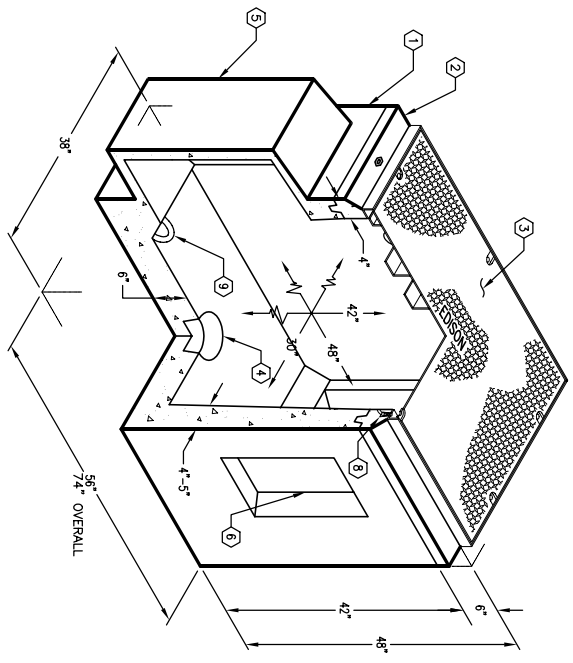
2'-6" x 4'-0" EDISON DUCTED PULL BOX x 3'-6" DEEP

NOTES:

1. PB3048D-B36-05, 36" BOTTOM SECTION, WT. 2,936 lbs.
2. PB3048-T6E, 6" TOP SECTION, W/GALV. ANGLE FRAME CAST IN, WT. 213 lbs.
- 3A. SC3048-TGV, ONE PIECE TRAFFIC COVER, GALVANIZED FINISH, MARKED "EDISON", WT. 270 lbs. (AS SHOWN).
- 3B. SC3048-TGV, PIECE RPM PARKWAY COVER, MARKED "EDISON", WT. 250 lbs. (NOT SHOWN).
4. 6" x 7" DIA. SLUMP x 4" DEEP, BOTTOM SECTION.
5. 25" x 26" DUCTED K.O. x 12" DEEP, BOTTOM SECTION.
6. 8" x 16" K.O. x 3" DEEP, BOTTOM SECTION.
7. 1" DIA. BLIND GROUND ROD HOLE, BOTTOM SECTION.
8. 1/2" P-35-TB INSERT W/CLEAN-OUT HOLE, TOP SECTION.
9. 7/8" DIA. x 9" GALV. VERTICAL PULL IRON, BOTTOM SECTION.

ORDERING INFORMATION:
 APPROVED FOR EDISON SPEC. US 2201 PB-4.
 TOTAL WEIGHT OF ASSEMBLY SHOWN IS 3,419 lbs.

PARKWAY ASSEMBLY WITH RPM COVER K3048-DP42-11P LIGHT TRAFFIC ASSEMBLY WITH STEEL COVER K3048-DP42-11L

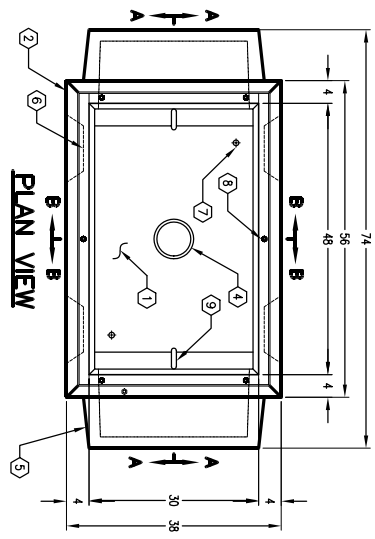


MINIMUM DIMENSION SIZE:
 4'-2" x 7'-2" x 1' DEPTH MIN.

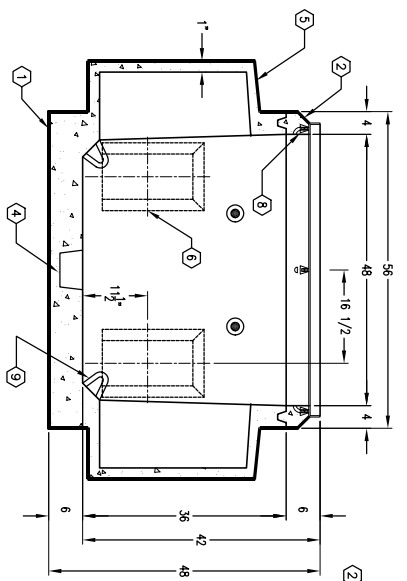


DATE	DESCRIPTION	BY

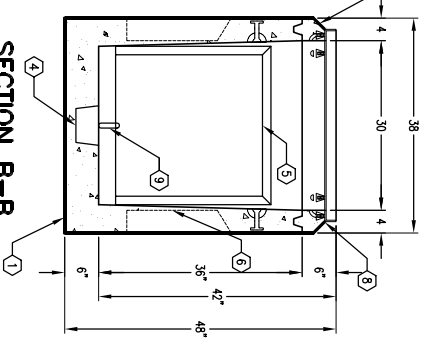
K3048-DP42-11
 PER EDISON SPEC. US 2201 PB-4
 03-01-02



PLAN VIEW



SECTION A-A



SECTION B-B



DATE	DESCRIPTION	BY

K3048-DP42-11
 PER EDISON SPEC. US 2201 PB-4
 03-01-02