

4'-0" x 5'-0" EDISON PARKWAY VAULT NECK WITH CONCRETE COVER

NOTES:

■ CONCRETE IN ACCORDANCE WITH AASHTO H-20-44 TRAFFIC LOADING USING 5,500 PSI [37.92MPa] COMPRESSIVE STRENGTH CONCRETE AND 60,000 PSI [413.2MPa] YIELD STRENGTH GRADE 60 A-706 STEEL REINFORCEMENT PER CALCS. #31635.

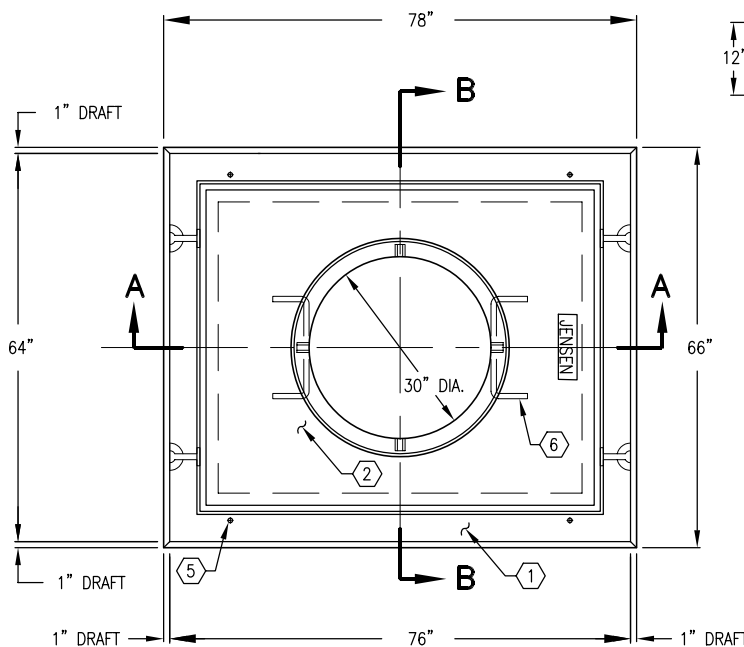
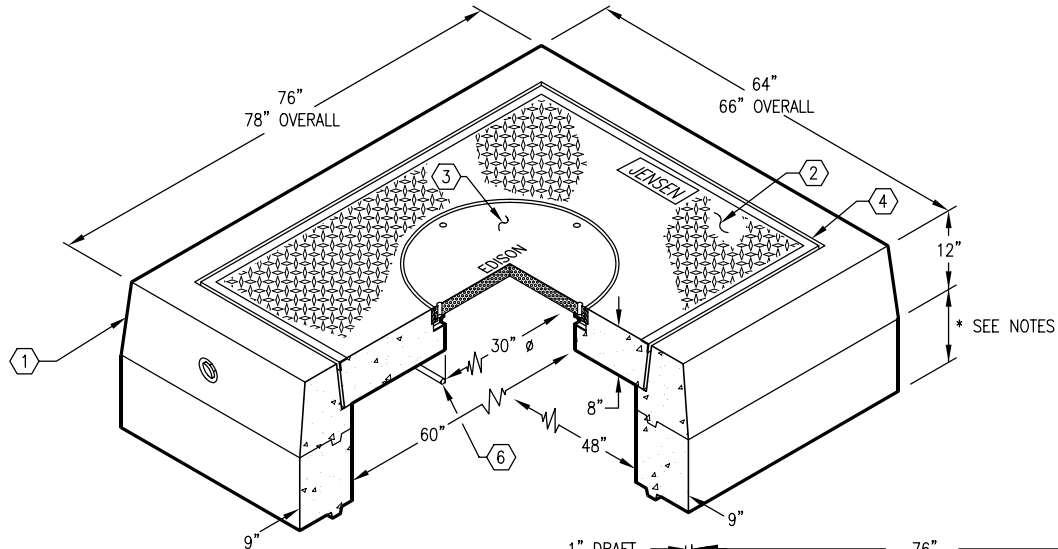
*EXTENSION ARE AVAILABLE IN THE FOLLOWING SIZES:

- A) VN45-R6, 6" RISER SECTION (345-1834-1). WT. 1,200 Lbs.
- B) VN45-R12, 12" RISER SECTION (345-1834-3). WT. 2,400 Lbs.

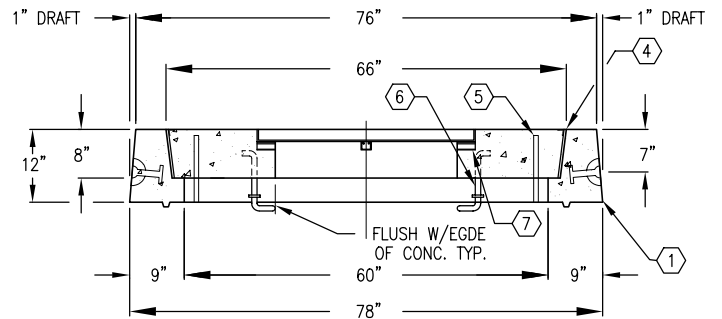
1. VN45-N12-11, 12" NECK SECTION. WT. 1,949 Lbs.
2. VN45-T8-11, 8" COVER SECTION W/CAST-IN A-1106 RING. SURFACE TO BE DIAMOND PLATE IMPRINT. WT. 1,984 Lbs.
3. A-1106, 30" DIAMETER RPM COVER MARKED "EDISON". WT. 76 Lbs.
4. 3/8" x 8" EXPANDED FELT.
5. 3/4" COIL THREADED ADJUSTING BOLT HOLE x 10 1/2" LONG. LOCATE AS FOLLOWS: NECK SECTION, (4) TONGUE FORMER MTD.
6. 3/4" DIAMETER GALVANIZED STRESS RELIEVED LADDER RUNG WITH (2) 1/4" THICK x 2" O.D. WASHERS. LOCATE AS FOLLOWS: COVER SECTION (2) SURFACE MTD.
7. BOLT HOLE CLEAN OUTS (4 PLACES).

ORDERING INFORMATION:

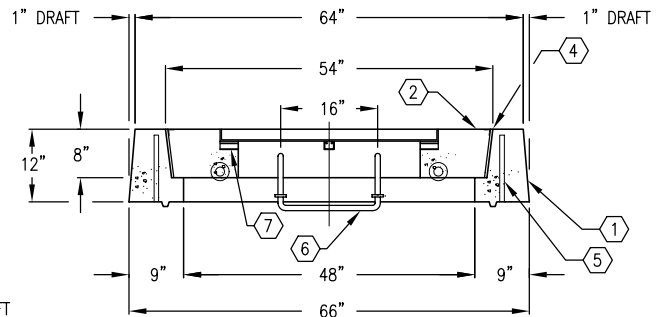
K45-VN12-11P FOR ASSEMBLY AS SHOWN.
 APPROVED FOR EDISON SPEC. UGS 470 & UGS 660.
 TOTAL WEIGHT FOR ASSEMBLY AS SHOWN IS 4,009 Lbs.



PLAN VIEW



SECTION A-A



SECTION B-B



#	DATE	DESCRIPTION	BY

K45-VN12-11P