

30" DIA. EDISON MANHOLE TRAFFIC COVER & NECK x 14" DEEP

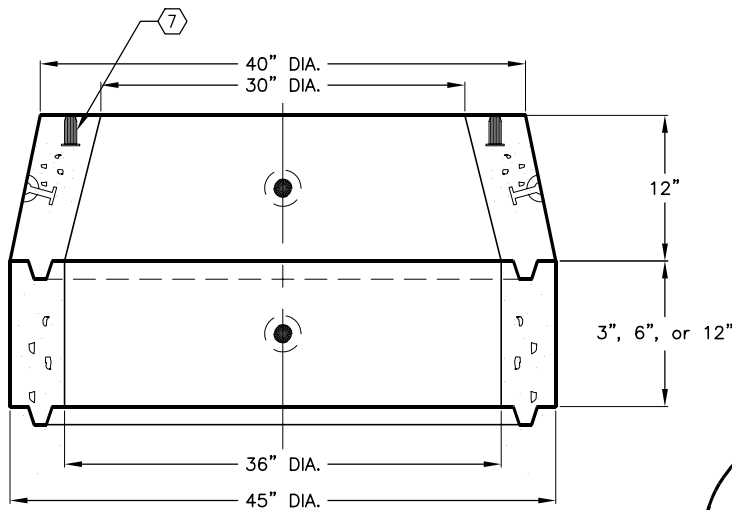
NOTES:

■ CONCRETE DESIGNED IN ACCORDANCE WITH AASHTO HS 20-44 TRAFFIC BRIDGE LOADING USING 5,500 PSI COMPRESSIVE STRENGTH CONCRETE AND 60,000 PSI YIELD STRENGTH ASTM A-706 STEEL REINFORCING PER CALCS. #31637.

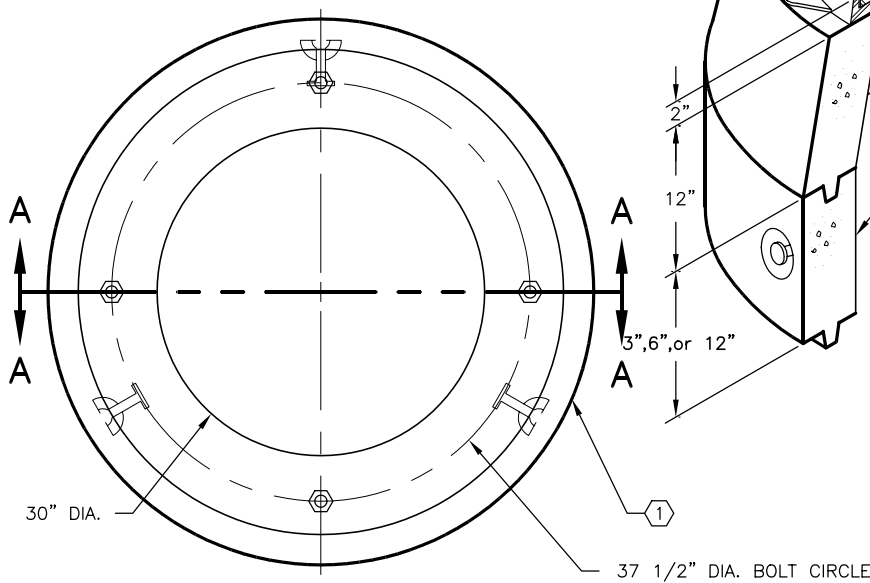
ORDERING INFORMATION:

K36-MN14-11T FOR ASSEMBLY AS SHOWN
PER EDISON SPEC. UGS 318
TOTAL WEIGHT OF ASSEMBLY IS 1,135#.

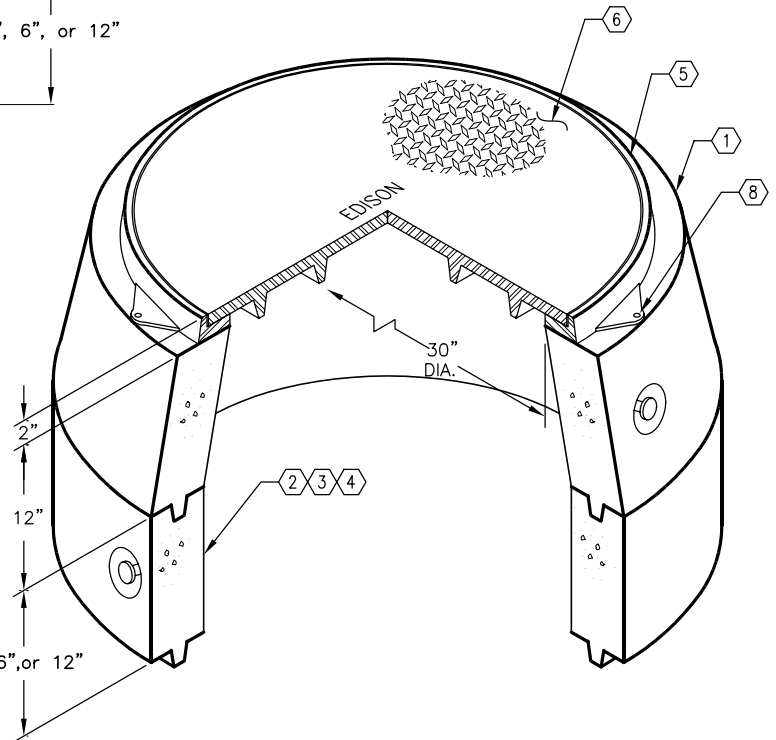
1. MN36-N12, 12" CONE/NECK SECTION. WT. 430#.
2. MN36-R3, 3" RISER RING. WT. 146#.
3. MN36-R6, 6" RISER RING. WT. 301#.
4. MN36-R12, 12" RISER RING. WT. 602#.
5. 30" DIA. A-1106 CAST IRON RING. WT. 95#.
6. 30" DIA. A-1106 CAST IRON TRAFFIC COVER. MARK "EDISON" WT. 290#.
7. 1/2" P-36-T INSERT, NECK SECTION (4) SURFACE MTD.
8. 1/2" x 5" ADJUSTING BOLT W/(2) NUTS & WASHERS EACH. (4) REQ'D.
10. 5/8" x 1 1/2" STAINLESS STEEL HEX HEAD BOLT. (4) REQ'D.



SECTION A-A



PLAN VIEW



#	DATE	DESCRIPTION	BY

K36-MN14-11T