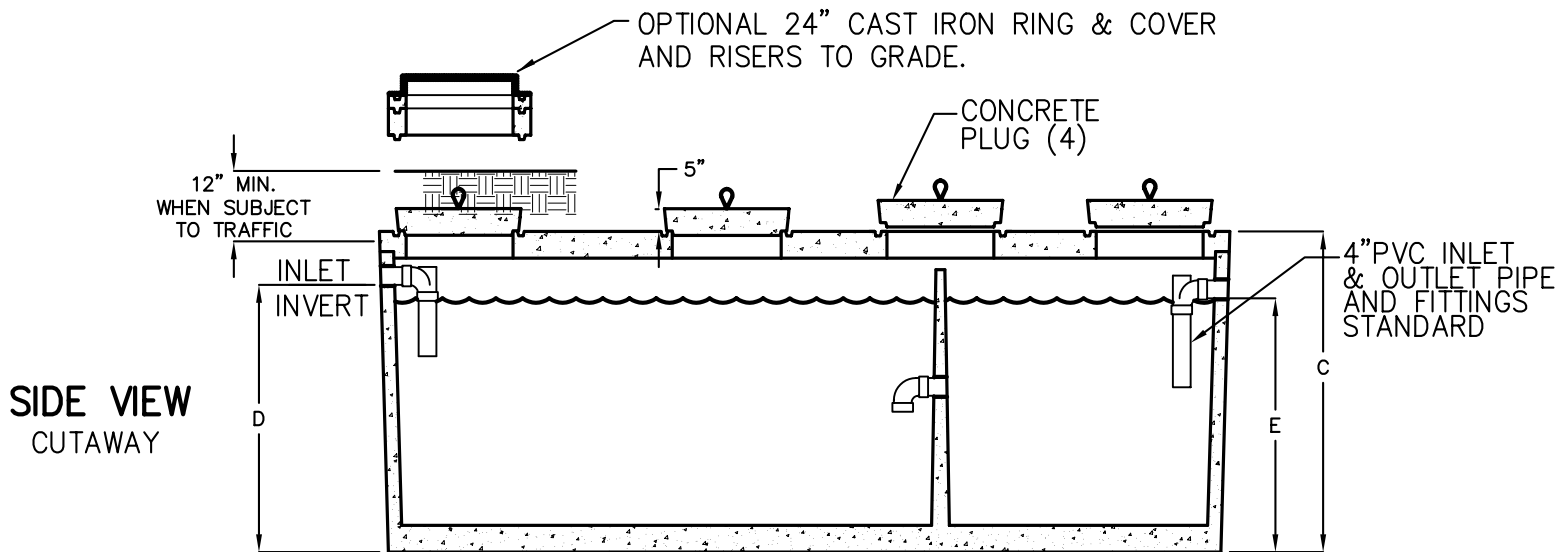
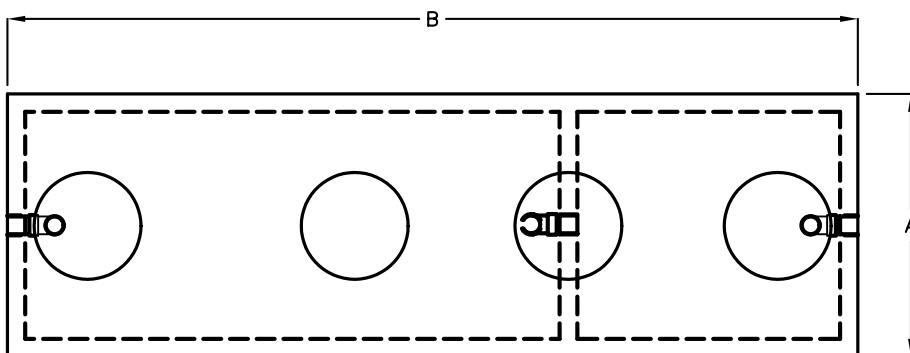


# 2000-3000 GALLON RESIDENTIAL SEPTIC TANKS

TRAFFIC RATED ACCEPTED BY UPC.



**TOP VIEW**  
(COVERS REMOVED)



MODEL NUMBER	LIQUID CAPACITY GALLONS	WIDTH 'A'	OVERALL LENGTH 'B'	TANK HEIGHT 'C'	INLET 'D'	OUTLET 'E'	MINIMUM EXCAVATION WIDTH	MINIMUM EXCAVATION LENGTH	TANK WEIGHT LBS.
JP-2000	2000	4'-11"	15'-11"	6'-0"	5'-0"	4'-9"	5'-11"	16'-11"	19,100
JZ-2500	2500	5'-9"	16'-10"	6'-0"	5'-0"	4'-9"	6'-9"	17'-10"	22,700
JZ-3000	3000	5'-9"	16'-10"	6'-9"	5'-9"	5'-6"	6'-9"	17'-10"	24,100

TANK DESIGNED FOR H-20 TRAFFIC WHEEL LOAD WITH DRY SOIL CONDITIONS (WATER TABLE BELOW TANK)  
EARTH COVER OVER TANK NOT TO EXCEED 5 FT.

EFFLUENT FILTERS ARE AVAILABLE UPON REQUEST.

FOR COMPLETE DESIGN AND PRODUCT INFORMATION CONTACT JENSEN PRECAST.

THE DESIGN AND DETAIL OF THIS DRAWING ARE THE PROPERTY OF JENSEN PRECAST AND NOT TO BE USED EXCEPT IN CONNECTION WITH ITS OWN WORK. DESIGN AND INVENTION RIGHTS ARE RESERVED.