

6'-0" x 6'-0" SCG PARKWAY FLOORLESS VAULT (N399780) x 59" DEEP-4" REGULATOR

- NOTES:**
- HANDHOLE DESIGNED IN ACCORDANCE WITH ASHTO H-20-44 TRAFFIC BRIDGE LOADING USING 5,500 PSI [37.92MPa] COMPRESSIVE STRENGTH CONCRETE AND 60,000 PSI [413.2MPa] YIELD STRENGTH ASTM A-706 STEEL REINFORCEMENT PER CALCS. #
 - COVER DESIGNED FOR PARKWAY LOADING 300 PSF.
 - VAULT TO BE PLACED ON A MIN. 6" BASE OF CRUSHER RUN FOR EASE OF INSTALLATION AND EVEN LOAD DISTRIBUTION.
 - (4) 1/2" x 2 1/2" HEX HEAD BOLTS INSTALLED IN 1/2" INSERTS FOR GUARD BAR STORAGE AS SHOWN IN DRAWING.
- ORDERING INFORMATION:**
- 66-FH59-15 FOR ASSEMBLY AS SHOWN,
APPROVED FOR SO. CALIF. GAS CO. I.D. # N399780
TOTAL WEIGHT OF ASSEMBLY SHOWN IS 9,120 Lbs.

1. PB66-L23-R4-15, 23" LOWER SECTION, WT. 3,800 Lbs.
 2. PB66-TR31-R4-15, 31" TOP RING SECTION, WT. 5,038 Lbs.
 3. F66-PB-SA, 6' X 6' SPRING ASSISTED FRAME 5"x3" WT. 262 Lbs.
 4. SC66-PSRCV-15 (2) PIECE SPRING ASSISTED PARKWAY COVER, GALV. SLIP RESISTANT.
 - 6A. 6" DIA. HOLE, (2) CORE MTD. @ JOINT.
 - 6B. 8" DIA. HOLE, (2) CORE MTD. @ JOINT.
 7. 2" DIA. KNOCKOUT x 5" DEEP, TOP SECTION (4) CORE MTD.
 8. 6" x 7" DIA. K.O. x 5" DEEP, TOP & BOTTOM SECTION (1) EACH CORE MTD.
 9. 1 5/8" x 1 5/8" GALV. UNISTRUT x 6" LONG, TOP SECTION (4) CORE MTD.
 10. 1/2" P-35-T INSERT, TOP SECTION (12) PALLET MTD.
 11. LOWER SECTION (4) CORE MTD.
 13. 1/2" PLASTIC INSERT, LOWER SECTION (2) & TOP SECTION (4) CORE MTD.
- 13 GALV. LADDER x 48 1/2" LONG. W/TELESCOPIC LADDER GUIDES.

GENERAL NOTES:

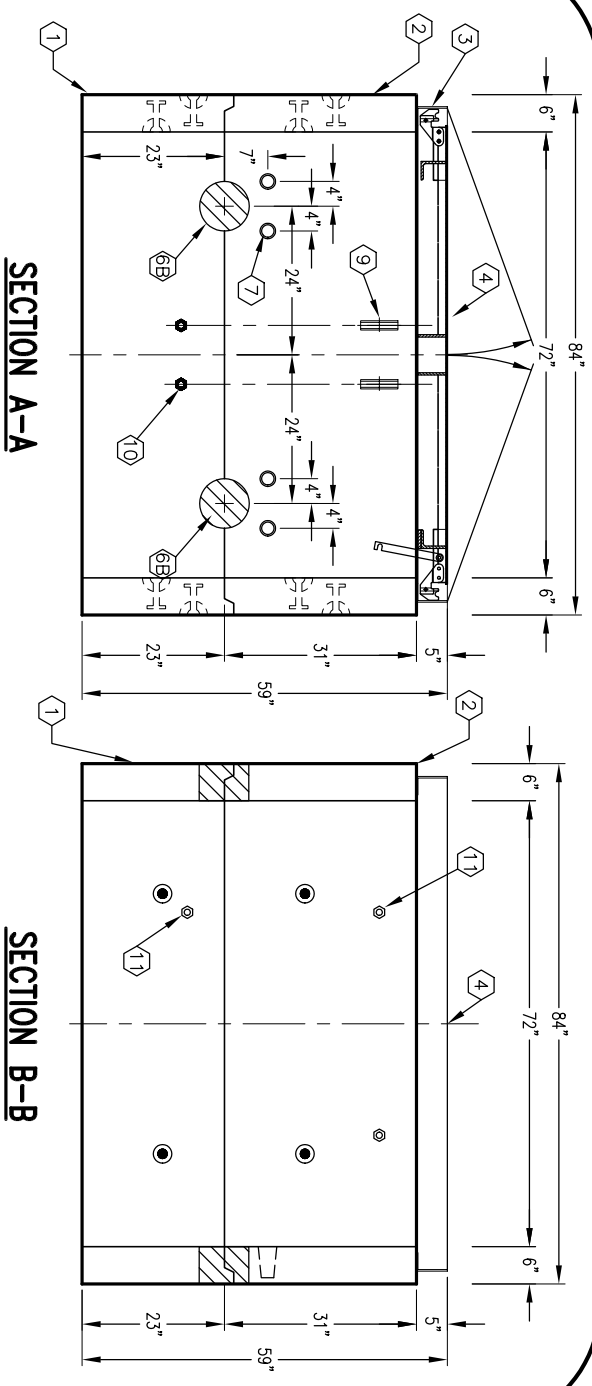
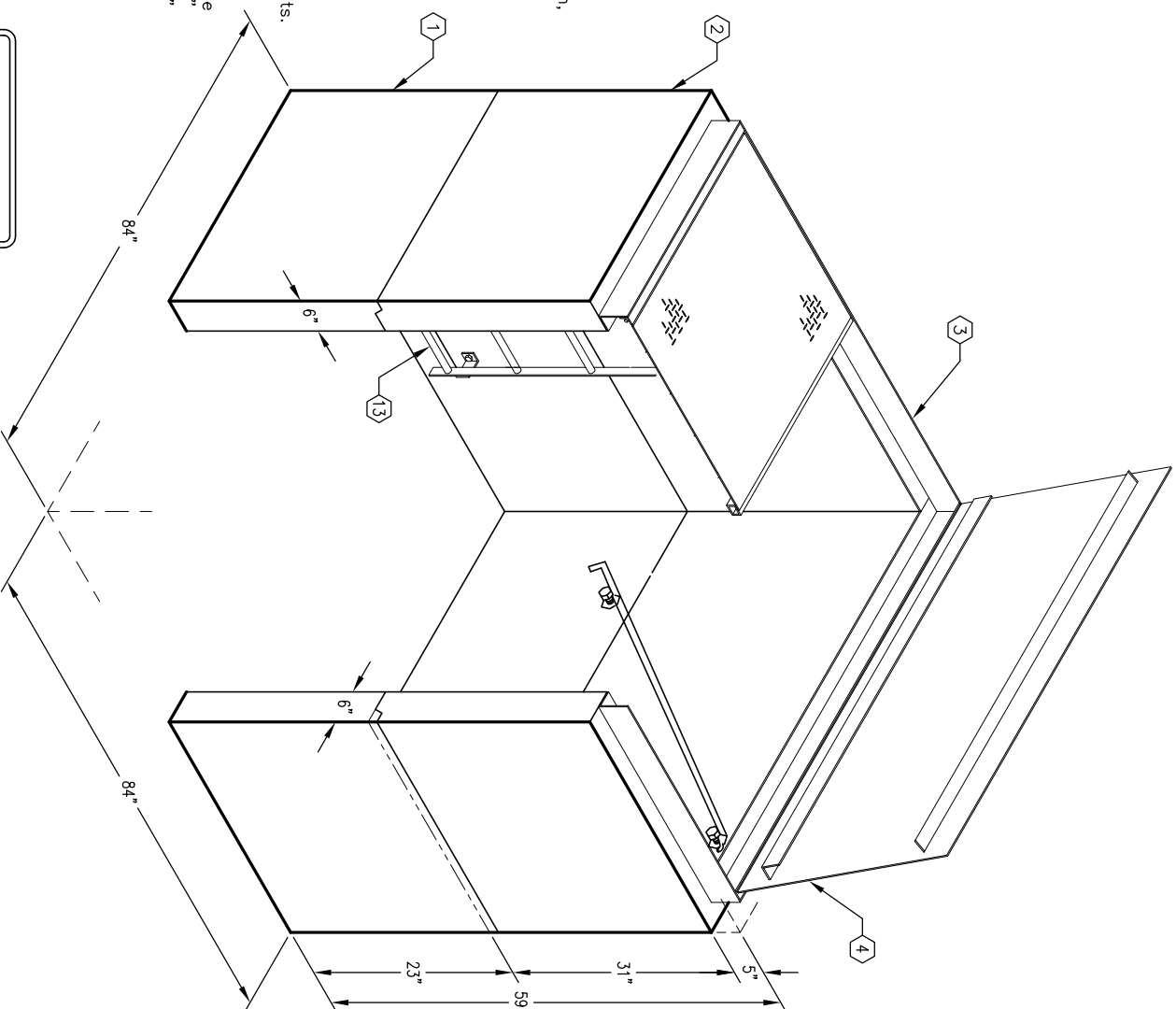
1. Minimum soil bearing capacity is hereby assumed to be 2000 PSF unless otherwise documented by a geotechnical report that shall be provided to Jensen Precast by the end user. Jensen Precast shall not be held responsible for the soil bearing capacity.
2. Installation of Manholes, Vaults, Handholes, Meter Boxes, etc. will be as per Jensen installation procedures.
3. Structural modification to the Jensen line of products is not permitted without prior written approval from Jensen Engineering Department.
4. Do not scale the drawings, verify all dimensions including rough openings, if any discrepancies are found, notify the Jensen Engineer immediately.
5. The Jensen Engineer will interpret the intent of the drawings in case of possible conflict or discrepancy.
6. Permissible Variations:
 - Dimensional Tolerances – The length, width, height, or dia. measurements of the structure when measured on the inside surfaces shall not deviate from design dimensions by more than the following:

Dimensions:	Tolerance:
0 to 5 Feet	1/4"
5 to 10 Feet	3/8"
10 to 20 Feet	3/8"

 between the supplier and purchaser.
 - Squareness Tolerance: The inside of the precast concrete component shall be square as determined by diagonal measurements. The difference between such measurements shall not exceed the following:

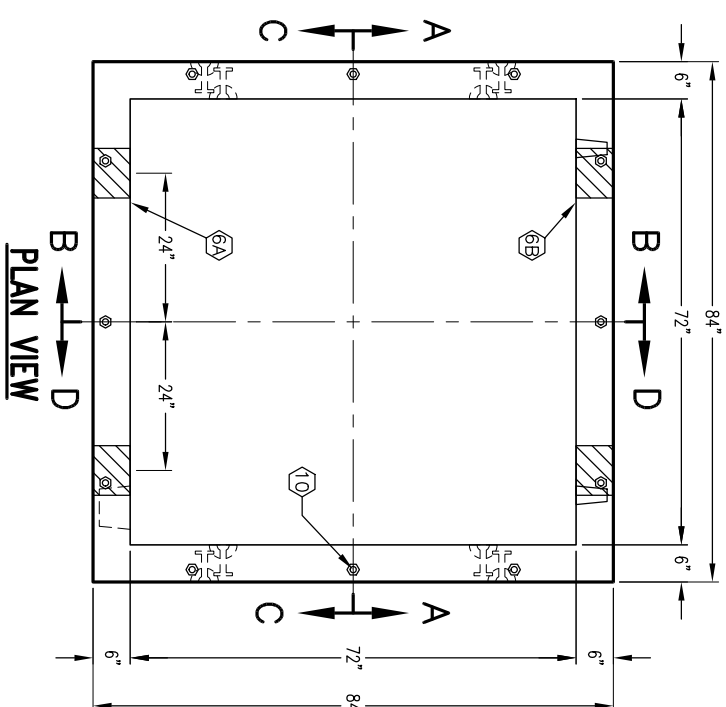
Measured Length:	Allowable Difference
0 to 10 Feet	1/2"
10 to 20 Feet	3/4"

 between the supplier and purchaser.
- 7.

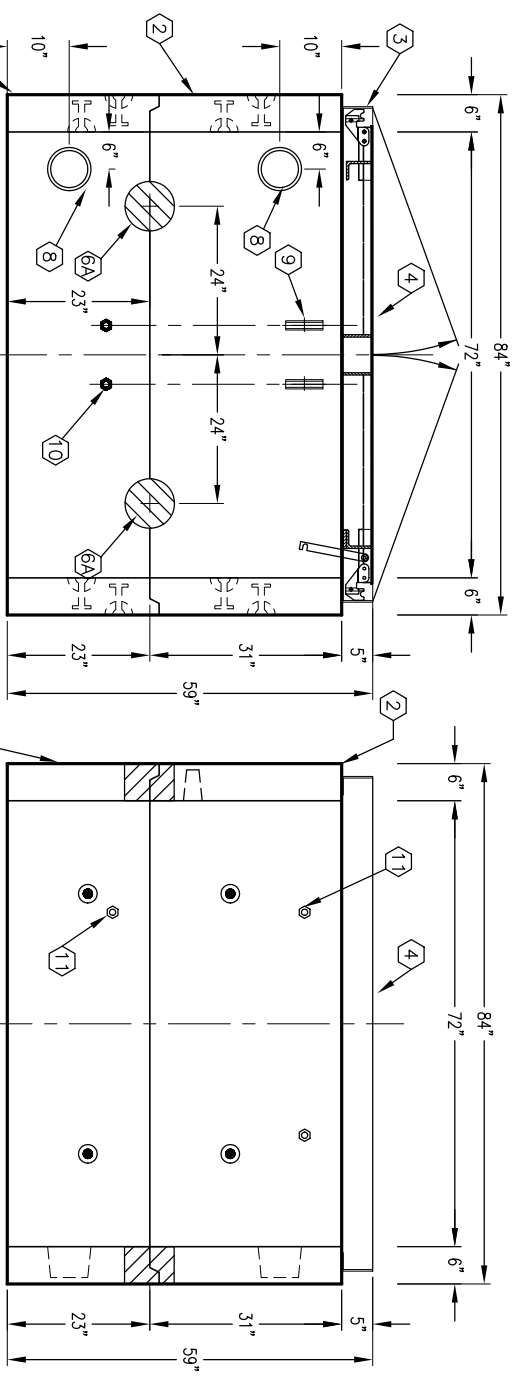


SECTION A-A

SECTION B-B



PLAN VIEW



SECTION C-C

SECTION D-D



AUTOCAD REL. 14

MINIMUM EXCAVATION SIZE:
8'-0" x 8'-0" x DEPTH REQ'D.

K66-FH59-R4-15

PER SO. CAL. GAS CO. SPEC. N399780

03-01-02



#	DATE	DESCRIPTION	BY

K66-FH59-R4-15

PER SO. CAL. GAS CO. SPEC. N399780

03-01-02