

2'-0" x 3'-0" LAUSD TRAFFIC FLAT WALL PULL BOX x 36" DEEP

NOTES:

- CONCRETE DESIGNED IN ACCORDANCE WITH AASHTO H-20-44 TRAFFIC LOADING USING 5,500 PSI [37.92mpa] COMPRESSIVE STRENGTH CONCRETE AND 60,000 PSI [413.2 MPa] YIELD STRENGTH ASTM A-706 STEEL REINFORCEMENT PER CALCS.
- COVER DESIGNED FOR H-20-44 BRIDGE LOADING.
- VAULT TO BE PLACED ON A 6" BASE OF CRUSHER RUN FOR EASE OF INSTALLATION AND EVEN LOAD DISTRIBUTION.

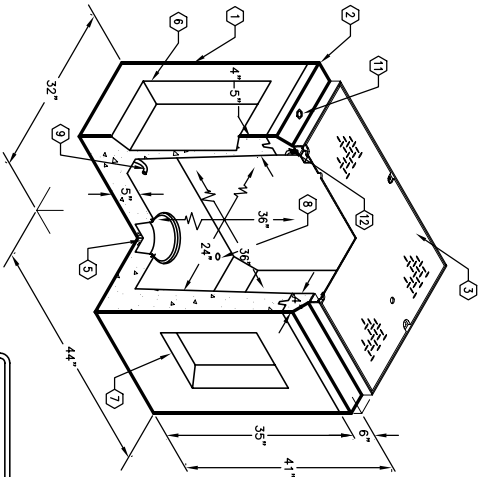
ORDERING INFORMATION:

K2436-FP36-23T (LAUSD) FOR ASSEMBLY AS SHOWN, TOTAL WEIGHT OR ASSEMBLY AS SHOWN 1,460 LBS.

1. PB2436F-B30-05, 30" BOTTOM SECTION.
2. M/F 1,113 LBS., 6" TOP SECTION W/CAST IN (P2436-PB-ANG) GALV. FRAME.
3. P2436-T13, 6" TOP SECTION W/CAST IN (P2436-PB-ANG) GALV. FRAME.
4. SC2436-TSRGV, ONE PIECE TRAFFIC COVER W/(4) 1/2" x 13MC x 2 1/2" S.H.H.S.S. BOLTS. (2) PICK HOLES. GALV. NON-SKID WT. 134 Lbs.
5. 6" x 7" DIA. SUMP x 4" DEEP W/GALV. SUMP COVER.
6. BOTTOM SECTION (1) CORE MTD. DRAFT AS SHOWN.
7. 8" x 16" KNOCKOUT x 3" DEEP. DRAFT AS FOLLOWS.
8. 1" DIA. BLIND THRU GROUND ROD HOLE. BOTTOM SECTION (2)
9. 7/8" DIA. PULL IRON. BOTTOM SECTION (2) CORE MTD.
10. 1" COIL THREAD INSERT. BOTTOM SECTION (2) SHELL MTD.
11. 1/2" P-35-T INSERT. TOP SECTION (2) SHELL MTD.
12. 1/2" P-35-T INSERT W/CLEAN-OUT HOLE. TOP SECTION (4) FRAME MTD.
13. P-5000 INSERT. BOTTOM SECTION (18) CORE MTD.

GENERAL NOTES:

1. The bearing capacity is hereby assumed to be 2000 PSF unless otherwise documented by a geotechnical report that shall be provided to Jensen Precast by the end user. Jensen Precast shall not be responsible for the soil bearing capacity.
2. Installation of Manholes, Vaults, Handholes, Meter Boxes etc. will be as per Jensen installation procedures.
3. Standard modification to the Jensen line of products is not permitted without prior written approval from Jensen Engineering Department.
4. Do not scale the drawings, verify all dimensions and callouts on drawings. If any discrepancies are found, notify the Jensen Engineer immediately.
5. The Jensen Engineer will interpret the intent of the drawings in the event of a possible conflict or discrepancy.
6. Permissible Variations:
Dimensional Tolerances - The length, width, height, or dia. measurements of the structure when measured on device form design dimensions by more than the following:
Tolerance:
0 to 5 Feet 1/4"
5 to 10 Feet 3/8"
10 to 20 Feet as agreed upon by Jensen and purchaser.
Squareness Tolerance: and purchaser.
The inside of the precast concrete component shall be square as determined by diagonal measurements. The difference between such measurements shall not exceed the following:
Measured Length: Allowable Difference 0 to 10 Feet 1/2"
10 to 20 Feet 3/4"
20 Feet and over as agreed upon between the supplier and purchaser.
- 7.



K2436-FP36-23T
LAUSD
10-31-02

JENSEN PRECAST

#	DATE	DESCRIPTION	BY

K2436-FP36-23T
LAUSD
10-31-02

