

# 4'-0" x 4'-0" LADWP TRAFFIC VAULT NECK WITH CONCRETE COVER

**NOTES:**

■ DESIGNED IN ACCORDANCE WITH AASHTO H-20-44 TRAFFIC LOADING USING 5,500 P.S.I. [37.92MPa] COMPRESSIVE STRENGTH CONCRETE AND 60,000 P.S.I. [413.2MPa] YIELD STRENGTH GRADE 60 A-706 STEEL REINFORCEMENT PER CALCS. # 30781.

■ COVER DESIGNED FOR AASHTO H-20-44 TRAFFIC LOADING.

■ CONCRETE MIX USED IN POURING THIS PRODUCT SHALL USE FLY-ASH AS AN ADMIXTURE.

■ EACH CONCRETE SECTION SHALL BE MARKED ON THE INSIDE & OUTSIDE WITH "JENSEN PRECAST", THE DESIGNATION "DWP/FA.", AND THE DATE OF POUR.

■ EACH CONCRETE SECTION SHALL HAVE CAST-IN ON THE INSIDE "JENSEN", THE YEAR, AND THE DESIGNATION "FA".

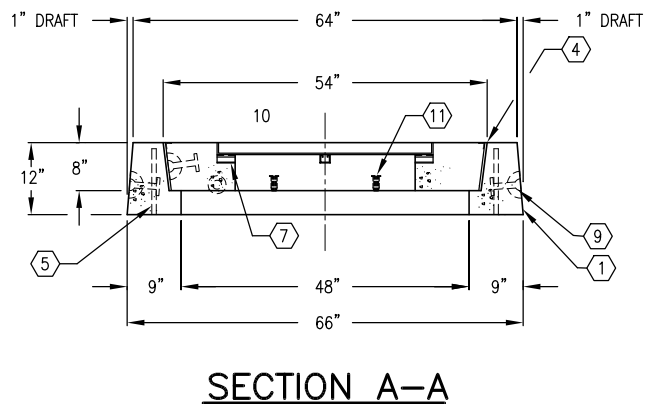
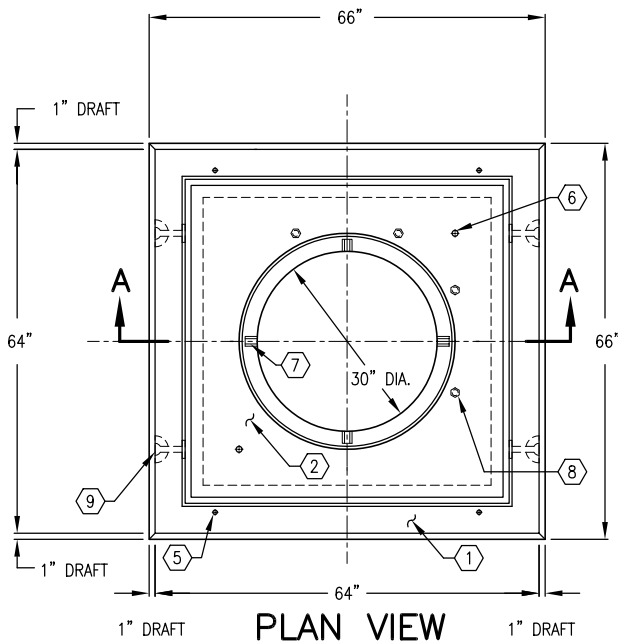
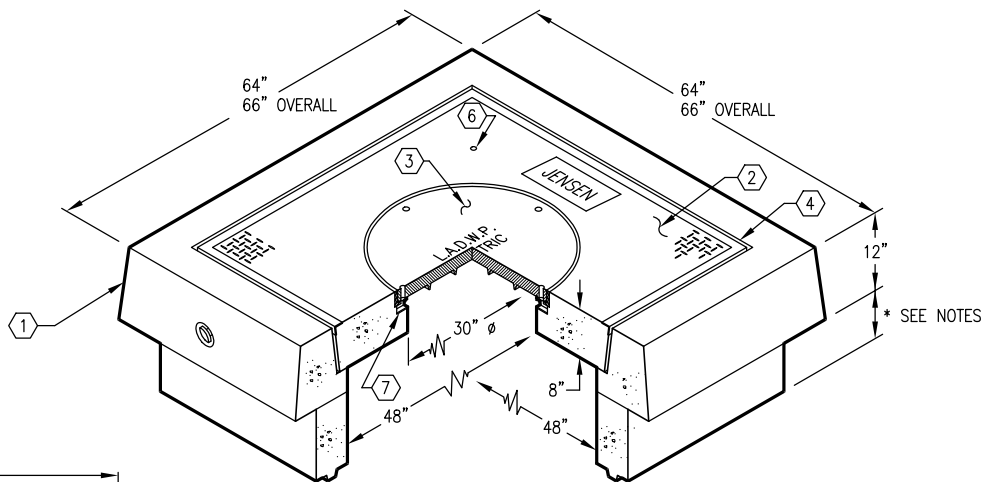
\*EXTENSION ARE AVAILABLE IN THE FOLLOWING SIZES:

- A) VN44-R6-12, 6" EXTENSION SECTION (R-VN44-R6-12). WT. 771#.
- B) VN44-R12-12, 12" EXTENSION SECTION (R-VN44-R12-12). WT. 1,548#.

1. VN44-N12-12, 12" NECK SECTION. WT. 1,613#.
2. VN44-T8-12, 8" COVER SECTION W/CAST-IN A-1106 N/S FRAME, SURFACE TO BE DIAMOND PLATE IMPRINT. WT. 1,534#.
3. A-1106 N/S 30" DIAMETER ALHAMBRA FOUNDRY COVER MARKED "L.A.D.W.P. ELECTRIC", WT. 209#.
4. 3/8" x 8" EXPANDED FELT.
5. 3/4" COIL THREADED ADJUSTING BOLT HOLE x 11" LONG. LOCATE AS FOLLOWS: NECK SECTION (4) TONGUE FORMER MTD.
6. 1" DIAMETER THRU HOLE. LOCATE AS FOLLOWS: COVER SECTION (2) TABLE MTD. OPPOSITE CORNERS W/NEOPRENE PLUGS.
7. 1 3/8" x 1 5/8" GALVANIZED UNISTRUT x 2" LONG. LOCATE AS FOLLOWS: COVER SECTION (4) FRAME MTD.
8. Ⓞ 1/2" P-36-T INSERT. LOCATE AS FOLLOWS: COVER SECTION (4) CORE DECK MTD.

**ORDERING INFORMATION:**

K44-VN12-12T FOR ASSEMBLY AS SHOWN.  
 APPROVED FOR L.A.D.W.P. SPEC. 1-802 1B  
 TOTAL WEIGHT FOR ASSEMBLY AS SHOWN IS 3,437#.



AUTOCAD REL. 14

#	DATE	DESCRIPTION	BY

**K44-VN12-12T**

PER LADWP 1-802, 1B

03-01-02