

# 4'-0" x 6'-6" LADWP DUCTED MANHOLE x 66" DEEP

**NOTES:**

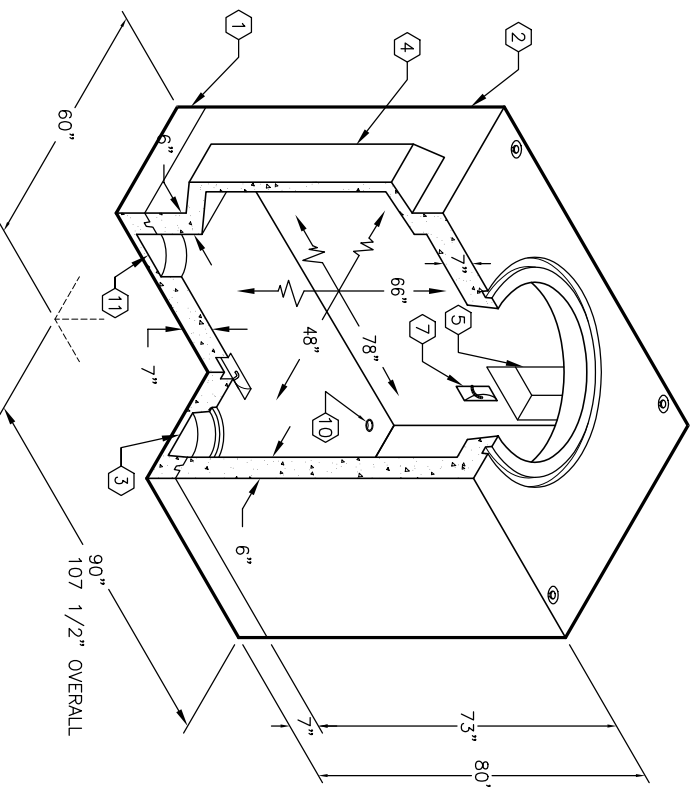
- VAULT DESIGNED IN ACCORDANCE WITH AASHTO H-20-44 TRAFFIC BRIDGE LOADING USING 5,500 PSI COMPRESSIVE STRENGTH CONCRETE AND 60,000 PSI YIELD STRENGTH ASTM A-706 STEEL REINFORCEMENT PER CALCS. #31616.
  - VAULT TO BE PLACED ON A MIN. 6" BASE OF CRUSHER RUN FOR EASE OF INSTALLATION AND EVEN LOAD DISTRIBUTION.
  - CONCRETE MIX USED IN POURING THIS PRODUCT SHALL USE FLY ASH AS IN ADMIXTURE.
  - EACH CONCRETE SECTION SHALL BE MARKED ON THE INSIDE & OUTSIDE WITH "JENSEN PRECAST", THE DESIGNATION "DWP/FA", AND THE DATE OF POUR.
  - EACH CONCRETE SECTION SHALL HAVE CAST-IN ON THE INSIDE "JENSEN", THE YEAR, AND THE DESIGNATION "FA".
1. UV466-B-12, 7" BASE SLAB. WT. 3,130#.
  2. UV466-T66-12, 66" ROOF SECTION. WT. 11,268#.
  3. 12" x 13" DIA. SLUMP x 5" DEEP WITH RECESS. LOCATE AS FOLLOWS: BOTTOM SECTION (1) CORE MTD.
  4. 18" x 44" DUCTED. K.O. x 12" DEEP. DRAFT AS FOLLOWS: T=1", S1=S2=5", B=7". LOCATE AS FOLLOWS: ROOF SECTION (2) CORE MTD.
  5. 9" x 18" K.O. x 4" DEEP. DRAFT AS FOLLOWS: T=1" S1=S2=3", B=3". LOCATE AS FOLLOWS: ROOF SECTION (4) CORE MTD.
  6. 12" x 14" VENT K.O. x 5" DEEP. LOCATE AS FOLLOWS: ROOF SECTION (6) CORE MTD.
  7. 7/8" DIA. PULL IRON. LOCATE AS FOLLOWS: BOTTOM SECTION (1) CORE MTD; ROOF SECTION (8) CORE MTD.
  8. 1/2" PLASTIC INSERT. LOCATE AS FOLLOWS: ROOF SECTION (12) CORE MTD.
  9. 2" DIA. TERMS W/1" DIA. GROUND ROD KNOCKOUT. LOCATE AS FOLLOWS: BOTTOM SECTION (4) CORE MTD.
  10. 12" DIA. KNOCKOUT. LOCATE AS FOLLOWS: BOTTOM SECTION (2) CORE MTD.
  11. CORE MTD.

THE FOLLOWING MATERIAL TO BE SHIPPED WITH VAULT:

- (o) 7/8" x 1 3/4" CONSEAL GASKET (69 FT. REQ'D).

**ORDERING INFORMATION:**

K466-DM66-12 FOR ASSEMBLY AS SHOWN.  
 PER LADWP SPEC G-322 G2, R21  
 TOTAL WEIGHT OF ASSEMBLY SHOWN IS 14,398#.



MINIMUM EXCAVATION SIZE:  
 5'-8" x 9'-4" x DEPTH REQ'D.

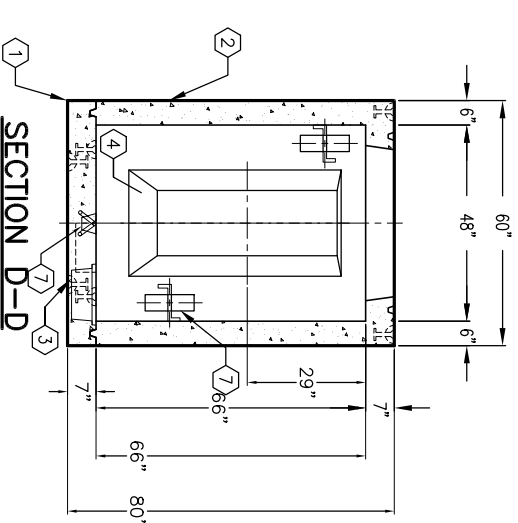
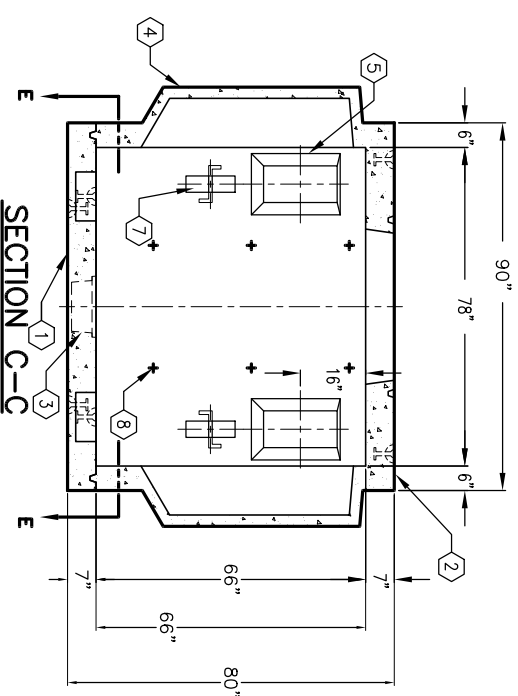
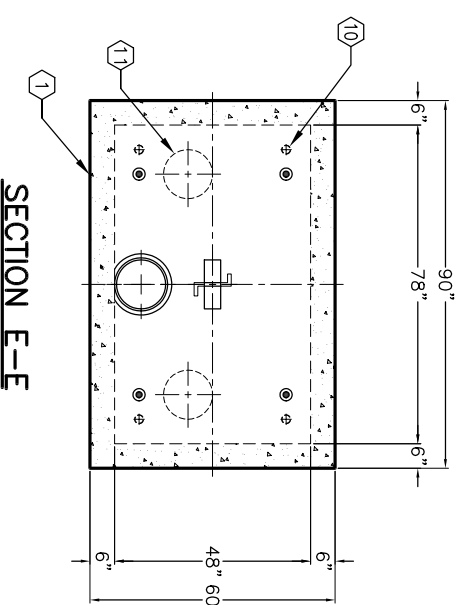
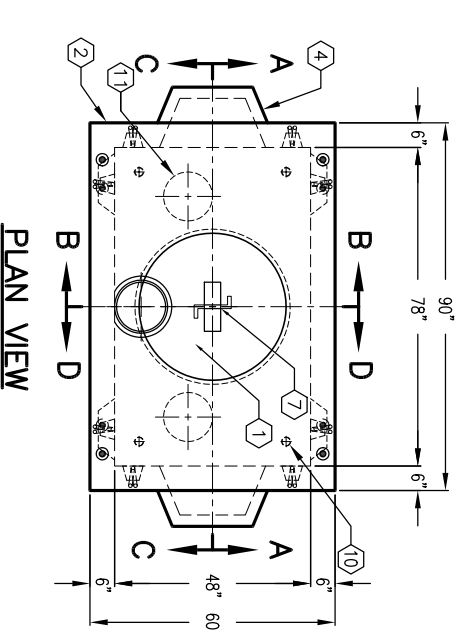
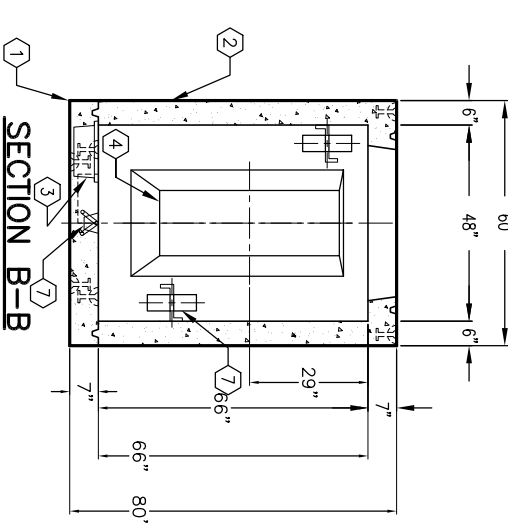
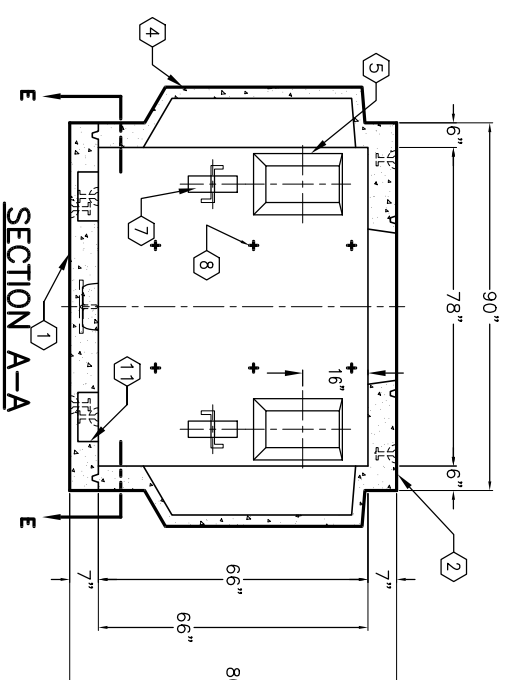


AUTOCAD REL. 14

**K466-DM66-12**

PER LADWP SPEC G-322 G1, R 21

03-01-02



#	DATE	DESCRIPTION	BY

**K466-DM66-12**

PER LADWP SPEC G-322 G1, R21

03-01-02