

2'-0" x 3'-0" LADWP TRAFFIC DUCTED PULL BOX x 3'-0" DEEP

NOTES:

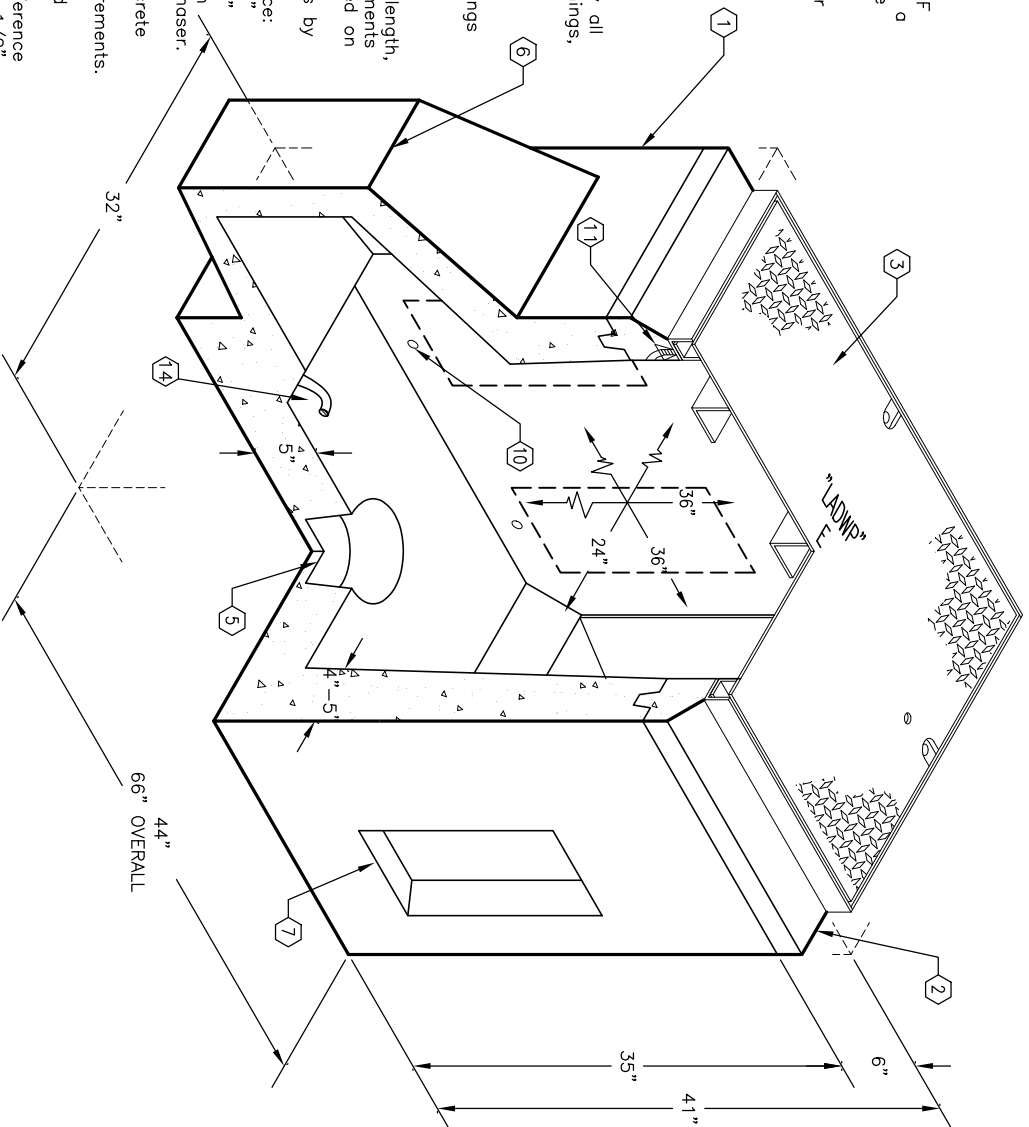
- PULL BOX DESIGNED IN ACCORDANCE WITH ASHTO H-20-44 TRAFFIC BRIDGE LOADING USING 5,500 PSI [37.92MPa] COMPRESSIVE STRENGTH CONCRETE AND 60,000 PSI [413.2MPa] YIELD STRENGTH ASTM A-706 STEEL REINFORCEMENT PER CALC. #31633.
 - COVER DESIGNED FOR H-20-44 TRAFFIC LOADING FOR USE IN OFF-STREET LOCATIONS PER CALC. #31354
 - PULL BOX TO BE PLACED ON A MIN. 6" BASE OF CRUSHER RUN FOR EASE OF INSTALLATION AND END LOAD DISTRIBUTION.
 - CONCRETE MIX USED IN POURING THIS PRODUCT SHALL USE FLY-ASH AS AN ADMIXTURE.
 - EACH CONCRETE SECTION SHALL BE MARKED ON THE INSIDE & OUTSIDE WITH "JENSEN PRECAST" THE DESIGNATION "DWP/FA.", AND THE DATE OF POUR.
 - EACH CONCRETE SECTION SHALL HAVE CAST-IN ON THE INSIDE "JENSEN" THE YEAR, AND THE DESIGNATION "FA."
1. PB2436D-B30-12, 30" BOTTOM SECTION, WT. 1,822 Lbs.
 2. PB2436-16-12, 6" TOP SECTION, W/F2436-PB-ANG.
 3. SC2436-TSRV, ONE PIECE TRAFFIC SLIP RESISTANT GALV. COVER W/ (4) 1/2" x 13 x 2 1/2" S.S. HEX HEAD BOLT-DOWNS, (2) PICK HOLES, MARK "LADWP-E.", WT. 134 Lbs.
 4. 1/2" x 5" ADJUSTING BOLT W/NUT ASSEMBLY, TOP SECTION (4) CORE MTD.
 5. 6" x 7" DIA. SUMP x 4" DEEP, BOTTOM SECTION (1) CORE MTD.
 6. 11" x 11" DUCTED, K.O. x 13 1/2" DEEP, DRAFT AS FOLLOWS: T=6", ST=S2=5", B=0". BOTTOM SECTION (2) CORE MTD.
 7. 8" x 16" K.O. x 3" DEEP, DRAFT 2" ALL SIDE TYP. BOTTOM SECTION (4) SHELL MTD.
 8. 1" DIA. BLIND GROUND ROD HOLE. BOTTOM SECTION (2) CORE MTD.
 9. + 1/2" P-35-T INSERT. BOTTOM SECTION (8) CORE MTD.
 10. + 1/2" P-35-T INSERT W/CLEAN-OUT HOLE. TOP SECTION (4) FRAME MTD.
 11. @ 1/2" P-36-T INSERT. TOP SECTION (2) SHELL MTD.
 12. 7/8" DIA. X 9" VERTICAL GALV. PULL IRON, BOTTOM SECTION (2) CORE MTD.
 - 13.
 - 14.

ORDERING INFORMATION:

K2436-DP36-12T FOR ASSEMBLY AS SHOWN.
TOTAL WEIGHT OF ASSEMBLY SHOWN IS 2,150 Lbs.

GENERAL NOTES:

1. Minimum soil bearing capacity is hereby assumed to be 2000 PSF unless otherwise documented by a geotechnical report that shall be provided to Jensen Precast by the end user. Jensen Precast shall not be held responsible for the soil bearing capacity.
2. Installation of Manholes, Vaults, Handholes, Meter Boxes etc. will be as per Jensen installation procedures.
3. Structural modification to the Jensen line of products is not permitted without prior written approval from Jensen Engineering Department. Do not scale the drawings, verify all dimensions including rough openings, if any discrepancies are found, notify the Jensen Engineer immediately.
4. The Jensen Engineer will interpret the intent of the drawings in case of possible conflict or discrepancy.
5. Permissible Variations:
Dimensional Tolerances - The length, width, height, or dia. measurements of the structure when measured on the inside surfaces shall not deviate from design dimensions by more than the following:
Dimensions: Tolerance:
0 to 5 Feet 1/4"
5 to 10 Feet 3/8"
10 to 20 Feet 3/8"
Squares Tolerance:
The inside of the precast concrete component shall be square as determined by diagonal measurements. The difference between such measurements shall not exceed the following:
Measured Length: Allowable Difference
0 to 10 Feet 1/2"
10 to 20 Feet 3/4"
20 Feet and over as agreed upon between the supplier and purchaser.
- 6.
- 7.

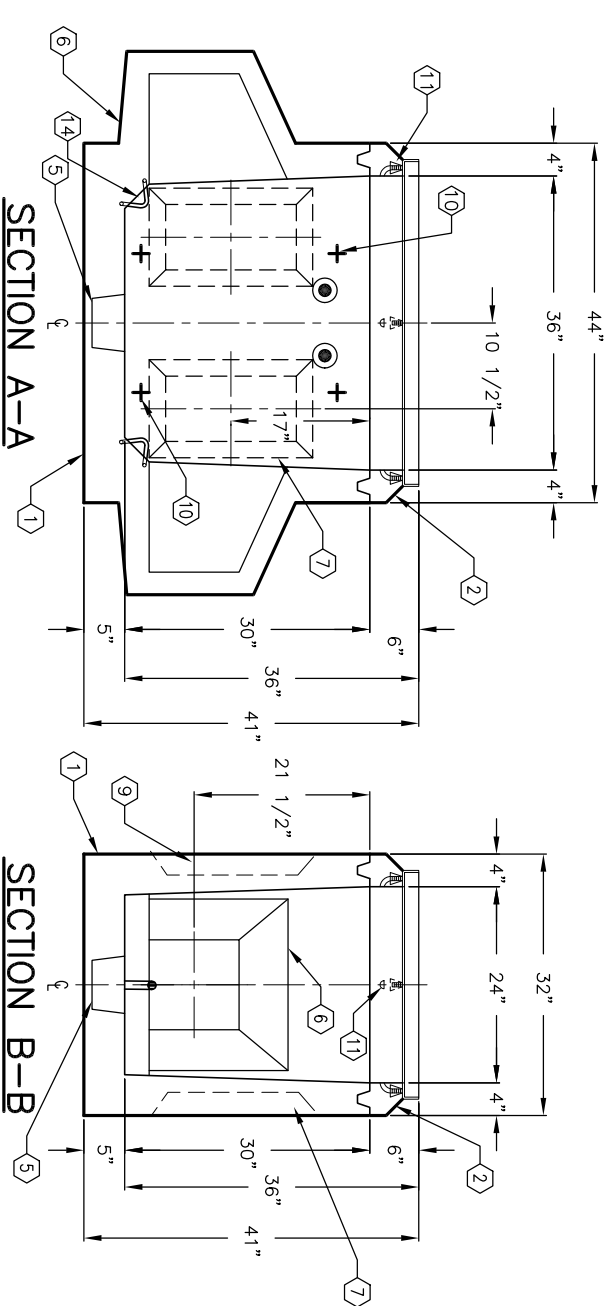


MINIMUM EXCAVATION SIZE:
3'-8" x 6'-6" x DEPTH RECD.

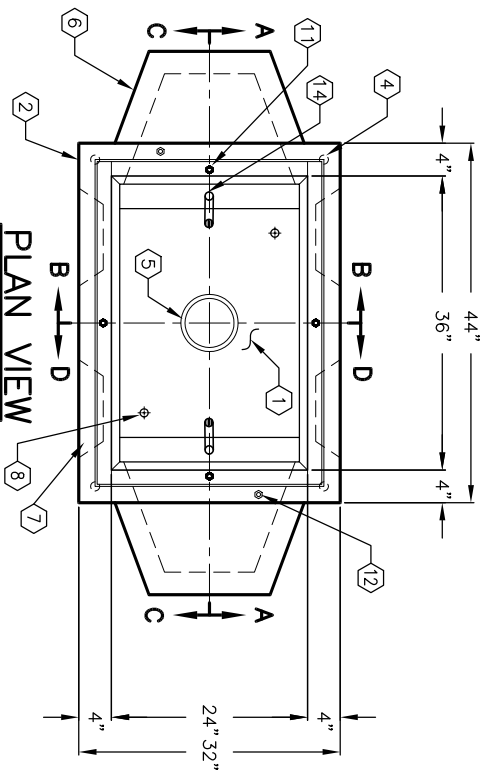
K2436-DP36-12T

AUTOCAD REL. 14

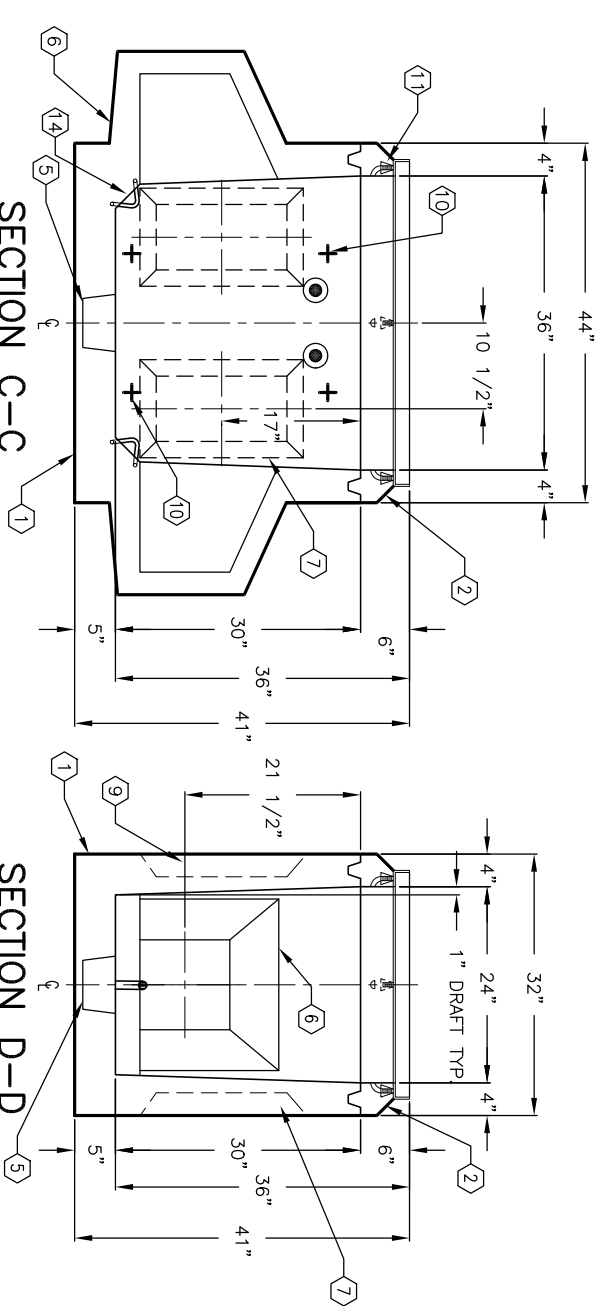
JENSEN PRECAST



SECTION A-A



PLAN VIEW



SECTION C-C

SECTION D-D

#	DATE	DESCRIPTION	BY

K2436-DP36-12T

AUTOCAD REL. 14