

10'-6" x 10'-6" LADWP TRANSFORMER PAD W/8'-0" x 9'-4" ENCLOSURE x 60" DEEP

NOTES:

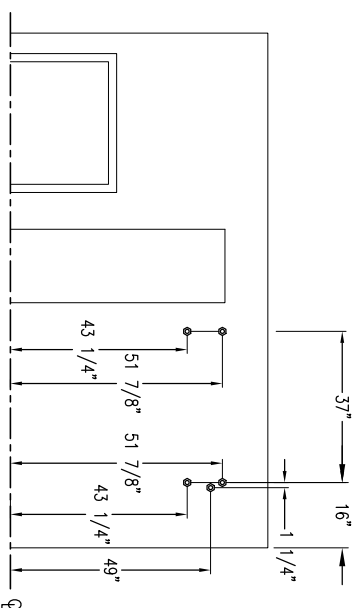
- VAULT DESIGNED IN ACCORDANCE WITH L.A.D.W.P. SPEC. C721 USING 5,500 PSI [37.92MPa] COMPRESSIVE STRENGTH CONCRETE AT 28 DAYS AND 60,000 PSI [413.2MPa] YIELD STRENGTH ASTM A-706 STEEL REINFORCEMENT PER CALC. #32005.
- VAULT TO BE PLACED ON A MIN. 6" BASE OF CRUSHER RUN FOR EASE OF INSTALLATION AND EVEN LOAD DISTRIBUTION.
- CONCRETE MIX USED IN POURING THIS PRODUCT SHALL USE FLY ASH AS AN ADMIXTURE.
- EACH CONCRETE SECTION SHALL BE MARKED ON THE INSIDE & OUTSIDE WITH "JENSEN PRECAST" THE DESIGNATION "DW/P/FA.", AND THE DATE OF POUR
- EACH CONCRETE SECTION SHALL HAVE CAST-IN ON THE INSIDE "JENSEN" THE YEAR, AND THE DESIGNATION "FA."

ORDERING INFORMATION:
 K106106-SB60-1215 FOR ASSEMBLY AS SHOWN.
 APPROVED FOR LADWP SPEC. UB 721-15, R-1
 TOTAL WEIGHT OF ASSEMBLY IS 21,687 lbs.

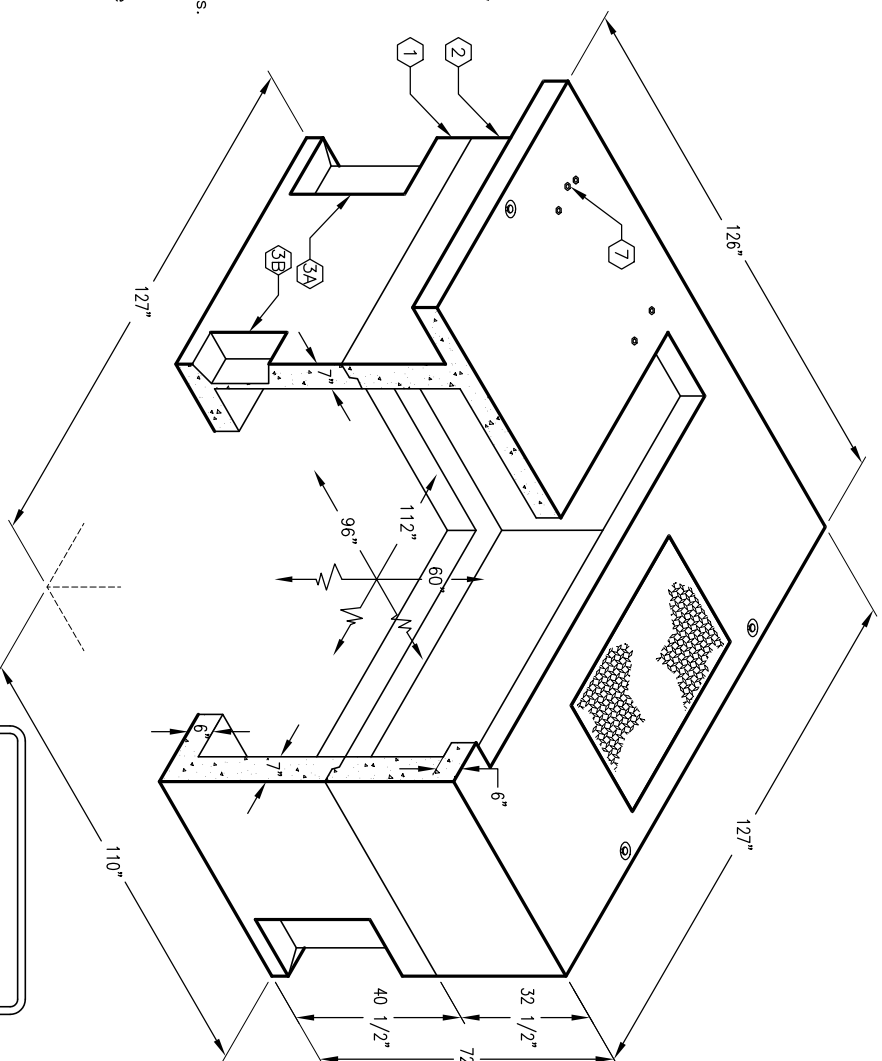
GENERAL NOTES:

1. Minimum soil bearing capacity is hereby assumed to be 2000 PSF unless otherwise documented by a geotechnical report that shall be provided to Jensen Precast by the end user. Jensen Precast shall not be held responsible for the soil bearing capacity.
2. Installation of Manholes, Vaults, Handholes, Meter Boxes etc. will be as per Jensen installation procedures.
3. Structural modification to the Jensen line of products is not permitted without prior written approval from Jensen Engineering Department.
4. Do not scale the drawings, verify all dimensions including rough openings, if any discrepancies are found, notify the Jensen Engineer immediately.
5. The Jensen Engineer will interpret the intent of the drawings in case of possible conflict or discrepancy.
6. Permissible Variations:
 Dimensional Tolerances – The length, width, height, or dia. measurements of the structure when measured on the inside surfaces shall not deviate from design dimensions by more than the following:
 Dimensions: Tolerance:
 0 to 5 Feet 1/4"
 5 to 10 Feet 3/8"
 10 to 20 Feet as agreed upon between the supplier and purchaser.
 Squariness Tolerance:
 The inside of the precast concrete component shall be square as determined by diagonal measurements. The difference between such measurements shall not exceed the following:
 Measured Length: Allowable Difference
 0 to 10 Feet 1/2"
 10 to 20 Feet 3/4"
 20 Feet and over as agreed upon between the supplier and purchaser.
- 7.

1. SB894-B36-1215, 36" BOTTOM SECTION, WT. 12,331 lbs.
2. SB894-124-1215, 24" TRANSFORMER PAD, WT. 13,700 lbs.
3. 16" x 26" CORNER KNOCKOUT x 5 1/2" DEEP. DRAFT AS FOLLOWS:
 T=2", S1=3 1/2", S2=2", B2=2", BOTTOM SECTION (8) SHELL MTD.
 14" x 14" THIN WALL KNOCKOUT x 5 1/2" DEEP, BTM SECTION (2) SHELL MTD.
 ANGLE FRAME (F3048-PB-ANG) CAST-IN WITH GALV. COVER (SC3048-PGV) MARK "LAWDP-ET"
4. 5/8" FERRULE LOOP INSERTS (55-10-525), (10) PLACES.
5. 1" DIA. COIL THREADED INSERT, BOTTOM SECTION (4) CORE MTD.



**PLAN VIEW OF INSERT LAYOUT
 (OTHER SIDE MIRROR IMAGE)**



**MINIMUM EXCAVATION SIZE:
 11'-0" x 11'-6" x DEPTH REQD.**

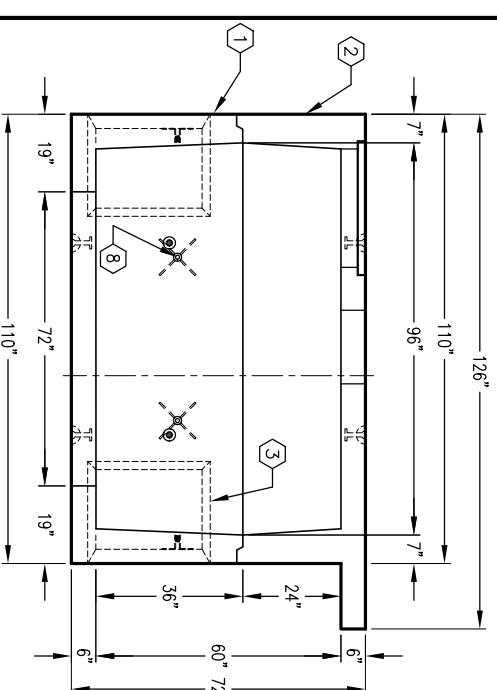
K106106-SB60-1215

PER LADWP SPEC. UB 721-15 R-1

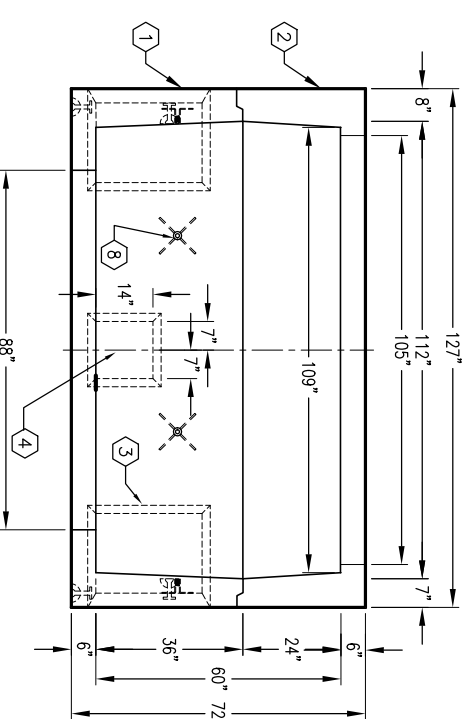
03-01-02



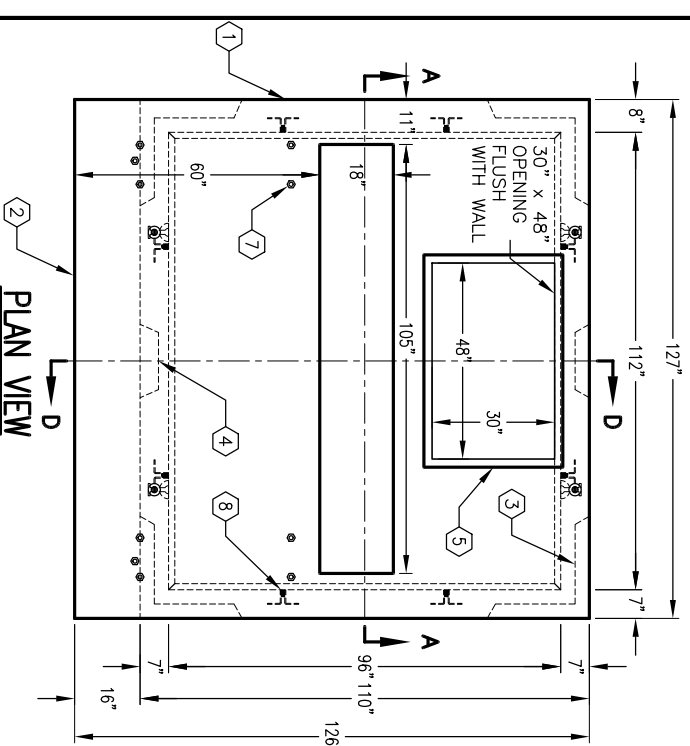
AUTOCAD REL. 14



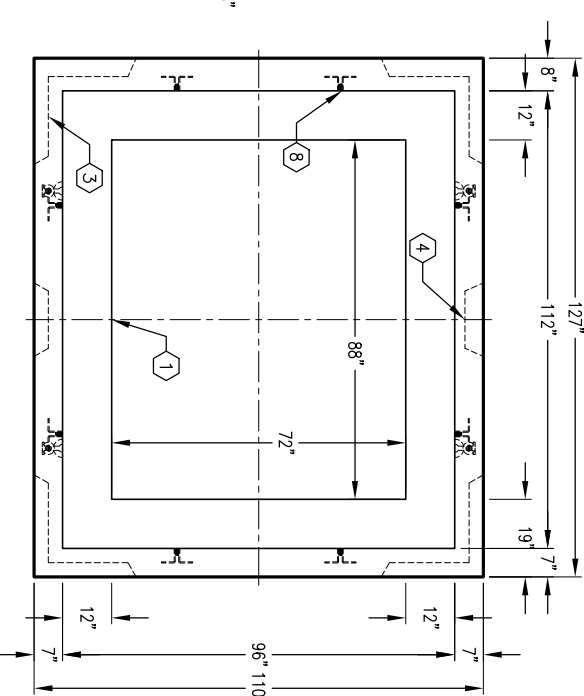
SECTION D-D



SECTION A-A



PLAN VIEW



ENCLOSURE W/O PAD



K106106-SB60-1215

PER LADWP SPEC. UB 721-15 R-1

03-01-02

#	DATE	DESCRIPTION	BY