

6'-0" x 8'-0" TRANSFORMER PAD W/4'-0" x 7'-0" ENCLOSURE x 42" DEEP

MATERIAL LIST - K686-SB42-11

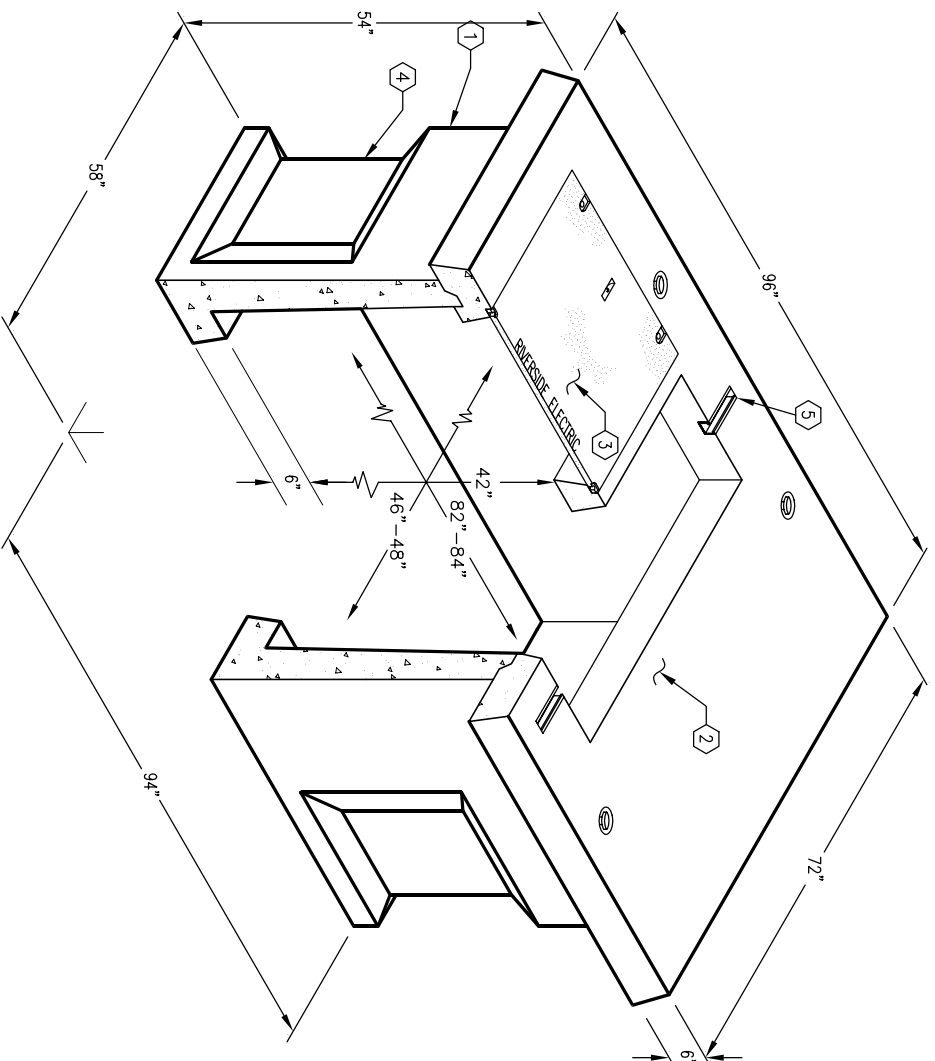
ITEM	PART NO.	DESCRIPTION	CAGE NO./LOCATE	WEIGHT/MOUNT
1	SB47-B42-11	42" BOTTOM SECTION	CG-SB47-B42-11(30)	4,780 lbs
2	PD7296-T6-16	6" TRANSFORMER PAD WITH F3048-PB-BANG CAST-IN	CG-PD7296-T6-16	2,713 lbs
3	12-20-22	POLYMER CONCRETE COVER MARK "RIVERSIDE ELECTRIC"		109 lbs
4	KNOCK OUT	(6) 1/2"x2-1/2" S.H.H.S. BOLT w/(2) PICK HOLES		
5	55-21-006	20" x 16" CORNER KNOCKOUT x 3-1/2" DEEP DRAFT: T=2", S1=S2=3-1/2", B=0"		(8) SHELL
6	55-10-416	6" LONG UNISTRUT		(2) SURFACE
7	55-10-830	1/2" P-35-T INSERT WITH CLEAN OUT HOLE		(6) FRAME
8	55-20-203	1" GALV. COIL THREAD INSERT		(4) CORE
		2 TON x 3-3/8" GALV. FOR RISS HANDLING		(4) SURFACE

NOTES:

- TRANSFORMER PAD AND ENCLOSURE ARE DESIGNED FOR PARKWAY LOADING USING 5,500 P.S.I. [37.92 MPa] COMPRESSIVE STRENGTH CONCRETE AND 60,000 P.S.I. [413.2 MPa] YIELD STRENGTH ASTM A-706 STEEL REINFORCEMENT PER CALC. #31655.
- ENCLOSURE TO BE PLACED ON A MIN. 6" BASE OF CRUSHER RUN FOR EVEN LOAD DISTRIBUTION AND EASE OF INSTALLATION.
- PAD AND ENCLOSURE DESIGNED FOR 7,500 LB. (TRANSFORMER) VERTICAL DEAD LOAD.

ORDERING INFORMATION:

K686-SB47-21A FOR ASSEMBLY AS SHOWN,
APPROVED FOR CITY OF RIVERSIDE UGS-721, SB-3
TOTAL WEIGHT OF ASSEMBLY AS SHOWN IS 7,600#.



MINIMUM EXCAVATION SIZE:
5'-6" x 8'-6" x DEPTH REQD.

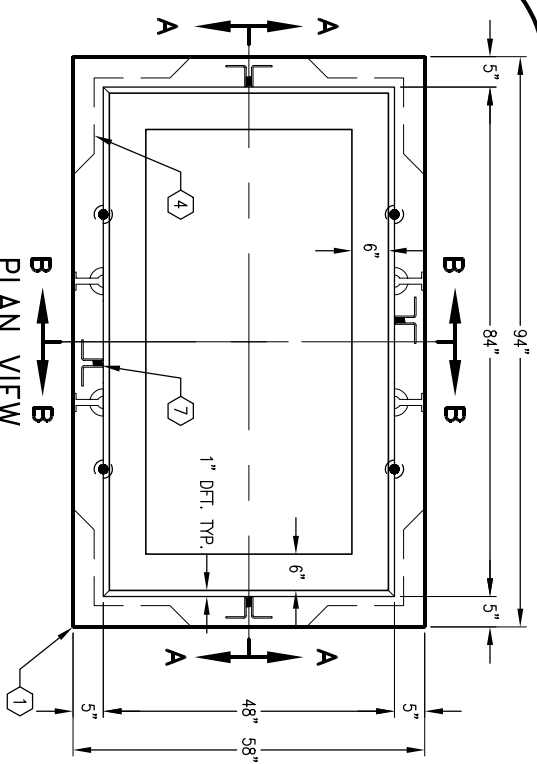
JENSEN
PRECAST

AUTOCAD REL. 14

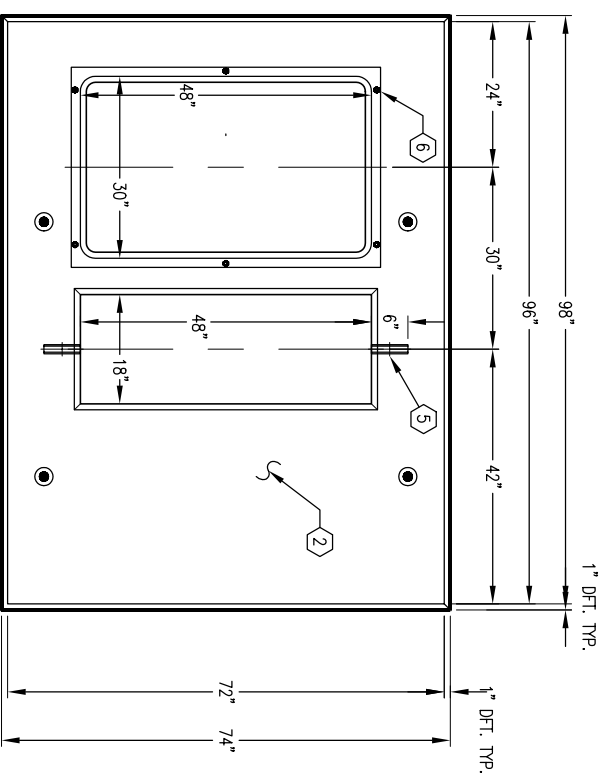
K68-SB42-21A

PER RIVERSIDE SPEC. UGS-721, SB-3

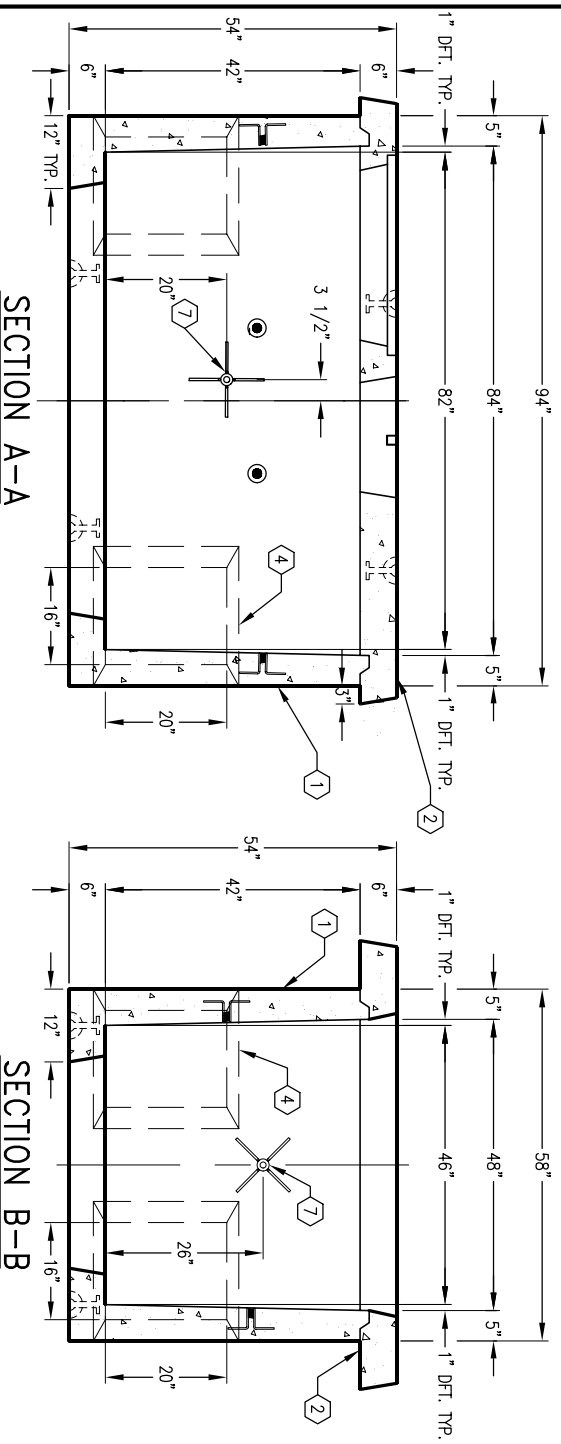
04-06-04



W/O TRANSFORMER PAD



PLAN VIEW OF TRANSFORMER PAD



SECTION A-A

SECTION B-B

JENSEN
PRECAST

#	DATE	DESCRIPTION	BY
C	10-26-04	ADDED UNISTRUT	YK
B	06-14-04	REVERSE PER LATEST STANDARD	DNG

K68-SB42-21A

PER RIVERSIDE SPEC. UGS-721, SB-3

04-06-04