

4'-0" x 7'-0" RIVERSIDE TRANSFORMER PAD AND VAULT x 3'-6" DEEP

NOTES:

- VAULT DESIGNED IN ACCORDANCE WITH AASHTO H-20-44 TRAFFIC BRIDGE LOADING USING 5,500 PSI [37.92MPa] COMPRESSIVE STRENGTH CONCRETE AT 28 DAYS AND 60,000 PSI [413.2MPa] YIELD STRENGTH ASTM A-706 STEEL REINFORCEMENT PER CALCS #30615.
- VAULT TO BE PLACED ON A MIN. 6" BASE OF CRUSHER RUN FOR EASE OF INSTALLATION AND EVEN LOAD DISTRIBUTION.
- CONCRETE MIX USED IN POURING THIS PRODUCT SHALL USE FLY ASH AS AN ADMIXTURE.
- EACH CONCRETE SECTION SHALL BE MARKED ON THE INSIDE AND OUTSIDE WITH "JENSEN PRECAST", AND THE DATE OF POUR.

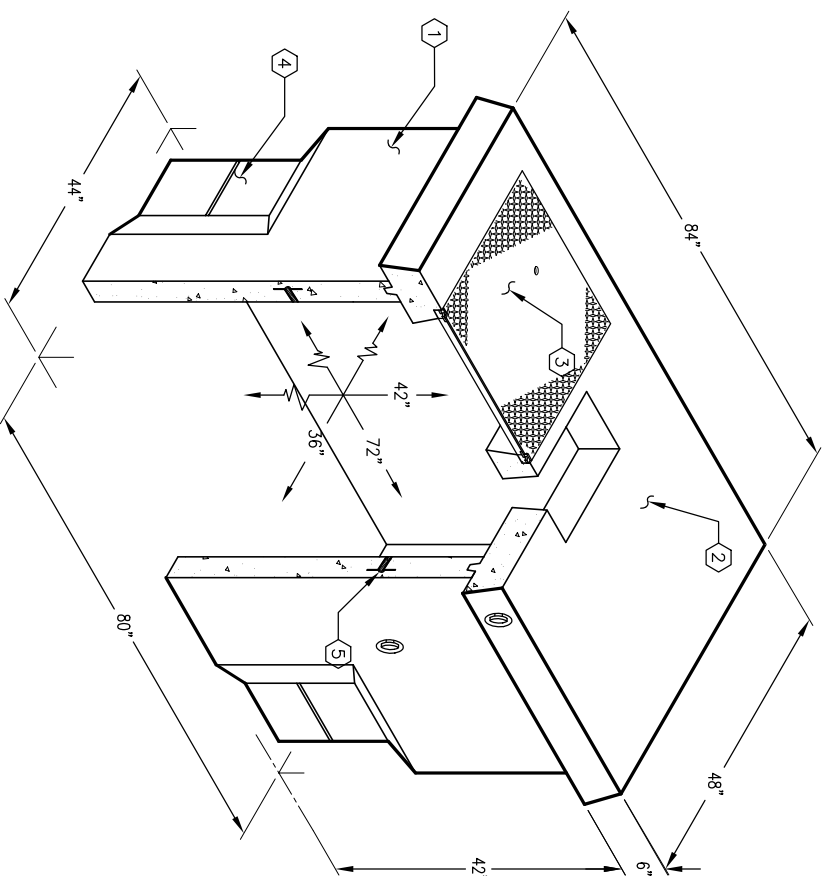
ORDERING INFORMATION:

K3672-SB42-21 FOR ASSEMBLY AS SHOWN.
 APPROVED FOR CITY OF RIVERSIDE SB-1.
 TOTAL WT. OF ASSEMBLY 4,535 lbs.

1. SB3672-L42-21, 42" LOWER SECTION, WT. 3,070 lbs.
2. PD4884-16-21, 6" TRANSFORMER PAD SB-1, W/RECESS FOR ARMOR STYLE COVER, WT. 1,430 lbs.
3. SC2436-PAL SINGLE PIECE STEEL COVER W/(2) 1/2" x 13" x 1 1/2" S.S. PENTA-HEAD BOLTS, (2) PICK HOLES, ALUMINUM PAINT, WT. 72 lbs.
4. 16" x 16" x 16" CORNER KNOCKOUT x 3" DEEP. DRAFT AS FOLLOWS: S1=2", S2=2", B=0. LOCATE AS FOLLOWS: LOWER SECTION (4) SHELL MTD.
5. X 1" COIL THRD. INSERT. LOCATE AS FOLLOWS: LOWER SECTION, (4) CORE MTD.
6. (4) 1/2" P-35-T INSERT W/CLEAN-OUTS. LOCATE AS FOLLOWS: TRANSFORMER PAD (2) TABLE MTD.
7. (2) 2 TON x 3 3/8" RISS HANDLING ANCHORS. LOCATE AS FOLLOWS: TRANSFORMER PAD (4) RAIL MTD.; LOWER SECTION (4) CORE MTD., (4) SHELL MTD.

GENERAL NOTES:

1. Minimum soil bearing capacity is hereby assumed to be 2000 PSF unless otherwise documented by a geotechnical report that shall be provided to Jensen Precast by the end user. Jensen Precast shall not be held responsible for the soil bearing capacity.
2. Installation of Manholes, Vaults, Handholes, Meter Boxes etc. will be as per Jensen installation procedures.
3. Structural modification to the Jensen line of products is not permitted without prior written approval from Jensen Engineering Department.
4. Do not scale the drawings, verify all dimensions including rough openings, if any discrepancies are found, notify the Jensen Engineer immediately.
5. The Jensen Engineer will interpret the intent of the drawings in case of possible conflict or discrepancy.
6. Permissible Variations:
 - Dimensional Tolerances – The length, width, height, or dia. measurements of the structure when measured on the inside surfaces shall not deviate from design dimensions by more than the following:
 - Dimensions: Tolerance:
 - 0 to 5 Feet 1/4"
 - 5 to 10 Feet 3/8"
 - 10 to 20 Feet as agreed upon between the supplier and purchaser.
 - Squareness Tolerance: The inside of the precast concrete component shall be square as determined by diagonal measurements. The difference between such measurements shall not exceed the following:
 - Measured Length: Allowable Difference
 - 0 to 10 Feet 1/2"
 - 10 to 20 Feet 3/4"
7. Between the supplier and purchaser.



MINIMUM EXCAVATION SIZE:
 4'-8" x 6'-8" x DEPTH REQ'D.

K3672-SB42-21

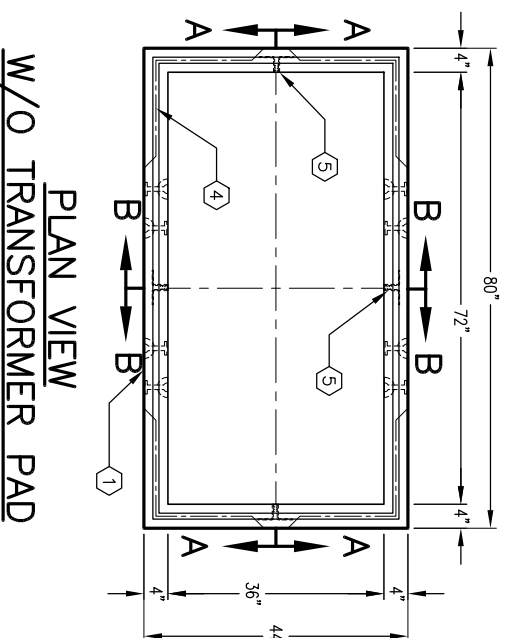
PER CITY OF RIVERSIDE SP-1 03-01-02

JENSEN PRECAST

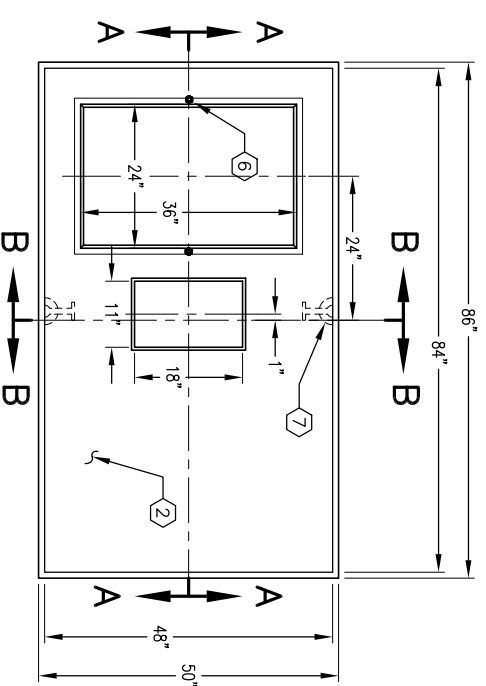
#	DATE	DESCRIPTION	BY

K3672-SB42-21

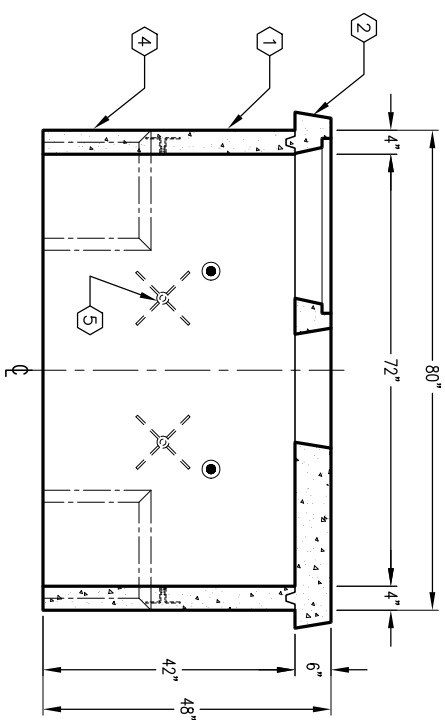
PER CITY OF RIVERSIDE SP-1 03-01-02



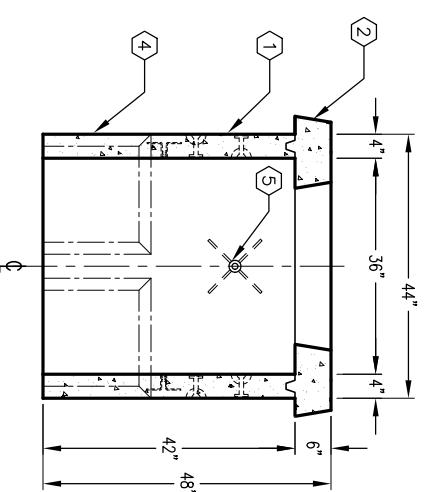
PLAN VIEW
 W/O TRANSFORMER PAD



PLAN VIEW OF TRANSFORMER PAD



SECTION A-A



SECTION B-B