

4'-0" x 5'-0" TRAFFIC VAULT NECK WITH CONCRETE COVER

MATERIAL LIST- K45-VN12-21				
ITEM	PART NO.	DESCRIPTION	CAGE NO./ LOCATE	WEIGHT/ MOUNT
1	VN45-N12-056	12" NECK SECTION	CG-VN45-N12-11	1,949 lbs
2	VN45-T8-056	8" COVER SECTION W/ CAST-IN A-1106 RING	CG-VN45-T8-11	1,984 lbs
	05-30-01	SURFACE TO BE DIAMOND PLATE IMPRINT		
3	04-30-06	30" DIA. CAST IRON COVER MARKED " RIVERSIDE ELECTRIC"		290 lbs
4	25-20-08	3/8"x8" EXPANDED FELT	NECK SECTION	
5	HOLE	3/4" COIL THREADED ADJUSTING BOLT HOLE x 10 1/2" LONG	NECK SECTION	(4) TONGUE FORMER
6				
7	HOLE	BOLT HOLE CLEAN OUT	COVER SECTION	(4) PLACES
8	55-20-203	2 TON x 3-3/8" GALVANIZED RISS HANDLING	NECK SECTION	(4) SHELL

NOTES:

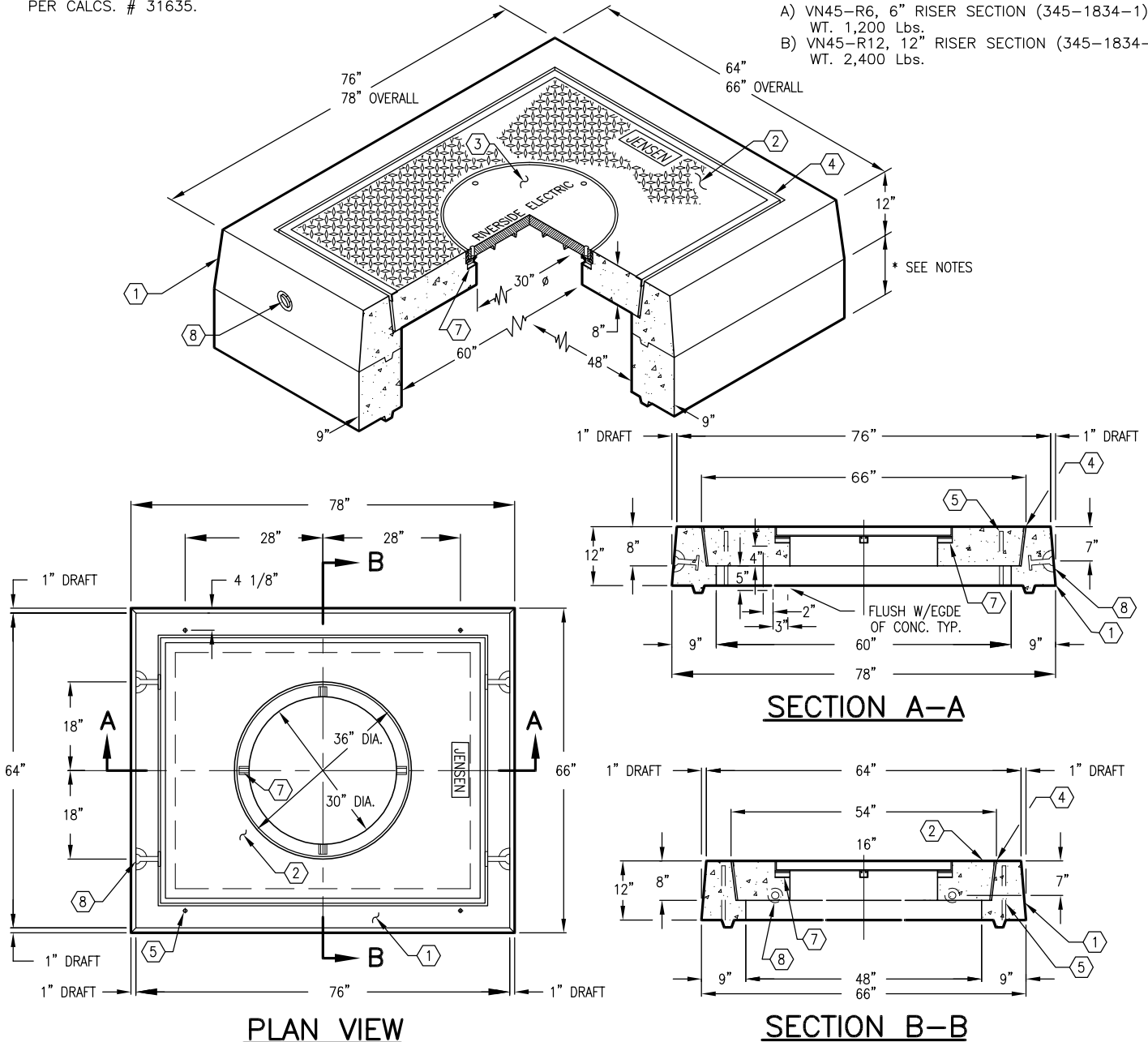
- DESIGNED IN ACCORDANCE WITH AASHTO H-20-44 TRAFFIC LOADING USING 5,500 P.S.I. COMPRESSIVE STRENGTH CONCRETE AND 60,000 P.S.I. YIELD STRENGTH GRADE 60 A-706 STEEL REINFORCEMENT PER CALCS. # 31635.

ORDERING INFORMATION:

K45-VN12-21T FOR ASSEMBLY AS SHOWN.
 APPROVED FOR CITY OF RIVERSIDE UGS-053.
 TOTAL WEIGHT FOR ASSEMBLY AS SHOWN IS 4,223 lbs.

EXTENSION ARE AVAILABLE IN THE FOLLOWING SIZES:

- A) VN45-R6, 6" RISER SECTION (345-1834-1).
WT. 1,200 Lbs.
- B) VN45-R12, 12" RISER SECTION (345-1834-3).
WT. 2,400 Lbs.



#	DATE	DESCRIPTION	BY

K45-VN12-21
 PER CITY OF RIVERSIDE UGS-053. 8-2-88