

3'-0" x 3'-6" RIVERSIDE CONCRETE PAD x 6" THICK

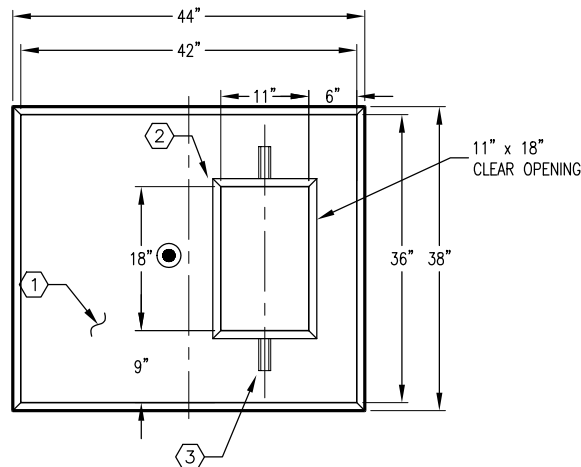
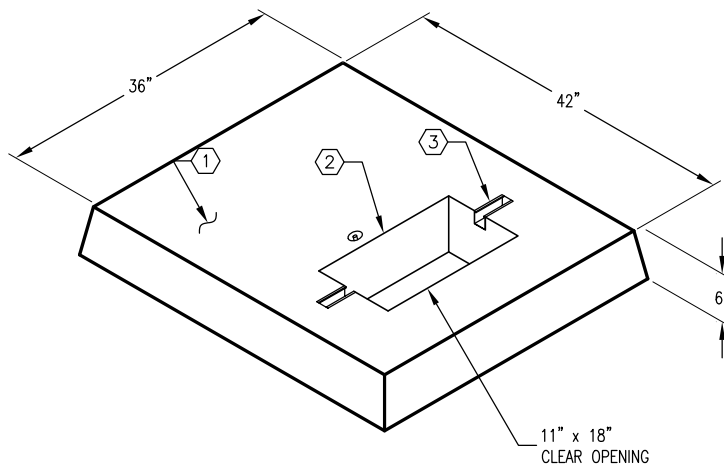
NOTES:

PAD DESIGNED IN ACCORDANCE WITH AASHTO
 H-20-44 TRAFFIC BRIDGE LOADING USING 5,500
 PSI [37.92MPa] COMPRESSIVE STRENGTH CONCRETE
 AND 60,000 PSI [413.2MPa] YIELD STRENGTH ASTM
 A-706 STEEL REINFORCEMENT PER CALC.

1. PD3642-T6-21, 6" TRANSFORMER PAD, WT. 700 Lbs.
2. 11" x 18" CABLE OPENING
3. 1 5/8" x 1 5/8" GALV. UNISTRUT x 4" LONG,
 (2) PAN MTD.

ORDERING INFO:

PD3642-T6-21 FOR UNIT AS SHOWN
 APPROVED FOR RIVERSIDE SPEC UGS-620, TP-2
 TOTAL WT.= 700lbs.



AUTOCAD REL. 14

#	DATE	DESCRIPTION	BY

PD3642-T6-21
 PER RIVERSIDE UGS-620, TP-2 03-01-02