

2'-6" x 4'-0" RIVERSIDE PARKWAY DUCTED PULL BOX x 3'-6" DEEP

NOTES:

- PULL BOX DESIGNED IN ACCORDANCE WITH AASHTO H-20-44 TRAFFIC BRIDGE LOADING USING 5,500 PSI [37-92MPa] COMPRESSIVE STRENGTH CONCRETE AND 60,000 PSI [413.2MPa] YIELD STRENGTH ASTM A-706 STEEL REINFORCING PER CALC. #31639.
- COVER DESIGNED FOR PARKWAY LOADING @ 300 PSF PER CALC. #31661.
- PULL BOX TO BE PLACED ON A MIN 6" BASE OF CRUSHER RUN FOR EASE OF INSTALLATION AND EVEN LOAD DISTRIBUTION.

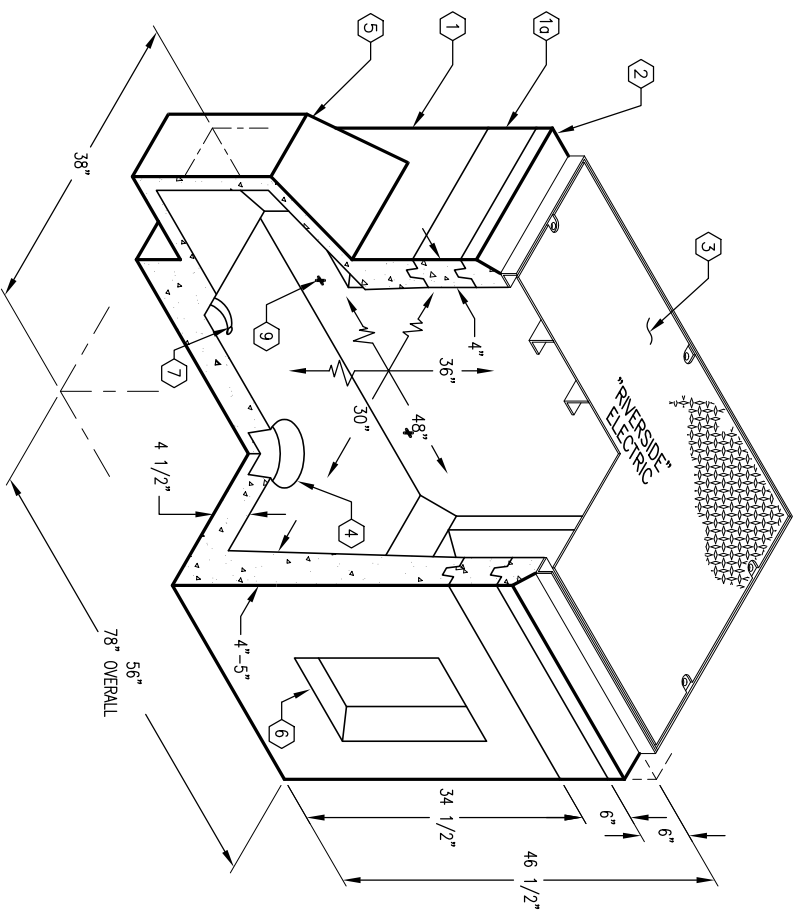
ORDERING INFORMATION:

K3048-DP42-21P-3 FOR ASSEMBLY AS SHOWN.
TOTAL WEIGHT OF ASSEMBLY IS 2,792 Lbs.

GENERAL NOTES:

1. Minimum soil bearing capacity is hereby assumed to be 2000 PSF unless otherwise documented by a geotechnical report that shall be provided to Jensen Precast by the end user. Jensen Precast shall not be held responsible for the soil bearing capacity.
2. Installation of Manholes, Vaults, Handholes, Meter Boxes etc. will be as per Jensen installation procedures.
3. Structural modification to the Jensen line of products is not permitted without prior written approval from Jensen Engineering Department.
4. Do not scale the drawings, verify all dimensions including rough openings, if any discrepancies are found, notify the Jensen Engineer immediately.
5. The Jensen Engineer will interpret the intent of the drawings in case of possible conflict or discrepancy.
6. Permissible Variations:
Dimensional Tolerances – The length, width, height, or dia. measurements of the structure when measured on the inside surfaces shall not deviate more than the following:
Dimensions: Tolerance:
0 to 5 Feet 1/4"
5 to 10 Feet 3/8"
10 to 20 Feet as agreed upon between the supplier and purchaser.
7. Squariness Tolerance:
The inside of the precast concrete component shall be square as determined by diagonal measurements. The difference between such measurements shall not exceed the following:
Measured Length: Allowable Difference
0 to 10 Feet 1/2"
10 to 20 Feet 3/4"
20 Feet and over as agreed upon between the supplier and purchaser.

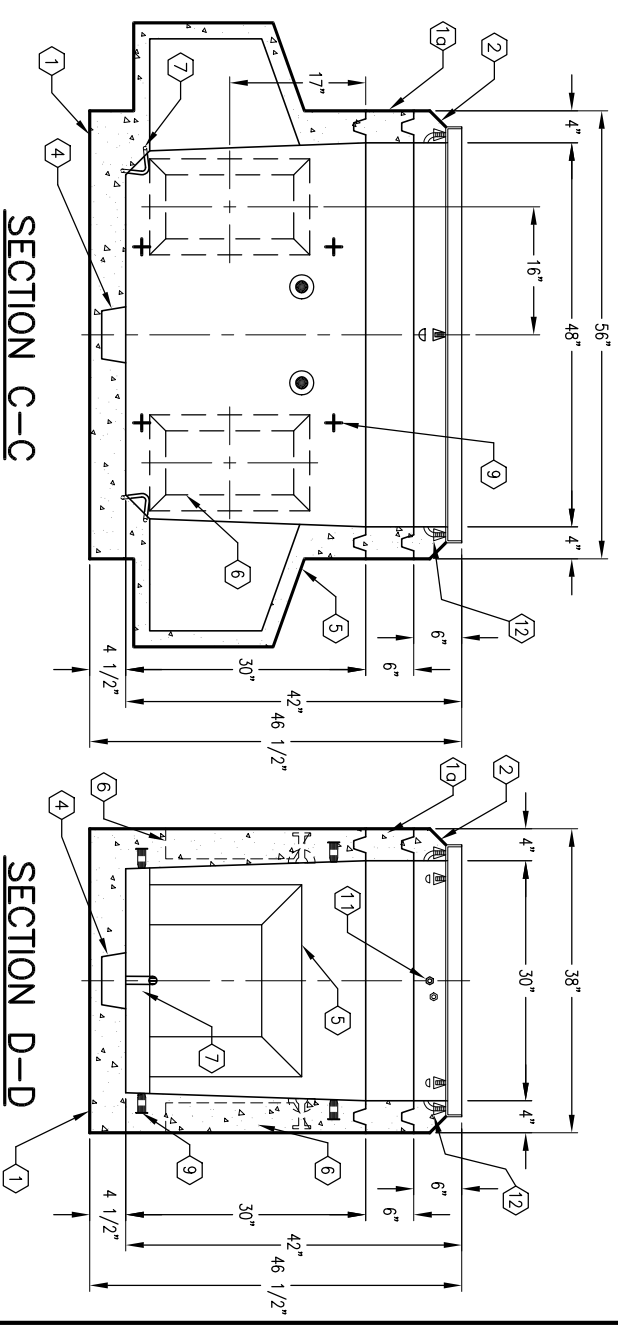
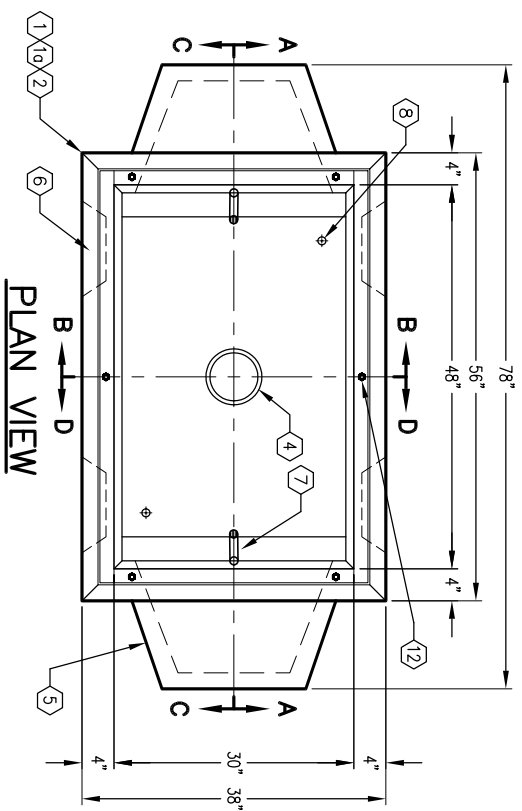
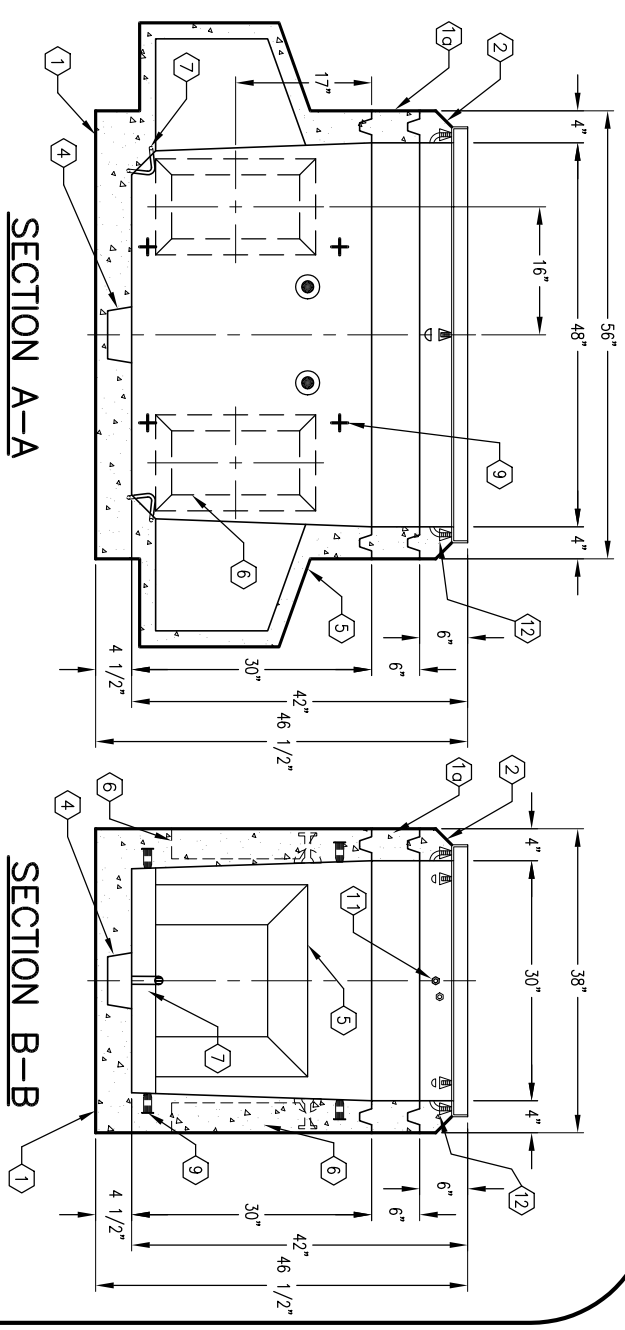
1. PB3048D-B30-05, 30" BOTTOM SECTION, WT. 2,012 Lbs.
- 1a. PB3048-R6, 6" RISER SECTION, WT. 213 Lbs.
2. PB3048-T6E, 6" TOP SECTION, W/ (F3048-PB-ANG) GALV. CAST IN ANGLE FRAME, WT. 331 Lbs.
3. SC3048-PAL, ONE PIECE PARKWAY ALUMINUM COVER W/ (6) 1/2" x 13" x 2 1/2" SLOTTED S.S. PENTHEAD BOLTS (2) 1" DIA. BLIND PICK HOLES, MARKED "RIVERSIDE ELECTRIC", WT. 236 Lbs.
4. 6" x 7" DIA. SUMP x 3" DEEP. LOCATE AS FOLLOWS:
BOTTOM SECTION (1) CORE MTD.
14" x 14" DUCTED K.O. x 14" DEEP. DRAFT AS FOLLOWS: T=5" S1=S2=5" B=0". LOCATE AS FOLLOWS:
BOTTOM SECTION (2) CORE MTD.
8" x 16" K.O. x 3" DEEP. DRAFTS AS FOLLOWS:
T=2", S1=S2=2", B=0". LOCATE AS FOLLOWS:
(4) SHELL MTD.
7/8" DIA. x 9" GALV. VERTICAL PULL IRON. LOCATE AS FOLLOWS: BOTTOM SECTION (2) CORE MTD.
Φ 1" DIA. BLIND GROUND ROD HOLE. LOCATE AS FOLLOWS:
BOTTOM SECTION (2) CORE MTD.
5. 1/2" PLASTIC INSERT. LOCATE AS FOLLOWS: BOTTOM SECTION (8) CORE MTD.
6. 1/2" P-36-T INSERT. LOCATE AS FOLLOWS: TOP SECTION (2) CORE MTD. (2) SHELL MTD.
7. 1/2" P-35-T O.B. INSERT W/CLEAN-OUT HOLE. LOCATE AS FOLLOWS: TOP SECTION (6) FRAME MTD.



MINIMUM EXCAVATION SIZE:
4'-2" x 7'-6" x DEPTH RECD.

K3048-DP42-21P-3

CITY OF RIVERSIDE, U.S.-302 PR-3 03-01-02



| # | DATE | DESCRIPTION | BY |
|---|------|-------------|----|
| | | | |

K3048-DP42-21P-3

CITY OF RIVERSIDE, U.S.-302 PR-3 03-01-02



AUTOCAD REL. 14