

# 8'-0" x 10'-0" LADWP TRANSFORMER PAD W/4'-0" x 7'-0" ENCLOSURE x 3'-6" DEEP

**NOTES:**

- CONCRETE DESIGNED IN ACCORDANCE WITH AASHTO H-20-44 TRAFFIC LOADING USING 5,500 PSI [37.92MPa] COMPRESSIVE STRENGTH CONCRETE AND 60,000 PSI [413.2 MPa] YIELD STRENGTH ASTM A-706 STEEL REINFORCEMENT PER CALCS. #30207

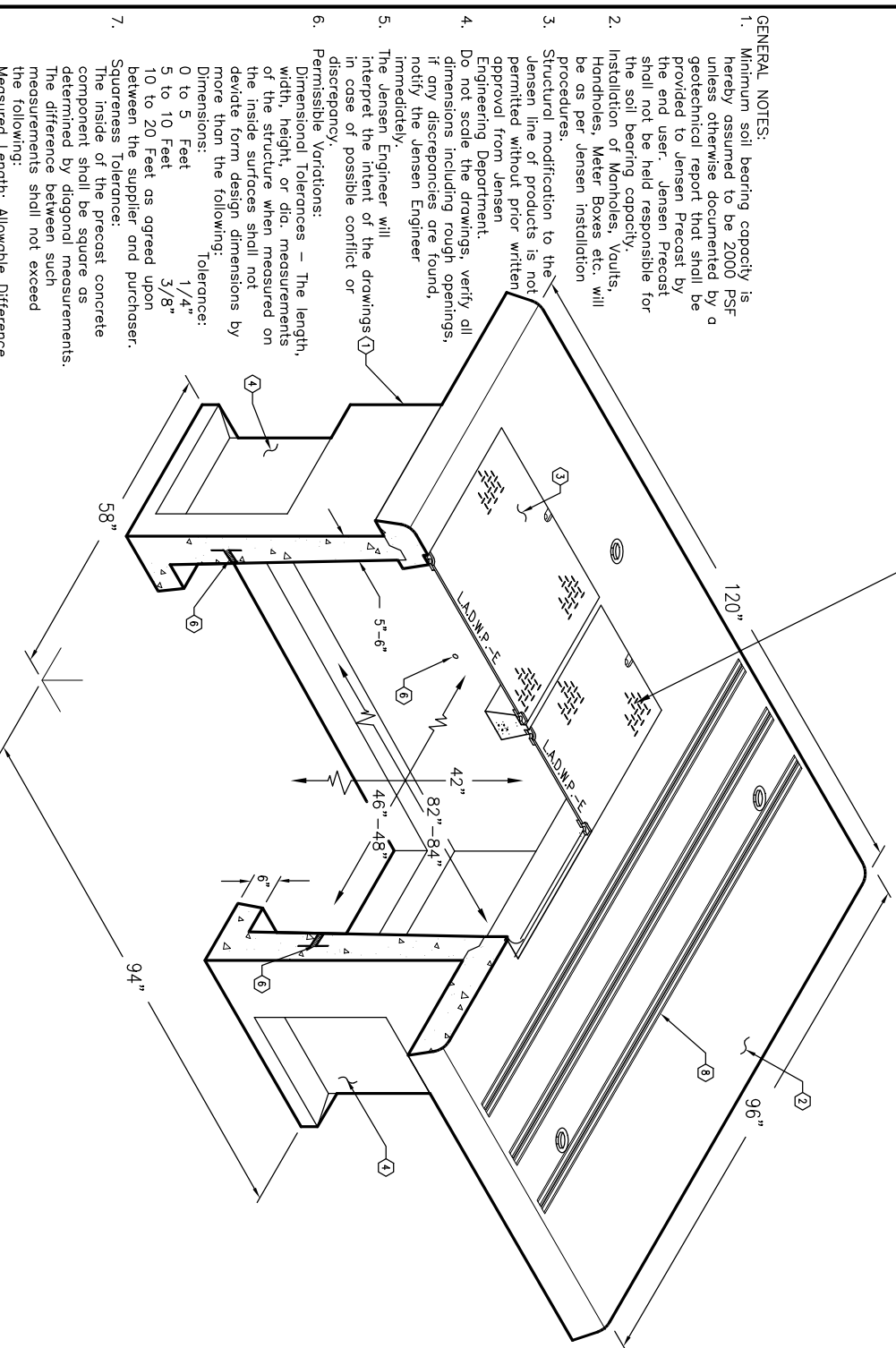
- COVER IS DESIGNED FOR PARKWAY LOADING PER CALCS. #30448.
- VAULT TO BE PLACED ON A 6" BASE OF CRUSHER RUN FOR EVEN LOAD DISTRIBUTION AND EASE OF INSTALLATION.
- CONCRETE MIX USED IN POURING THIS PRODUCT SHALL USE FLY ASH AS AN ADMIXTURE.
- EACH CONCRETE SECTION SHALL BE MARKED ON THE INSIDE & OUTSIDE WITH "JENSEN PRECAST" THE DESIGNATION "DWP/FA.", AND THE DATE OF POUR.
- EACH CONCRETE SECTION SHALL HAVE CAST-IN ON THE INSIDE "JENSEN", THE YEAR, AND THE DESIGNATION "FA."

**ORDERING INFORMATION:**

K810-SB42-12 FOR ASSEMBLY AS SHOWN, APPROVED FOR LAD.W.P. SPEC. UB721-07 R-7. TOTAL WEIGHT OF ASSEMBLY AS SHOWN IS 11,368 Lbs.

1. SB47-B42-12, 42" BOTTOM SECTION, WT. 6,400 Lbs.
2. P996120-T6-12, 6" TRANSFORMER PAD, WT. 4,839 Lbs.
3. SC3048-P4CV-12, ONE PIECE PARKWAY COVER W/(4) 1/2" x 2 1/2" S.H.H.S.S. BOLTS, (2) PICK HOLES GALV. FINISH, WT. 129 Lbs.
4. 16" x 26" KNOCKOUT x 3 1/2" DEEP. DRAFT AS FOLLOWS: T=2", S1=3 1/2", S2=3 1/2", B=2" LOCATE AS FOLLOWS: BOTTOM SECTION (8) SHELL MTD.
5. 1 1/2" P-35-T INSERT W/CLEAN-OUT HOLE. LOCATE AS FOLLOWS: TRANSFORMER PAD (8) FRAME MTD.
6. 1" GALV. COIL THREAD INSERT. LOCATE AS FOLLOWS: BOTTOM SECTION (6) CORE MTD.
8. 1 5/8" x 1 5/8" x 12 GAUGE STRUT x 94" LONG (UNISTRUT P3200 SERIES) (3 REQ'D.).

OPTIONAL 3/16" DIAMOND PLATE COVER TO BE PROVIDED UPON REQUEST WITH NON-CORROSIVE FASTENING DEVICE ON THE CENTER LINE OF EACH SIDE (4 SIDES).



- GENERAL NOTES:**
1. Minimum soil bearing capacity is hereby assumed to be 2000 PSF unless otherwise documented by a geotechnical report that shall be provided to Jensen Precast by the end user. Jensen Precast shall not be held responsible for the soil bearing capacity.
  2. Installation of Monholes, Vaults, Handholes, Meter Boxes, etc. will be as per Jensen installation procedures.
  3. Structural modification to the Jensen line of products is not permitted without prior written approval from Jensen Engineering Department. Do not scale the drawings, verify all dimensions including rough openings, if any discrepancies are found, notify the Jensen Engineer immediately.
  5. The Jensen Engineer will interpret the intent of the drawings in case of possible conflict or discrepancy.
  6. Permissible Variations: Dimensional Tolerances – The length, width, height, or dia. measurements of the structure when measured on the inside surfaces shall not deviate from design dimensions by more than the following:
 

Dimensions:	Tolerance:
0 to 5 Feet	1/4"
5 to 10 Feet	3/8"
10 to 20 Feet as agreed upon between the supplier and purchaser.	Squares: Tolerance:
  7. The inside of the precast concrete component shall be square as determined by diagonal measurements. The difference between such measurements shall not exceed the following:
 

Measured Length:	Allowable Difference
0 to 10 Feet	1/2"
10 to 20 Feet	3/4"

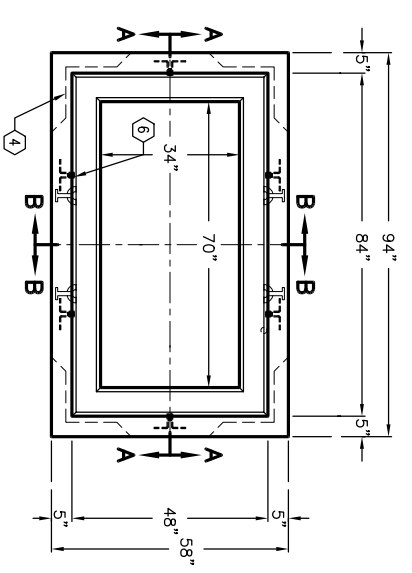
 20 Feet and over as agreed upon between the supplier and purchaser.

MINIMUM EXCAVATION SIZE:  
5'-6" x 8'-6" x DEPTH REQ'D.

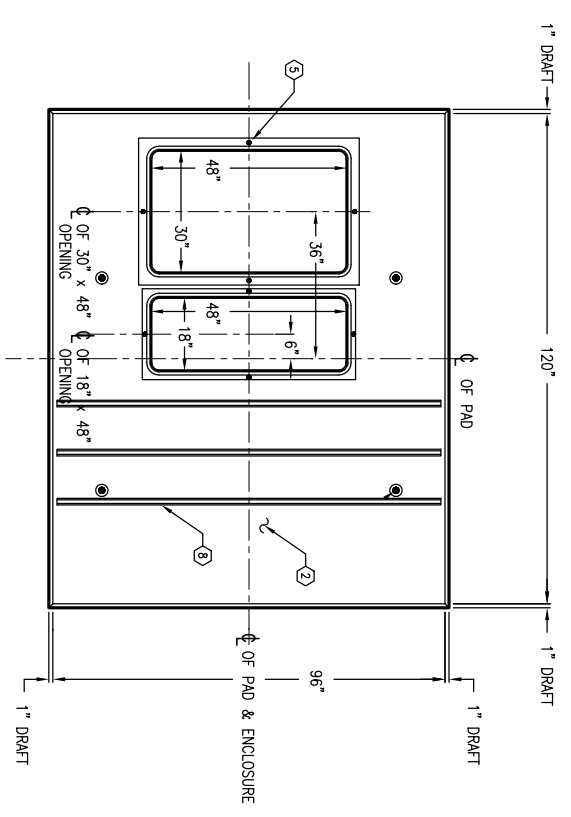
## K810-SB42-12

PER LAD.W.P. SPEC. UB721-07 R-7

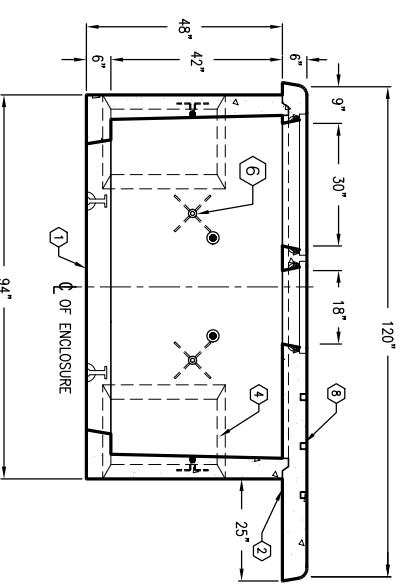
03-01-02



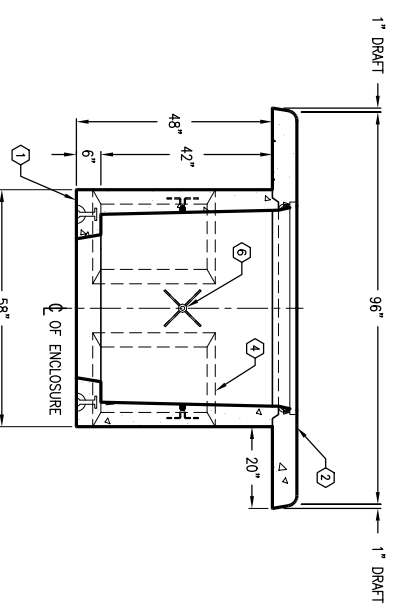
PLAN VIEW W/O TRANSFORMER PAD



PLAN VIEW OF TRANSFORMER PAD



SECTION A-A



SECTION B-B

#	DATE	DESCRIPTION	BY

## K810-SB42-12

PER LAD.W.P. SPEC. UB721-07 R-7

03-01-02