

7'-0" x 11'-0" LADWP TRANSFORMER PAD W/6'-0" x 10'-0" VAULT x 60" DEEP

NOTES:

- VAULT DESIGNED IN ACCORDANCE WITH AASHTO H-20-44 TRAFFIC BRIDGE LOADING USING 5,500 PSI [37.92MPa] COMPRESSIVE STRENGTH CONCRETE AT 28 DAYS AND 60,000 PSI [413.2MPa] YIELD STRENGTH ASTM A-706 STEEL REINFORCEMENT PER CALC. #31580.
- VAULT TO BE PLACED ON A MIN. 6" BASE OF CRUSHER RUN FOR EASE OF INSTALLATION AND EVEN LOAD DISTRIBUTION.
- CONCRETE MIX USED IN POURING THIS PRODUCT SHALL USE FLY ASH AS AN ADMIXTURE.
- EACH CONCRETE SECTION SHALL BE MARKED ON THE INSIDE & OUTSIDE WITH "JENSEN PRECAST", THE DESIGNATION "DWP/FA", AND THE DATE OF POUR.
- EACH CONCRETE SECTION SHALL HAVE CAST-IN ON THE INSIDE "JENSEN", THE YEAR, AND THE DESIGNATION "FA".

ORDERING INFORMATION

K711-SB60-12 FOR ASSEMBLY AS SHOWN,
 APPROVED FOR LADWP, P. SPEC. UB. 721-14
 TOTAL WEIGHT OF ASSEMBLY AS SHOWN IS 21,324 Lbs.

GENERAL NOTES:

1. Minimum soil bearing capacity is hereby assumed to be 2000 PSF unless otherwise documented by a geotechnical report that shall be provided to Jensen Precast by the end user. Jensen Precast shall not be held responsible for the soil bearing capacity.
2. Installation of Manholes, Vaults, Handholes, Meter Boxes etc. will be as per Jensen installation procedures.
3. Structural modification to the Jensen line of products is not permitted without prior written approval from Jensen Engineering Department.
4. Do not scale the drawings, verify all dimensions including rough openings, if any discrepancies are found, notify the Jensen Engineer immediately.
5. The Jensen Engineer will interpret the intent of the drawings in case of possible conflict or discrepancy.
6. Permissible Variations:
 - Dimensional Tolerances – The length, width, height, or dia. measurements of the structure when measured on the inside surfaces shall not deviate from design dimensions by more than the following:

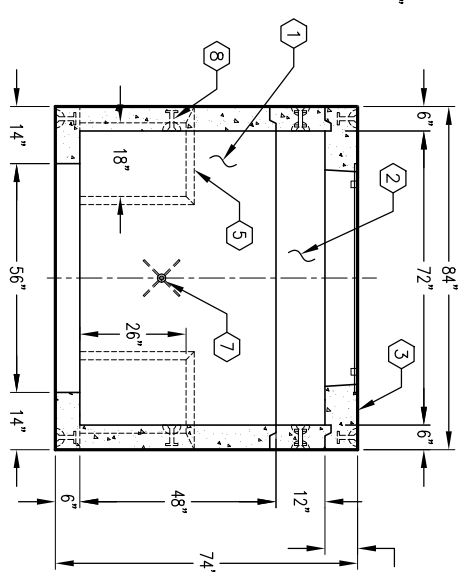
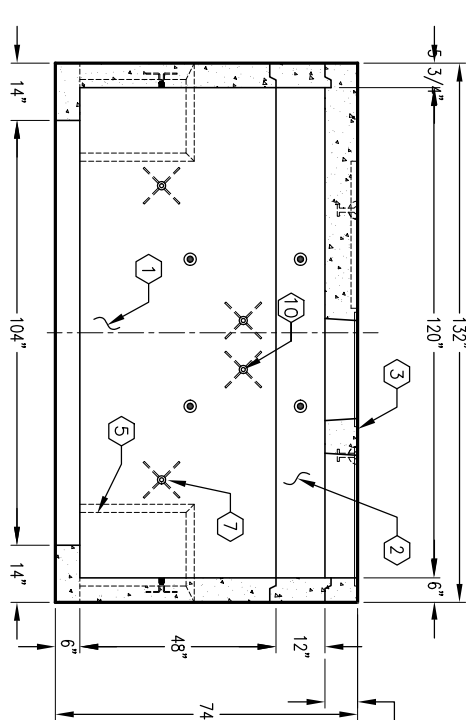
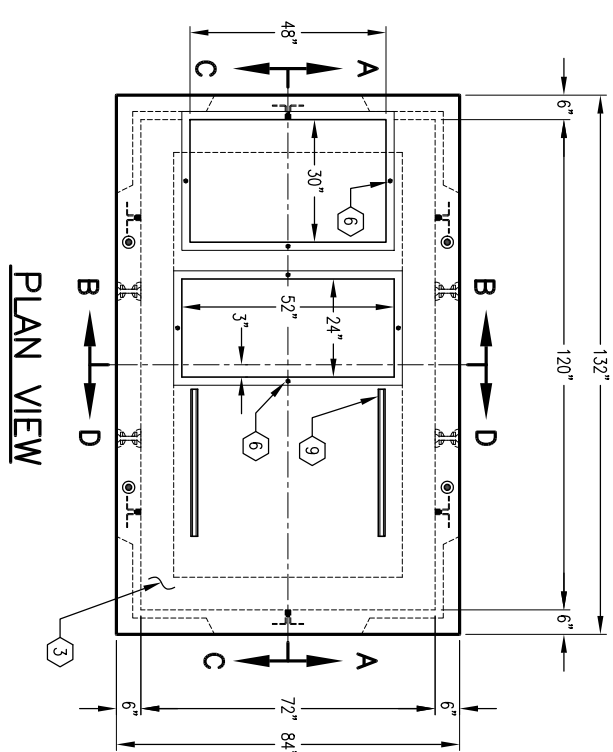
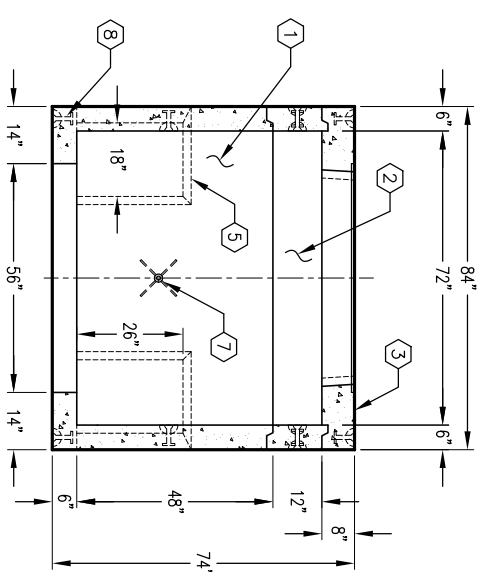
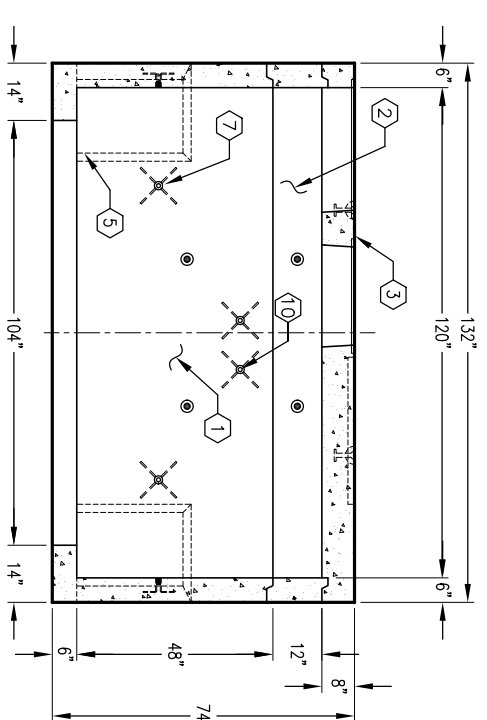
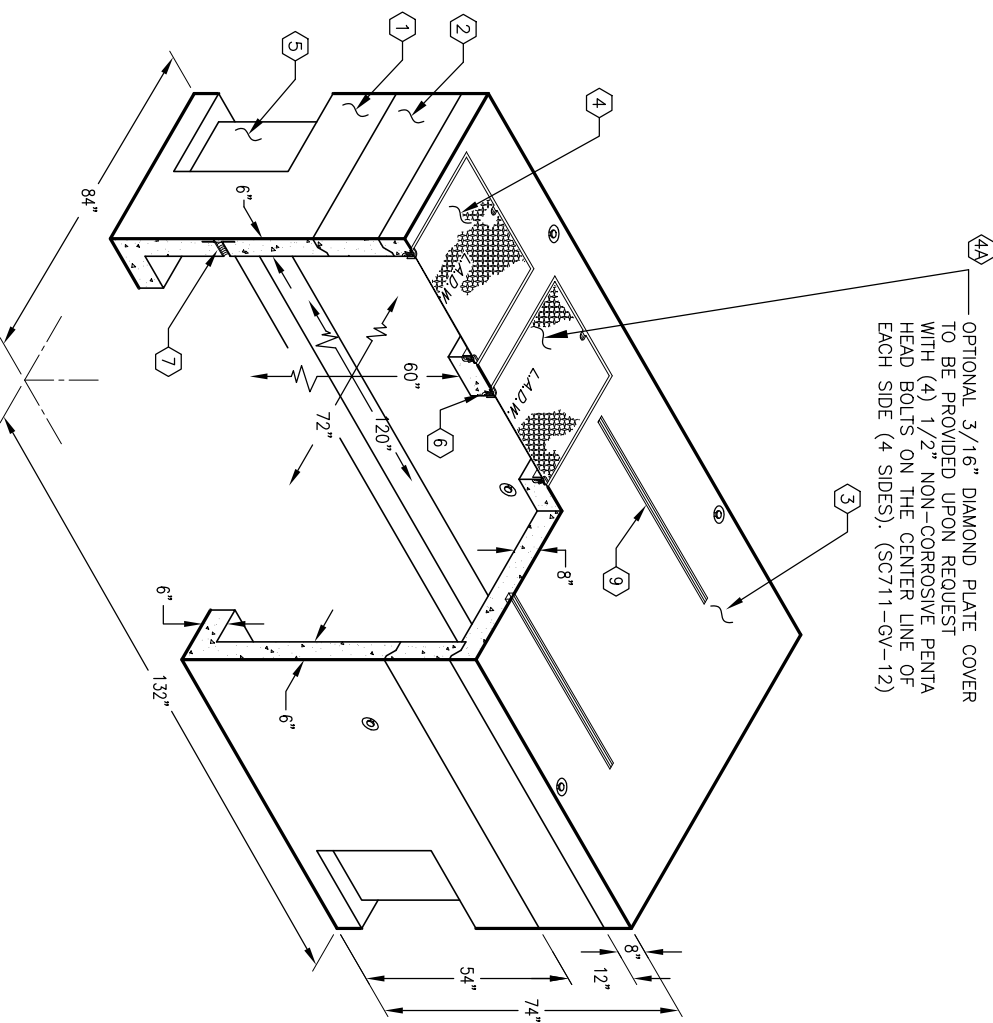
Dimensions:	Tolerance:
0 to 5 Feet	1/4"
5 to 10 Feet	3/8"
10 to 20 Feet as agreed upon between the supplier and purchaser.	Squareness Tolerance:
7. The inside of the precast concrete component shall be square as determined by diagonal measurements. The difference between such measurements shall not exceed the following:

Measured Length:	Allowable Difference
0 to 10 Feet	1/2"
10 to 20 Feet	3/4"

 20 Feet and over, as agreed upon between the supplier and purchaser.

1. SB610-L48-12, 48" LOWER SECTION, WT. 12,600 Lbs.
2. UV610-R12-12, 13 1/2" EXTEN. SECTION, WT. 2,890 Lbs.
3. PD84132-18-12, 8" TRANSFORMER PAD SECTION, WT. 5,834 lbs.
4. SC3048-PAGV-12, (1) PIECE GALV. PARKWAY COVER, W/(4) 1/2" x 1 1/2" PENTA HEAD BOLTS, MARKED "LADWP-E" WITH (2) DROP HANDLES, WT. 204 Lbs.
- 4A. SC711-GV-12, (1) PIECE GALV. TEMPORARY COVER, SPCL. ORDER
5. 16" x 26" KNOCKOUT, BOTTOM SECTION (8) CORE MTD.
6. P-35-T OR 1/2" INSERT WITH CLEAN OUT HOLE, TRANSFORMER PAD SECTION (8) TABLE MTD.
7. 1" DIA. COIL INSERT, BOTTOM SECTION (6) CORE MTD.
9. 1 5/8" x 1 5/8" x 12 GAUGE STRUT x 36" LONG, (UNISTRUT P3200 SERIES) (2 REQ'D).
10. 1/2" DIA. COIL INSERT, BOTTOM SECTION (4) CORE MTD.

OPTIONAL 3/16" DIAMOND PLATE COVER TO BE PROVIDED UPON REQUEST WITH (4) 1/2" NON-CORROSIVE PENTA HEAD BOLTS ON THE CENTER LINE OF EACH SIDE (4 SIDES). (SC711-GV-12)



MINIMUM EXCAVATION SIZE:
 8'-0" x 12'-0" x DEPTH REQ'D.

K711-SB60-12

PER LADWP SPEC. UB721-14 G1, R4

03-01-02



#	DATE	DESCRIPTION	BY

K711-SB60-12

PER LADWP SPEC. UB721-14 G1, R4

03-01-02