

6'-0" x 8'-3" LADWP TRANSFORMER PAD W/4'-0" x 7'-0" PARKWAY ENCLOSURE x 3'-6" DEEP

NOTES:

- CONCRETE DESIGNED IN ACCORDANCE WITH AASHTO H-20-44 TRAFFIC LOADING USING 5,500 PSI [37.92 MPa] COMPRESSIVE STRENGTH CONCRETE AND 60,000 PSI [413.2 MPa] YIELD STRENGTH ASTM A-706 STEEL REINFORCEMENT PER CALCS. #30207.
- VAULT BE PLACED ON A MIN. 6" BASE OF CRUSHER RUN FOR EVEN LOAD DISTRIBUTION AND EASE OF INSTALLATION.
- COVER IS DESIGNED FOR PARKWAY LOADING PER CALCS. #30448.
- CONCRETE MIX USED IN POURING THIS PRODUCT SHALL USE FLY ASH AS AN ADMIXTURE.
- EACH CONCRETE SECTION SHALL BE MARKED ON THE INSIDE & OUTSIDE WITH "JENSEN PRECAST", THE DESIGNATION "DWP/FA.", AND THE DATE OF POUR.
- EACH CONCRETE SECTION SHALL HAVE CAST-IN ON THE INSIDE "JENSEN", THE YEAR, AND THE DESIGNATION "FA."

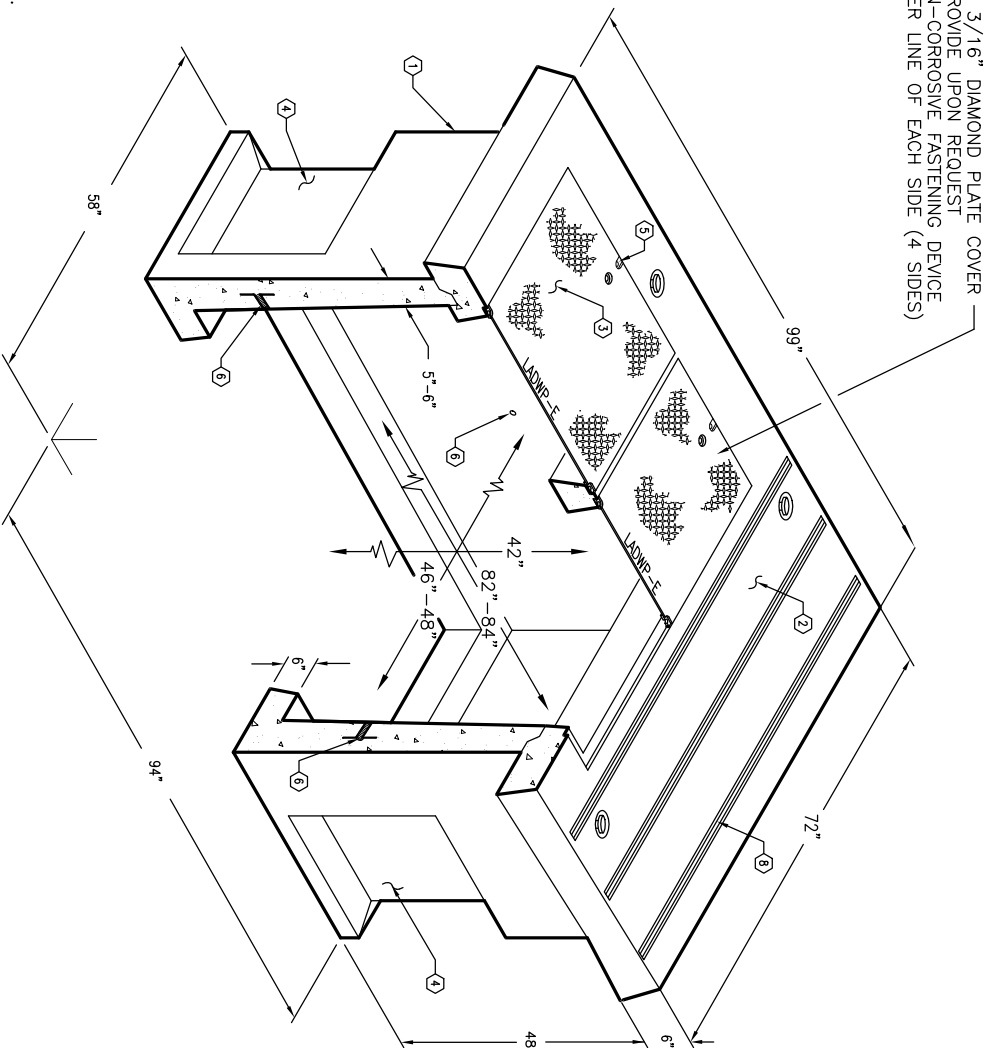
ORDERING INFORMATION:

K68-SB42-12 FOR ASSEMBLY AS SHOWN.
 APPROVED FOR L.A.D.W.P. SPEC. UB721-03 R-6. GROUP 1
 TOTAL WEIGHT OF ASSEMBLY AS SHOWN IS 8,926 LBS.

OPTIONAL 3/16" DIAMOND PLATE COVER
 TO BE PROVIDED UPON REQUEST
 WITH NON-CORROSIVE FASTENING DEVICE
 ON CENTER LINE OF EACH SIDE (4 SIDES)

GENERAL NOTES:

1. Minimum soil bearing capacity is hereby assumed to be 2000 PSF unless otherwise documented by a geotechnical report that shall be provided to Jensen Precast by the end user. Jensen Precast shall not be held responsible for the soil bearing capacity.
2. Installation of Manholes, Vaults, Handholes, Meter Boxes, etc. will be as per Jensen installation procedures.
3. Structural modification to the Jensen line of products is not permitted without prior written approval from Jensen Engineering Department.
4. Do not scale the drawings, verify all dimensions including rough openings, if any discrepancies are found, notify the Jensen Engineer immediately.
5. The Jensen Engineer will interpret the intent of the drawings in case of possible conflict or discrepancy.
6. Permissible Variations:
 Dimensional Tolerances – The length, width, height, or dia. measurements of the structure when measured on the inside surfaces shall not deviate from design dimensions by more than the following:
 Dimensions: Tolerance:
 0 to 5 Feet 1/4"
 5 to 10 Feet 3/8"
 10 to 20 Feet as agreed upon between the supplier and purchaser.
 Squariness Tolerance:
 The inside of the precast concrete component shall be square as determined by diagonal measurements. The difference between such measurements shall not exceed the following:
 Measured Length: Allowable Difference
 0 to 10 Feet 1/2"
 10 to 20 Feet 3/4"
 20 Feet and over as agreed upon between the supplier and purchaser.
- 7.



MINIMUM EXCAVATION SIZE:
 5'-6" x 8'-6" x DEPTH REQ'D.

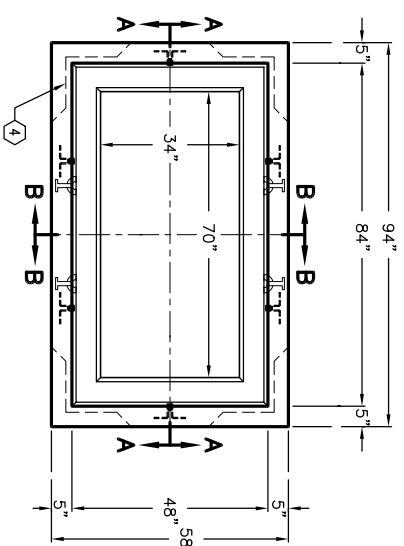
K68-SB42-12

PER L.A.D.W.P. SPEC. UB721-03 R-6 G1

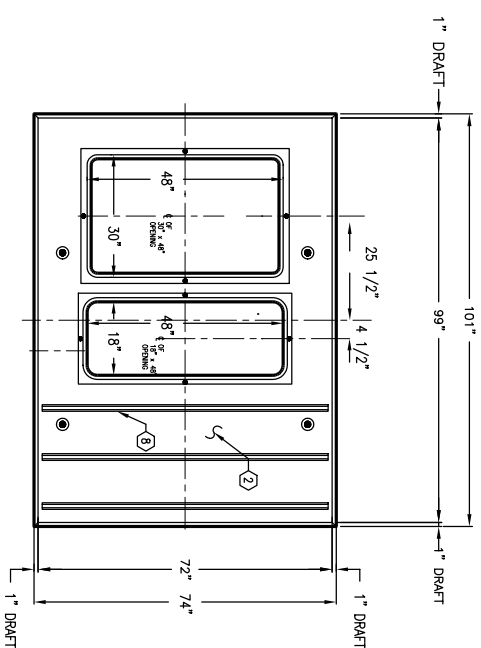
03-01-02



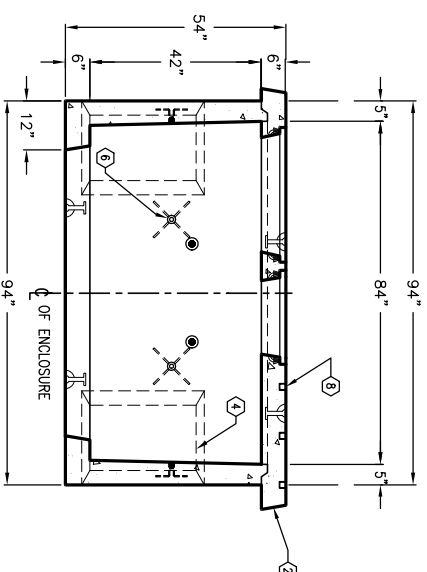
AUTOCAD REL. 14



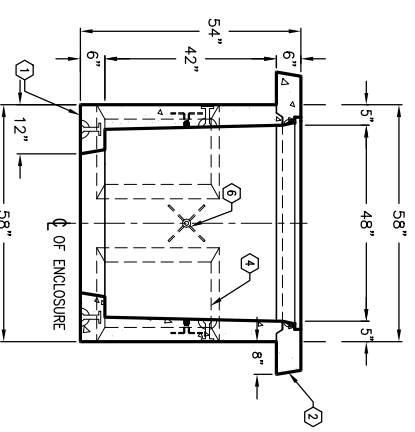
PLAN VIEW W/O TRANSFORMER PAD



PLAN VIEW OF TRANSFORMER PAD



SECTION A-A



SECTION B-B



#	DATE	DESCRIPTION	BY

K68-SB42-12

PER L.A.D.W.P. SPEC. UB721-03 R-6 G1

03-01-02