

4'-0" x 5'-0" LADWP TRAFFIC VAULT NECK WITH CONCRETE COVER

NOTES:

■ DESIGNED IN ACCORDANCE WITH AASHTO H-20-44 TRAFFIC LOADING USING 5,500 PSI [37.92MPa] COMPRESSIVE STRENGTH CONCRETE AND 60,000 PSI [413.2MPa] YIELD STRENGTH GRADE 60 A-706 STEEL REINFORCEMENT PER CALCS. #31599.

■ COVER DESIGNED FOR AASHTO H-20-44 TRAFFIC LOADING.

■ CONCRETE MIX USED IN POURING THIS PRODUCT SHALL USE FLY-ASH AS AN ADMIXTURE.

■ EACH CONCRETE SECTION SHALL BE MARKED ON THE INSIDE & OUTSIDE WITH "JENSEN PRECAST", THE DESIGNATION "DWP/FA.", AND THE DATE OF POUR.

■ EACH CONCRETE SECTION SHALL HAVE CAST-IN ON THE INSIDE "JENSEN", THE YEAR, AND THE DESIGNATION "FA".

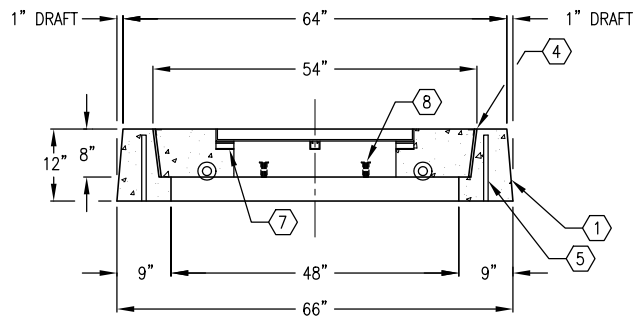
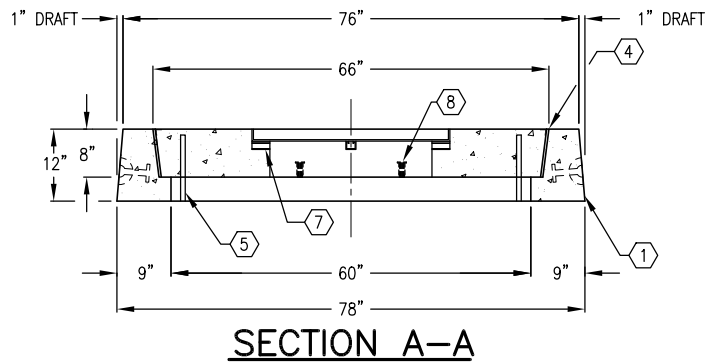
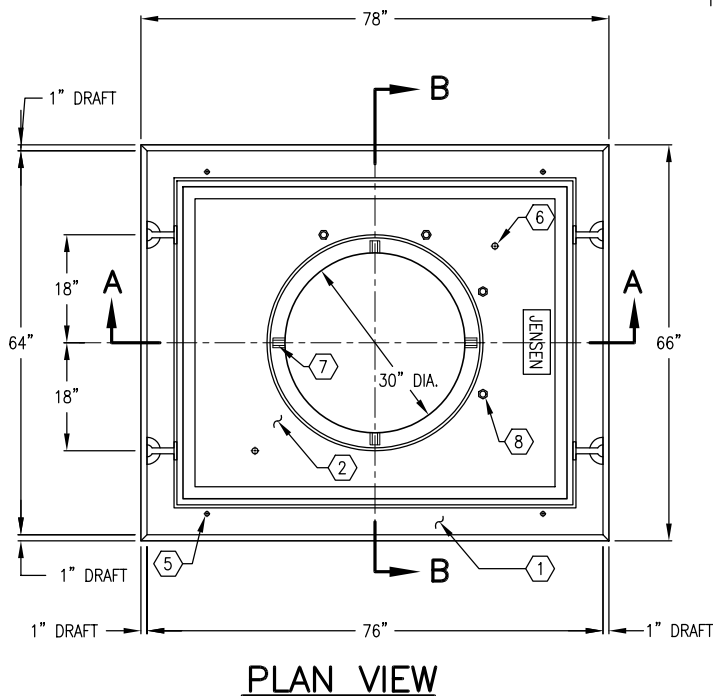
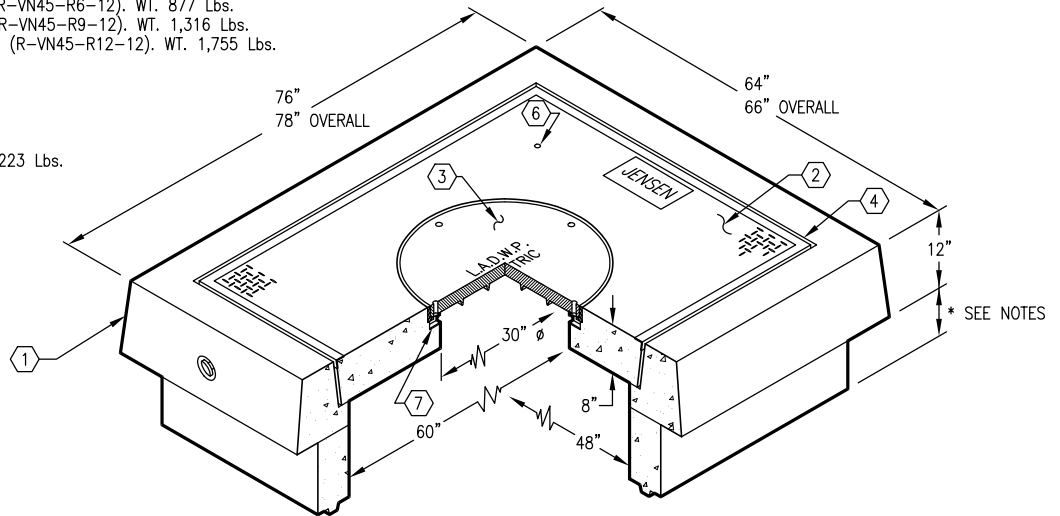
***EXTENSION ARE AVAILABLE IN THE FOLLOWING SIZES:**

- A) VN45-R6-12, 6" EXTENSION SECTION (R-VN45-R6-12). WT. 877 Lbs.
- B) VN45-R9-12, 9" EXTENSION SECTION (R-VN45-R9-12). WT. 1,316 Lbs.
- C) VN45-R12-12, 12" EXTENSION SECTION (R-VN45-R12-12). WT. 1,755 Lbs.

- 1. VN45-N12-12, 12" NECK SECTION. WT. 1,949 Lbs.
- 2. VN45-T8-12, 8" COVER SECTION W/CAST-IN A-1106 RING, SURFACE TO BE DIAMOND PLATE IMPRINT. WT. 1,984 Lbs.
- 3. A-1106, 30" DIAMETER ALHAMBRA FOUNDRY COVER MARKED "L.A.D.W.P. ELECTRIC". WT. 290 Lbs.
- 4. 3/8" x 8" EXPANDED FELT.
- 5. 3/4" COIL THREADED ADJUSTING BOLT HOLE x 11" LONG. LOCATE AS FOLLOWS: NECK SECTION (4) TONGUE FORMER MTD.
- 6. 1" DIAMETER THRU HOLE. LOCATE AS FOLLOWS: COVER SECTION (2) TABLE MTD. OPPOSITE CORNERS W/NEOPRENE PLUGS.
- 7. CLEANOUT HOLES.
- 8. 1/2" PLASTIC INSERT. LOCATE AS FOLLOWS: COVER SECTION (4) CORE DECK MTD.

ORDERING INFORMATION:

K45-VN12-12T FOR ASSEMBLY AS SHOWN.
 APPROVED FOR L.A.D.W.P. SPEC. 1-802 2B.
 TOTAL WEIGHT FOR ASSEMBLY AS SHOWN IS 4,223 Lbs.



#	DATE	DESCRIPTION	BY