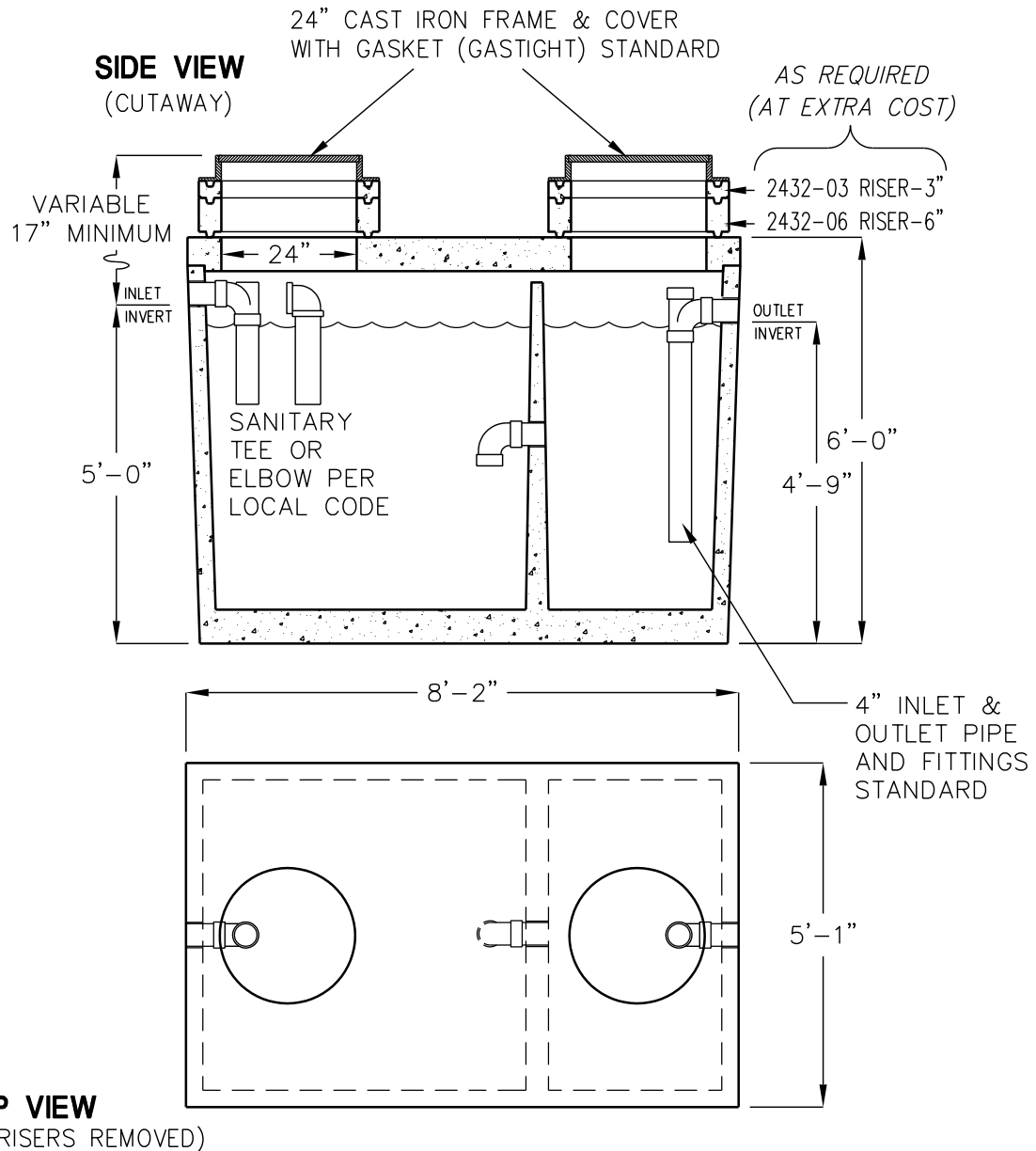


1000 GALLON SAND-OIL INTERCEPTOR

MODEL JP1000EE-SO
ACCEPTED BY UPC®



LIQUID CAPACITY: 1,000 GALLONS.

BOX DESIGN LOAD: H-20 TRAFFIC FROM 1' TO 6' OF SOIL COVER.

FOR COMPLETE DESIGN AND PRODUCT INFORMATION CONTACT JENSEN PRECAST.