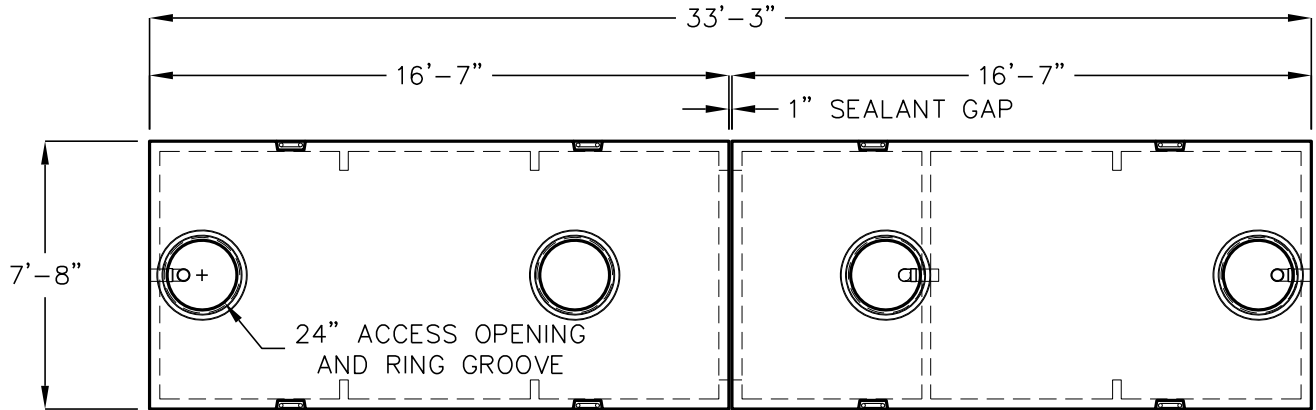
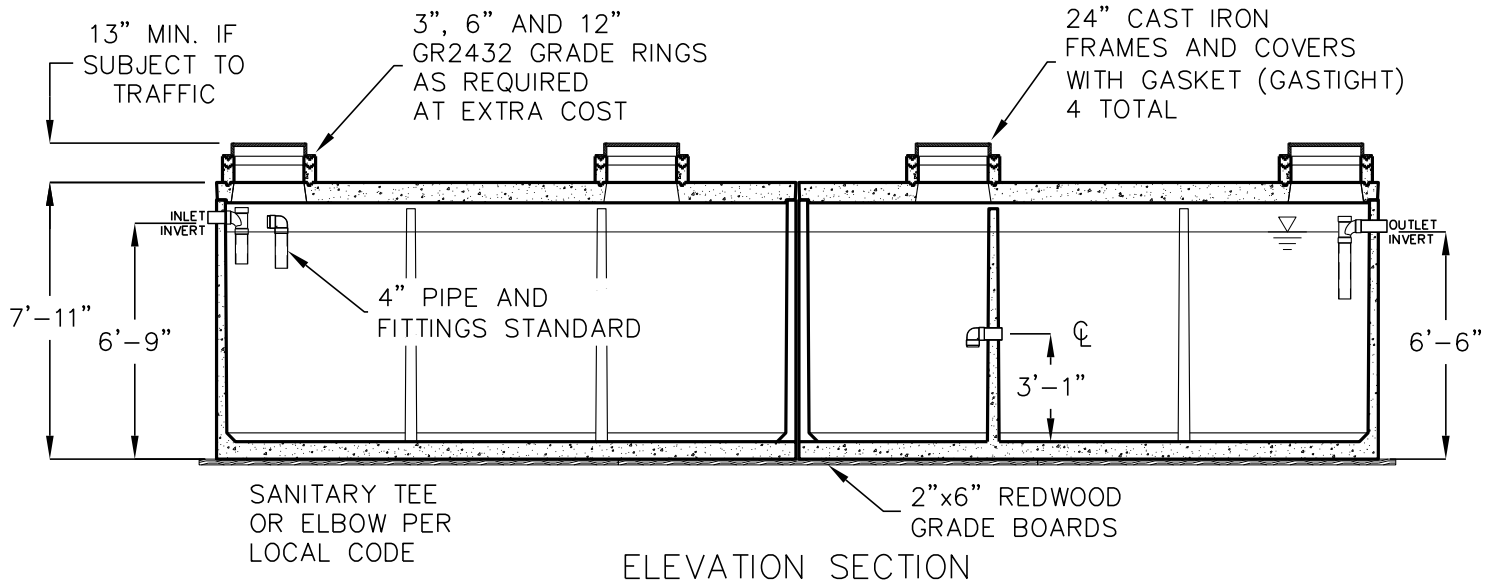


10,000 GALLON BATTERY SAND-OIL INTERCEPTOR

MODEL 2xJZ5000-SO



PLAN VIEW
(RINGS AND COVERS NOT SHOWN)



ELEVATION SECTION

MINIMUM EXCAVATION 8'-8" x 34'-3" x REQ'D DEPTH

OPERATING CAPACITY: 10,000 GALLONS.

DESIGN LOAD: H-20 TRAFFIC WITH DRY SOIL CONDITIONS
(WATER LEVEL BELOW TANK) AND 13 INCHES TO 4 FEET OF SOIL COVER.

SUITABLE SUB-BASE BEDDED WITH GRANULAR MATERIAL SHALL BE PREPARED TO HANDLE ANTICIPATED LOADS.

FOR COMPLETE DESIGN AND PRODUCT INFORMATION CONTACT JENSEN PRECAST.

Jensen Precast reserves the right to make changes to product design and/or dimensions without notice. Please contact Jensen Precast whenever necessary for confirmation or advice on product design.