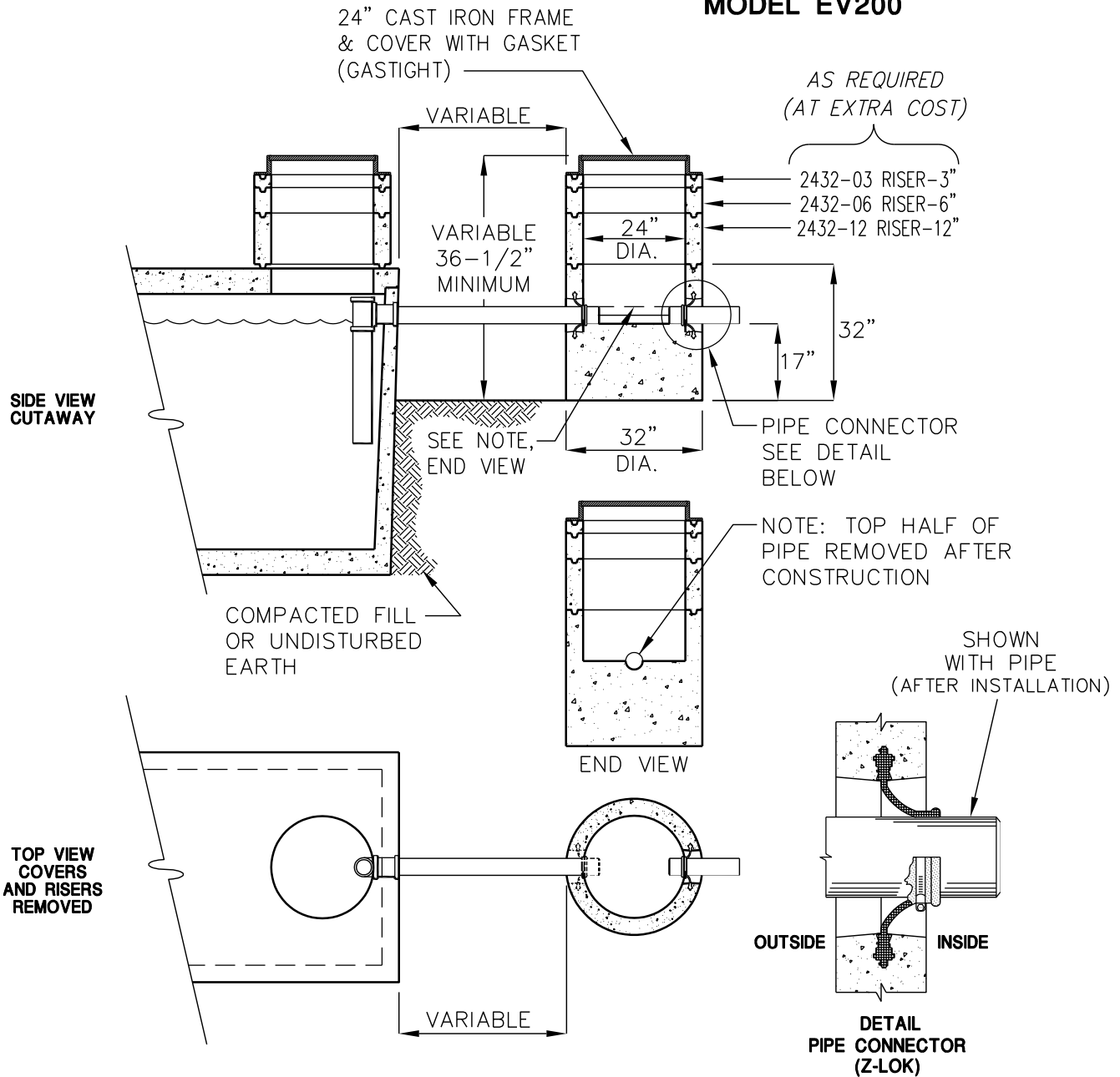


SAMPLE BOX WITH PIPE CONNECTORS

MODEL EV200



WEIGHT: 1680 LBS.
BOX DESIGN LOAD: H-20 TRAFFIC

SAMPLE BOX MUST BE PLACED ON SUITABLE BASE OF COMPACTED SOIL OR UNDISTURBED EARTH IN TRAFFIC CONDITION. FOR COMPLETE DESIGN AND PRODUCT INFORMATION, CONTACT JENSEN PRECAST.

PIPE CONNECTOR CAST INTEGRALLY IN WALL. WILL ACCEPT PIPE O.D. (INCHES)

MIN.	MAX.
4.25	6.25

SEE PIPE CONNECTOR PAGE FOR ADDITIONAL INFORMATION