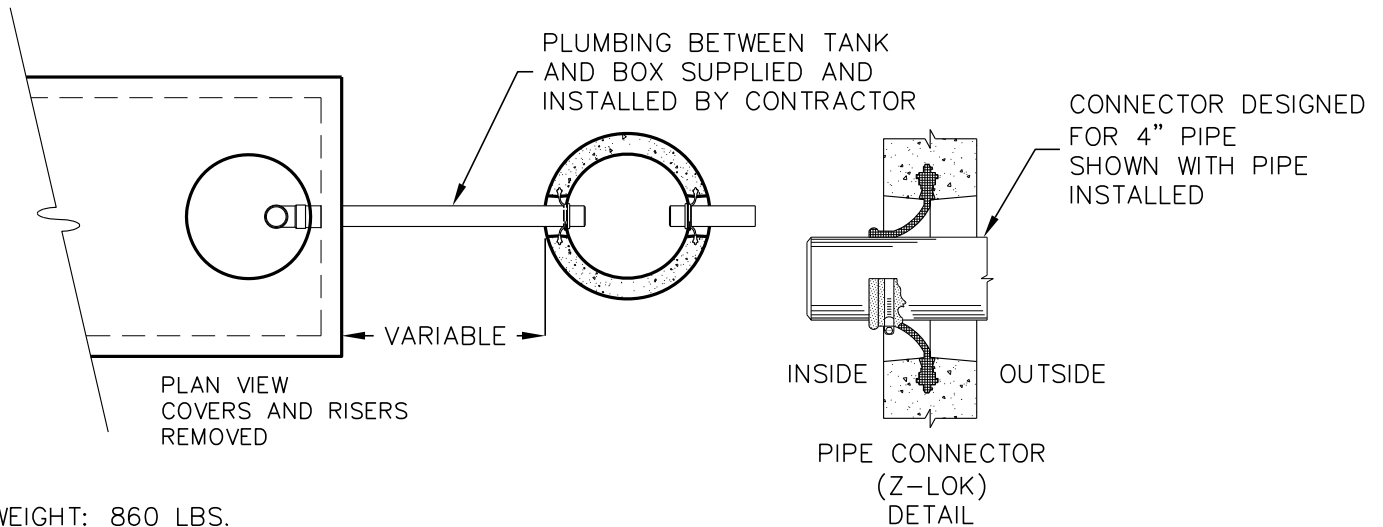
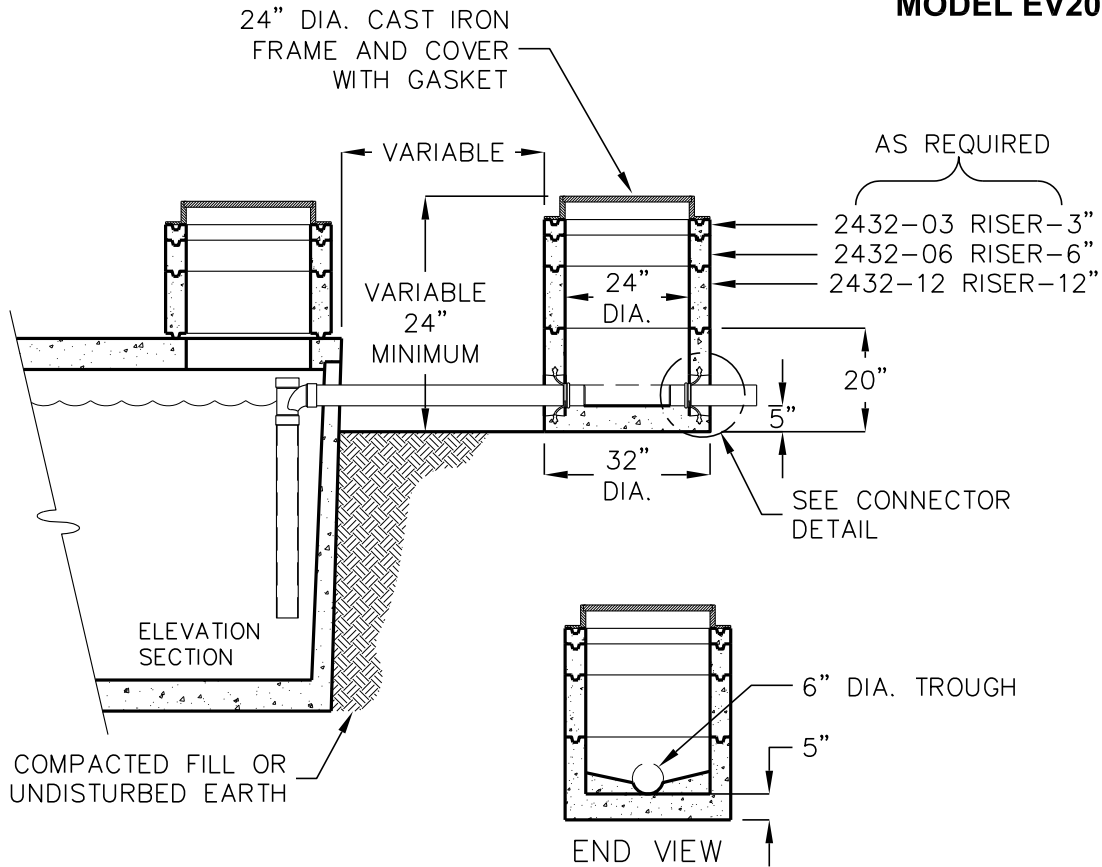


SAMPLE BOX WITH PIPE CONNECTORS

MODEL EV200



BOX WEIGHT: 860 LBS.
 BOX DESIGN LOAD: H-20 TRAFFIC
 BOX I.D. SURFACE AREA: 3.142 SQ. FT.

SAMPLE BOX MUST BE PLACED ON SUITABLE BASE OF COMPACTED SOIL OR UNDISTURBED EARTH IN TRAFFIC CONDITION.

FOR COMPLETE DESIGN AND PRODUCT INFORMATION CONTACT JENSEN PRECAST.

Jensen Precast reserves the right to make changes to product design and/or dimensions without notice. Please contact Jensen Precast whenever necessary for confirmation or advice on product design.