

2000 GALLON CLARIFIER

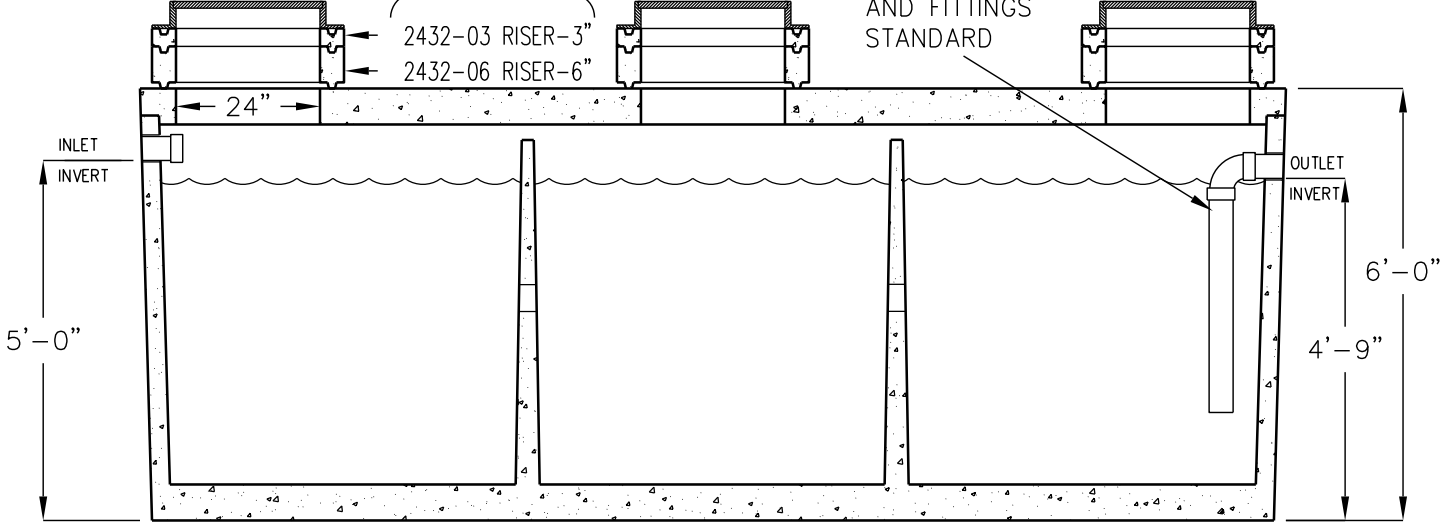
MODEL CL2000
ACCEPTED BY UPC®

24" CAST IRON FRAME & COVER
WITH GASKET (GASTIGHT), STANDARD

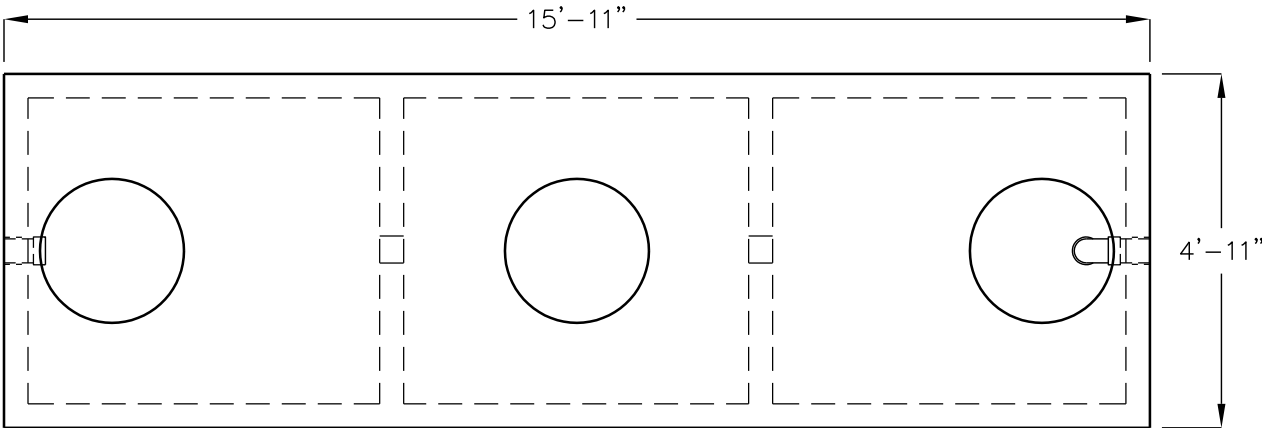
AS REQUIRED
(AT EXTRA COST)

4" INLET
& OUTLET PIPE
AND FITTINGS
STANDARD

2432-03 RISER-3"
2432-06 RISER-6"



SIDE VIEW (CUTAWAY)



**TOP VIEW
(COVERS REMOVED)**

LIQUID CAPACITY: 2,000 GALLONS.

BOX DESIGN LOAD: H-20 TRAFFIC FROM
1' TO 6' OF SOIL COVER.

FOR COMPLETE DESIGN AND PRODUCT
INFORMATION CONTACT JENSEN PRECAST.