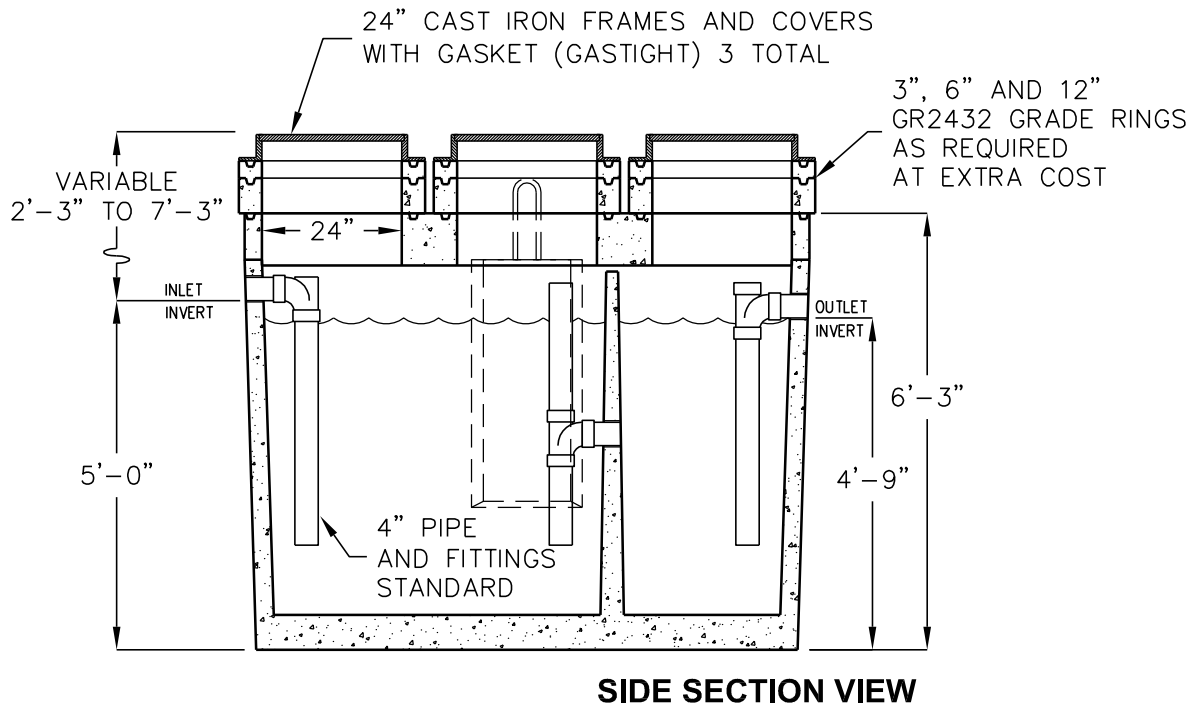
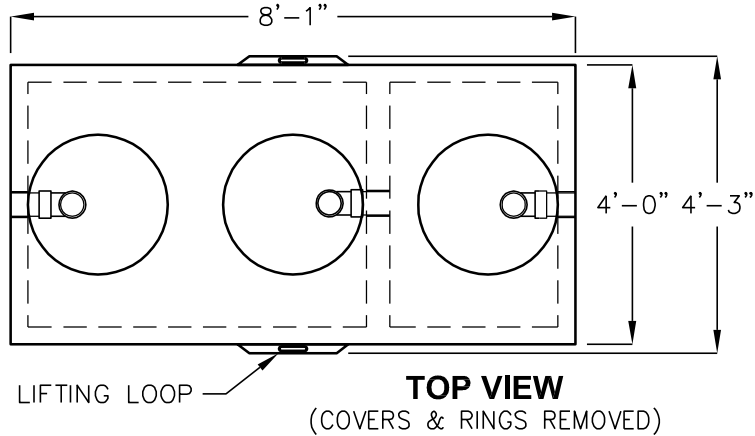


750 GALLON GREASE INTERCEPTOR

MODEL JP750ECE-G
LISTED BY UPC®

NAPA AND PLACER COUNTY,
CITY OF ROSEVILLE



OPERATING CAPACITY: 750 GALLONS.

DESIGN LOAD: H-20 TRAFFIC WITH DRY SOIL CONDITIONS
(WATER LEVEL BELOW TANK) AND 1'-6' EARTH COVER.

SUITABLE SUB-BASE BEDDED WITH GRANULAR MATERIAL SHALL BE
PREPARED TO HANDLE ANTICIPATED LOADS.

FOR COMPLETE DESIGN AND PRODUCT INFORMATION
CONTACT JENSEN PRECAST.

<p>MINIMUM EXCAVATION 5'-3" x 9'-1" x REQ'D DEPTH</p>
