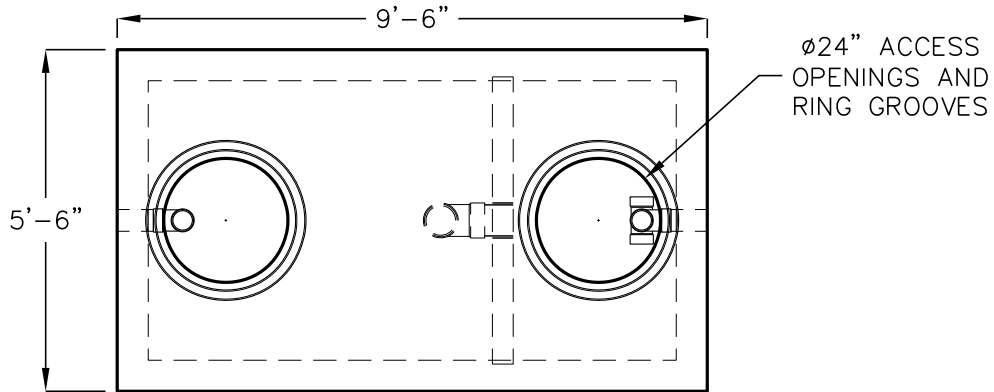
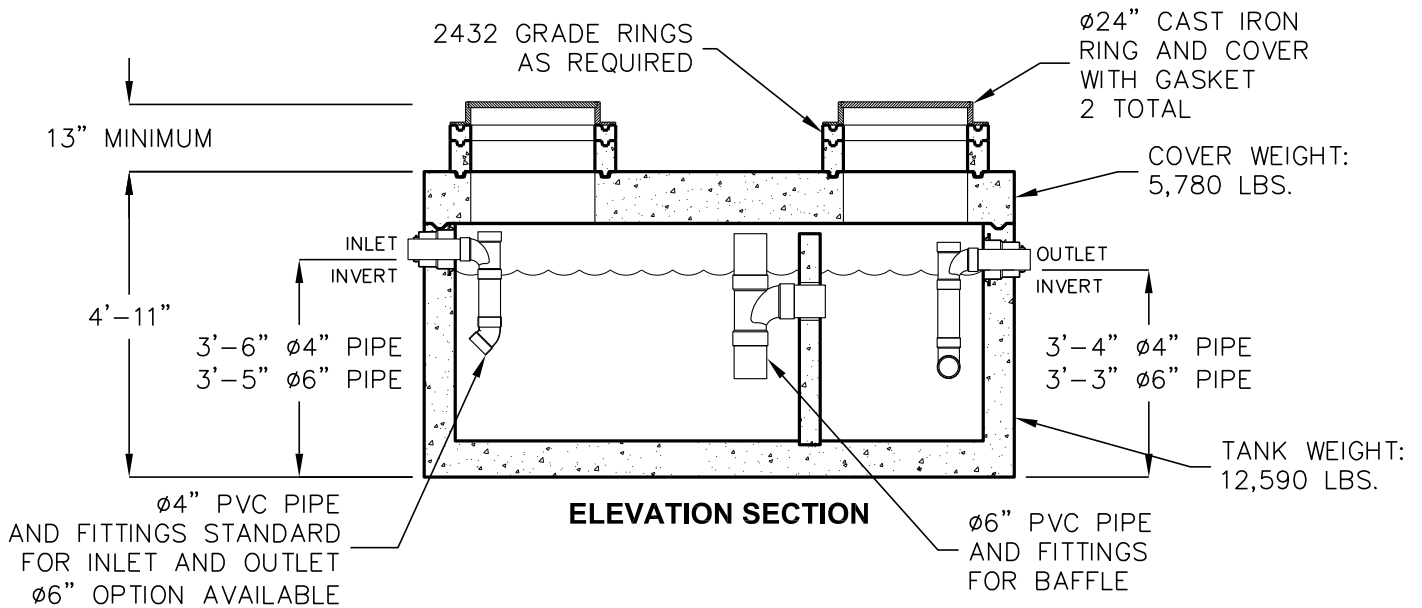


750 GALLON GREASE INTERCEPTOR

MODEL MU750-EE-G2
SPECIAL LOADING CONDITIONS



PLAN VIEW



ELEVATION SECTION

OPERATING CAPACITY: 750 GALLONS.

DESIGN LOADS:

CONDITION 1- H-20 TRAFFIC WITH DRY SOIL CONDITIONS (WATER LEVEL BELOW TANK) AND 13 INCHES TO 14 FEET SOIL COVER.

CONDITION 2- H-20 TRAFFIC WITH WATER LEVEL 2 FEET BELOW GRADE AND 13 INCHES TO 6 FEET SOIL COVER.

SUITABLE SUB-BASE BEDDED WITH GRANULAR MATERIAL SHALL BE PREPARED TO HANDLE ANTICIPATED LOADS.

FOR COMPLETE DESIGN AND PRODUCT INFORMATION CONTACT JENSEN PRECAST.

MINIMUM EXCAVATION
6'-6" x 10'-6"
x REQ'D DEPTH

C Jensen Precast reserves the right to make changes to product design and/or dimensions without notice. Please contact Jensen Precast whenever necessary for confirmation or advice on product design.