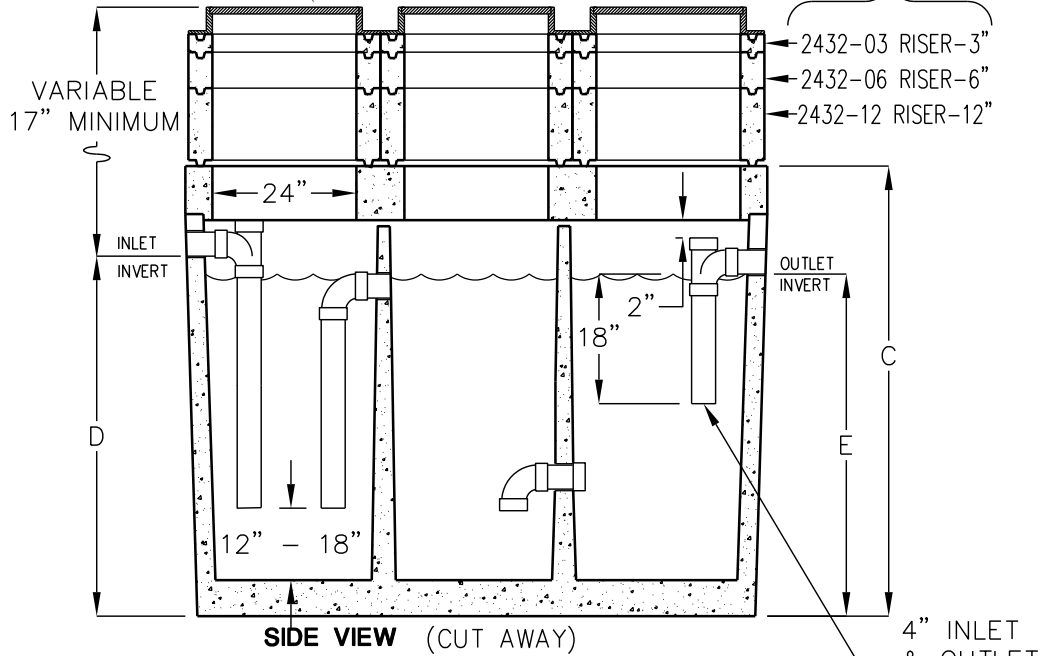


GREASE INTERCEPTORS

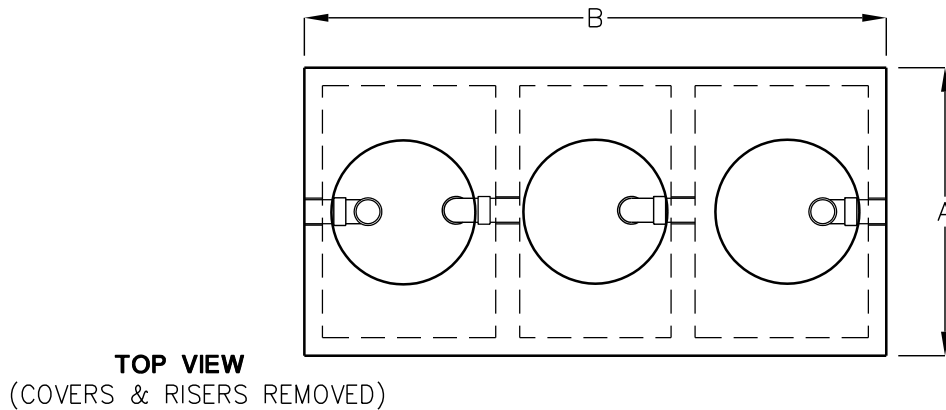
750 - 1500 GALLONS
 MARICOPA COUNTY STANDARD
 CITY OF PHOENIX

AS REQUIRED
 (AT EXTRA COST)

24" CAST IRON
 FRAME & COVER
 WITH GASKET
 (GASTIGHT) STANDARD



4" INLET
 & OUTLET
 PIPE AND
 FITTINGS
 STANDARD



MODEL NUMBER	LIQUID CAPACITY GALLONS	DIMENSION A	DIMENSION B	DIMENSION C	DIMENSION D	DIMENSION E	MINIMUM EXCAVATION WIDTH	MINIMUM EXCAVATION LENGTH
CL750ECE-G	750	4'-0"	8'-1"	6'-3"	5'-0"	4'-9"	5'-0"	9'-1"
CL1000ECE-G	1000	5'-1"	8'-2"	6'-3"	5'-0"	4'-9"	6'-1"	9'-2"
CL1200ECE-G	1200	5'-9"	8'-6"	6'-6"	5'-0"	4'-9"	6'-9"	9'-6"
CL1500ECE-G	1500	5'-7"	10'-8"	6'-3"	5'-0"	4'-9"	6'-7"	11'-8"

BOX DESIGN LOAD: H-20 TRAFFIC.

FOR COMPLETE DESIGN AND PRODUCT INFORMATION CONTACT JENSEN PRECAST.