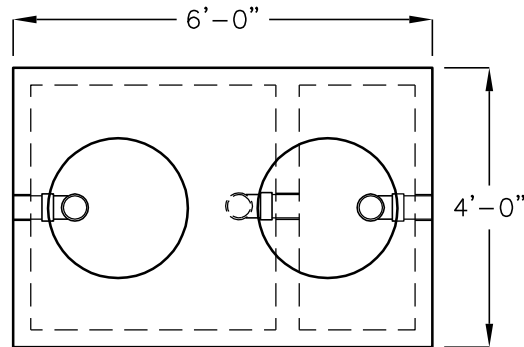
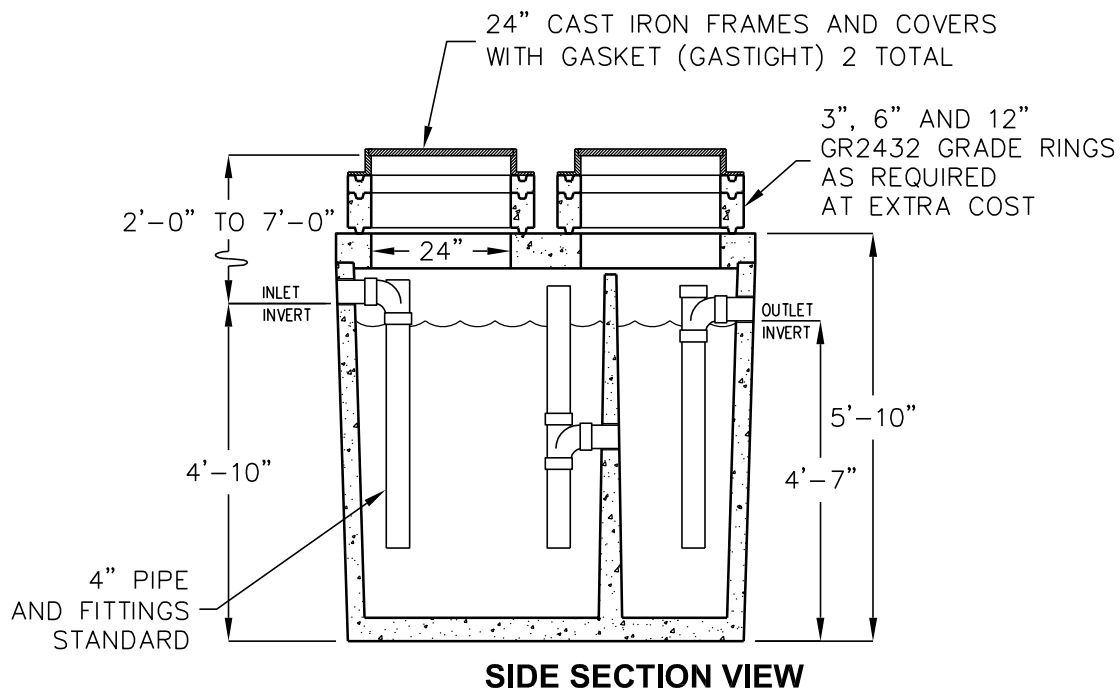


# 500 GALLON GREASE INTERCEPTOR

MODEL JP500EE-G  
LISTED BY UPC®



**TOP VIEW**  
(COVERS & RINGS REMOVED)



OPERATING CAPACITY: 500 GALLONS.

DESIGN LOAD: H-20 TRAFFIC WITH DRY SOIL CONDITIONS  
(WATER LEVEL BELOW TANK) AND 1'-6" EARTH COVER.

SUITABLE SUB-BASE BEDDED WITH GRANULAR MATERIAL SHALL BE  
PREPARED TO HANDLE ANTICIPATED LOADS.

FOR COMPLETE DESIGN AND PRODUCT INFORMATION  
CONTACT JENSEN PRECAST.

MINIMUM EXCAVATION  
5'-0" x 7'-0"  
x REQ'D DEPTH