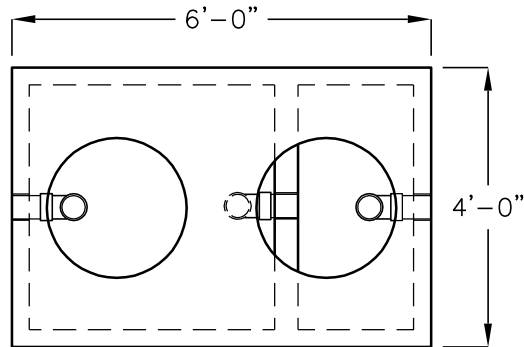
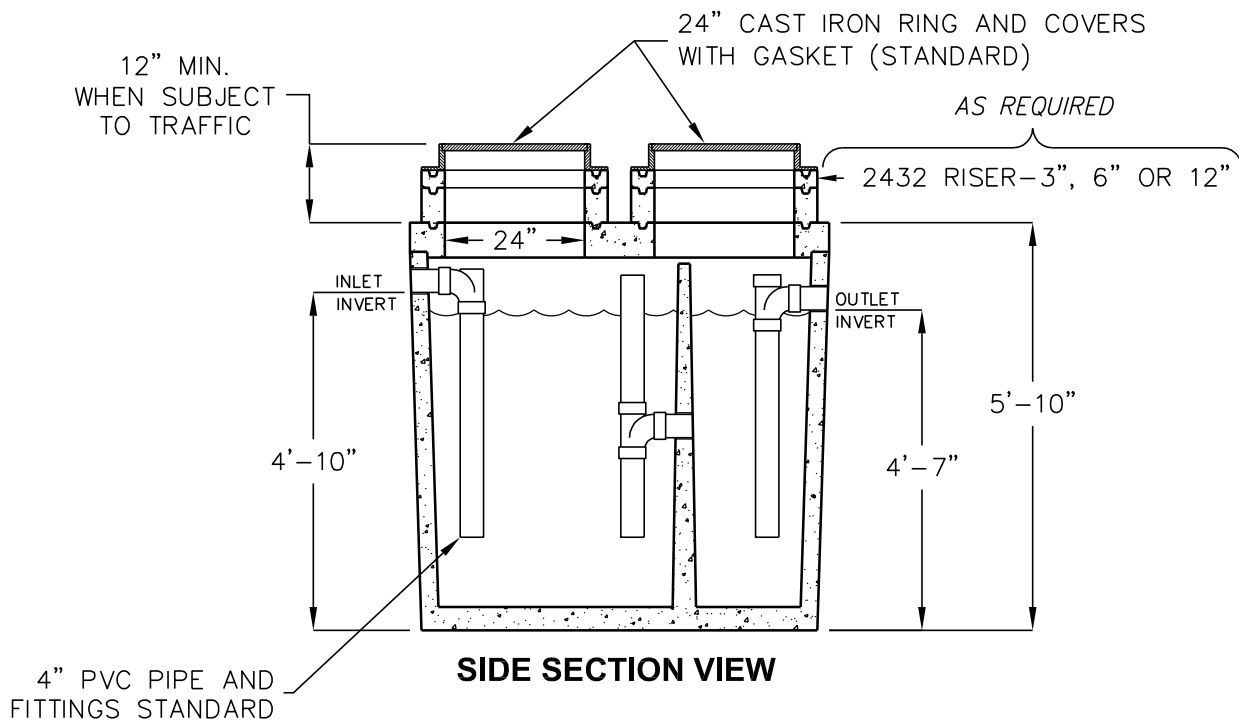


# 500 GALLON GREASE INTERCEPTOR

MODEL JP500G  
TRAFFIC RATED LISTED BY UPC®



**PLAN VIEW**  
(COVERS & RISERS REMOVED)



**SIDE SECTION VIEW**

OPERATING CAPACITY: 500 GALLONS.

DESIGN LOAD: H-20 TRAFFIC WITH DRY SOIL CONDITIONS (WATER LEVEL BELOW TANK) AND 1'-6" EARTH COVER.

SUITABLE SUB-BASE BEDDED WITH GRANULAR MATERIAL SHALL BE PREPARED TO HANDLE ANTICIPATED LOADS.

FOR COMPLETE DESIGN AND PRODUCT INFORMATION CONTACT JENSEN PRECAST.

MINIMUM EXCAVATION  
5'-0" x 7'-0"  
x REQ'D DEPTH