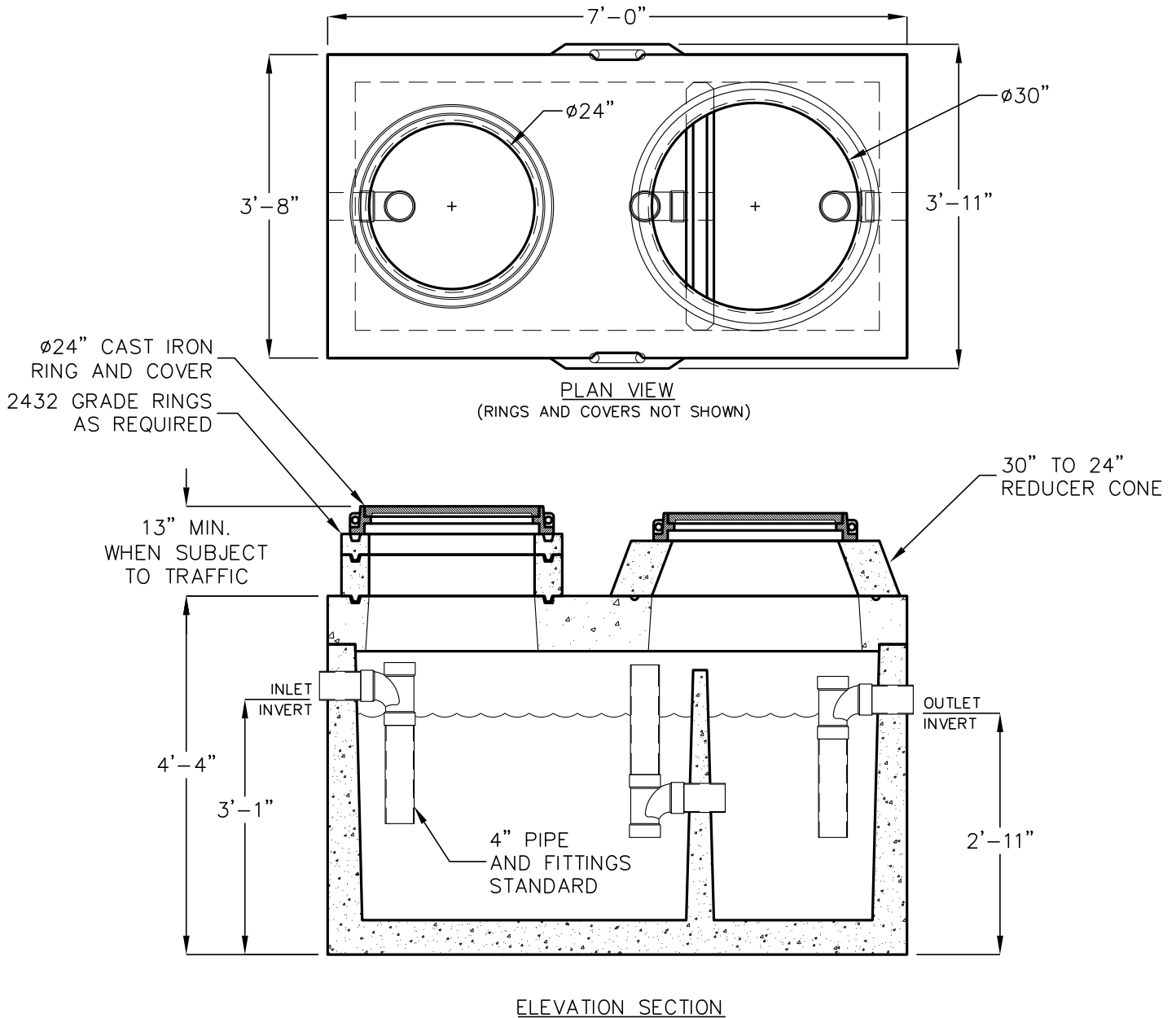


320 GALLON GREASE INTERCEPTOR

MODEL HJ320-EE-G
LISTED BY UPC®



OPERATING CAPACITY: 320 GALLONS.

DESIGN LOAD: H-20 TRAFFIC WITH 13 INCHES TO 6 FEET OF EARTH COVER AND WATER TABLE AT ONE FOOT BELOW FINISHED GRADE

BEDDING NOTE: SUITABLE SUB-BASE BEDDED WITH GRANULAR MATERIAL SHALL BE PREPARED TO HANDLE ANTICIPATED LOADS.

FOR COMPLETE DESIGN AND PRODUCT INFORMATION CONTACT JENSEN PRECAST.

MINIMUM EXCAVATION 4'-8" x 8'-0" x REQ'D DEPTH
--

Jensen Precast reserves the right to make changes to product design and/or dimensions without notice. Please contact Jensen Precast whenever necessary for confirmation or advice on product design.

JENSEN
PRECAST