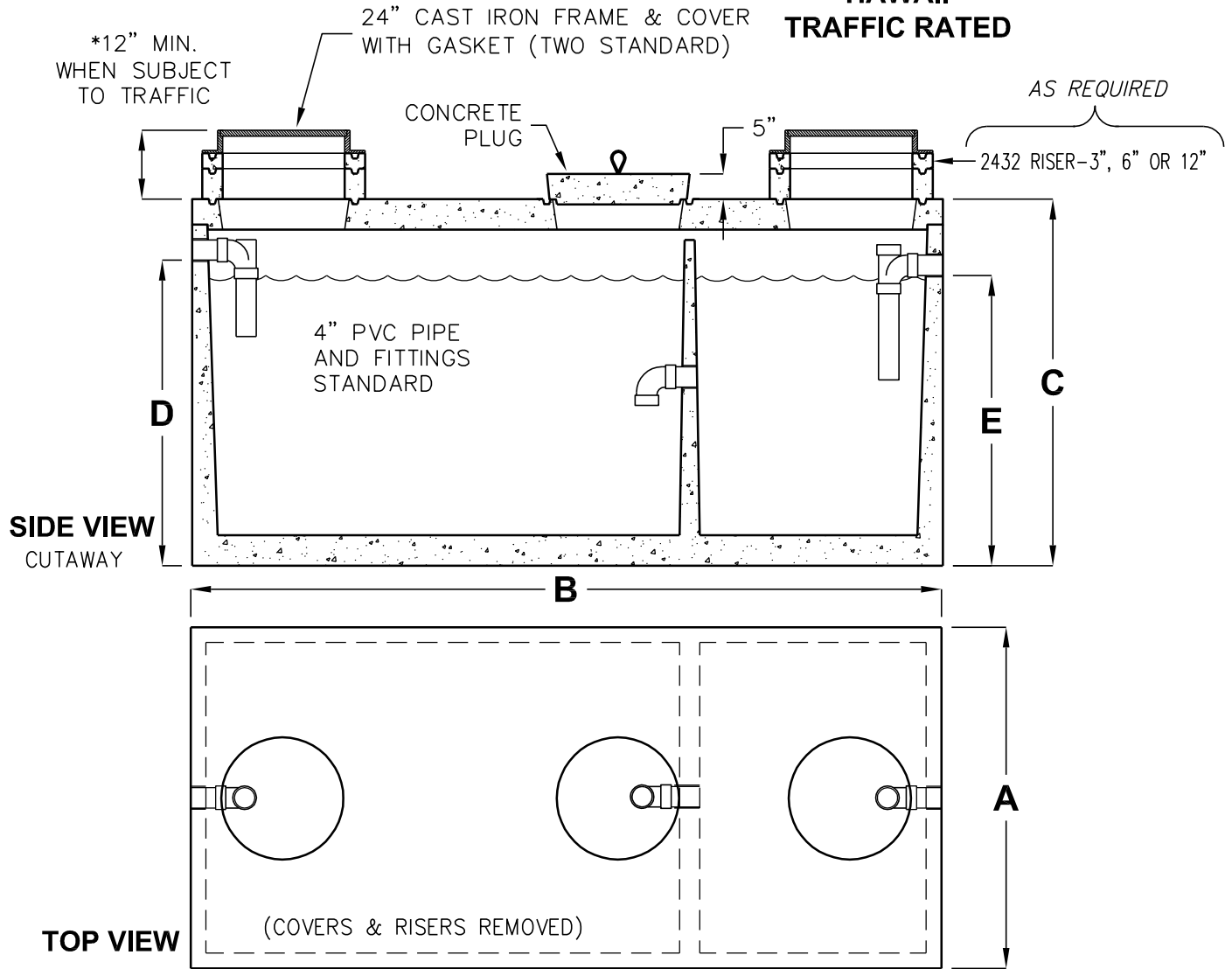


HJ2000 - HJ3000 GALLON SEPTIC TANKS

HAWAII
TRAFFIC RATED



MODEL NUMBER	LIQUID CAPACITY GALLONS	WIDTH 'A'	OVERALL LENGTH 'B'	TANK HEIGHT 'C'	INLET 'D'	OUTLET 'E'	MINIMUM EXCAVATION WIDTH	MINIMUM EXCAVATION LENGTH	* DEPTH OF BURY	MAX. LIFT WEIGHT
HJ2000ST	2000	7'-2"	16'-2"	4'-11"	3'-10"	3'-7"	8'-0"	17'-0"	6' MAX.	26,000
HJ2500ST	2500	7'-2"	16'-2"	5'-8"	4'-7"	4'-4"	8'-0"	17'-0"	6' MAX.	29,000
HJ3000ST	3000	9'-1"	17'-1"	5'-6"	4'-1"	3'-10"	10'-0"	18'-0"	6' MAX.	34,000

- TANK DESIGNED FOR H-20 TRAFFIC WHEEL LOAD WITH 1' TO 6' MAX. EARTH COVER AND WATER TABLE AT ONE FOOT BELOW GRADE.
- SUITABLE NATIVE SOIL OR GRANULAR SUB-BASE SHALL BE COMPACTED AND LEVELED TO HANDLE ANTICIPATED LOADS. SEE INSTALLATION PROCEDURES SHEET FOR ADDITIONAL INFO.
- EXTERIOR AND INTERIOR CONCRETE SURFACES TO BE COATED WITH AN APPROVED BITUMINOUS MATERIAL.

THE DESIGN AND DETAIL OF THIS DRAWING ARE THE PROPERTY OF JENSEN PRECAST AND NOT TO BE USED EXCEPT IN CONNECTION WITH ITS OWN WORK. DESIGN AND INVENTION RIGHTS ARE RESERVED.

- FOR COMPLETE DESIGN AND PRODUCT INFORMATION CONTACT JENSEN PRECAST.