

# 4'-0" x 5'-0" SCG PARKWAY HANDHOLE (76-9404) x 3'-8 3/4" DEEP

**NOTES:**

- HANDHOLE DESIGNED IN ACCORDANCE WITH AASHTO H-20-44 TRAFFIC BRIDGE LOADING USING 5,500 PSI [37,92MPa] COMPRESSIVE STRENGTH CONCRETE AND 60,000 PSI [413.2MPa] YIELD STRENGTH ASTM A-706 STEEL REINFORCEMENT PER CALCS. #31179.
- COVER DESIGNED FOR PARKWAY LOADING PER CALCS. #31177.
- SEE CALC. #31173 AND DRAWING NUMBER 450-164 FOR TRAFFIC APPLICATIONS.
- HANDHOLE TO BE PLACED ON A MIN. 6" BASE OF CRUSHER RUN FOR EASE OF INSTALLATION AND EVEN LOAD DISTRIBUTION.
- INSTALL (4) 1/2" x 2 1/2" HEX HEAD BOLT (2) IN TOP SECTION, (2) IN BOTTOM SECTION, WHEN NOT IN USE. GUARD BARS TO BE PLACED DIAGONALLY ACROSS BOLTS.

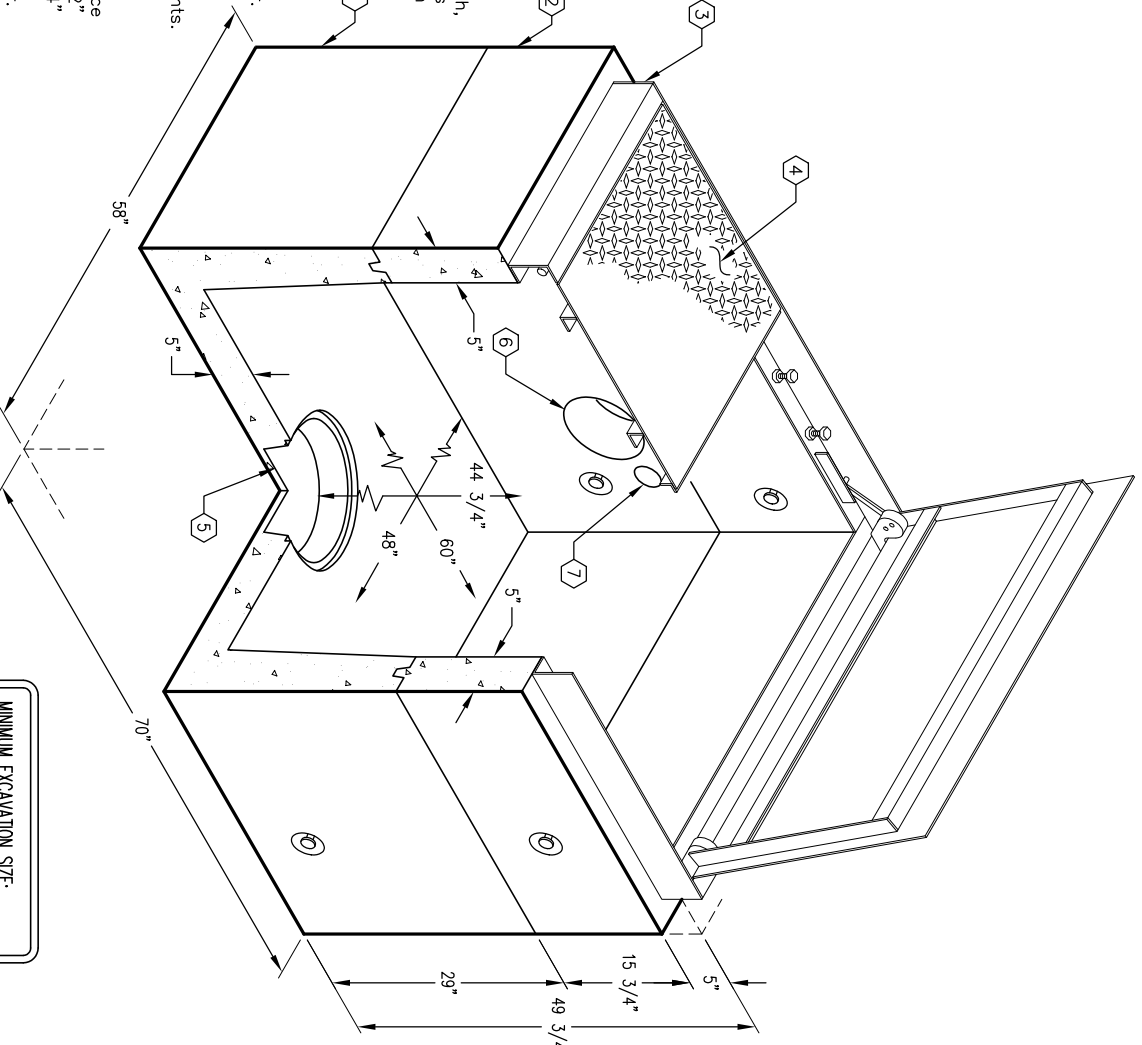
**ORDERING INFORMATION:**

K45-FH45-159404 FOR ASSEMBLY AS SHOWN.  
 APPROVED FOR SO. CALIF. GAS PER I.D. #76-9404.  
 TOTAL WEIGHT OF ASSEMBLY SHOWN IS 6,632 Lbs.

**GENERAL NOTES:**

1. Minimum soil bearing capacity is hereby assumed to be 2000 PSF unless otherwise documented by a geotechnical report that shall be provided to Jensen Precast by the end user. Jensen Precast shall not be held responsible for the soil bearing capacity.
2. Installation of Manholes, Vaults, Handholes, Meter Boxes etc. will be as per Jensen Installation procedures.
3. Structural modification to the Jensen line of products is not permitted without prior written approval from Jensen Engineering Department.
4. Do not scale the drawings, verify all dimensions including rough openings, if any discrepancies are found, notify the Jensen Engineer immediately.
5. The Jensen Engineer will interpret the intent of the drawings in case of possible conflict or discrepancy.
6. Permissible Variations:
  - Dimensional Tolerances – The length, width, height, or dia. measurements of the structure when measured on the inside surfaces shall not deviate from design dimensions by more than the following:
    - Dimensions: Tolerance:
      - 0 to 5 Feet 1/4"
      - 5 to 10 Feet 3/8"
      - 10 to 20 Feet as agreed upon between the supplier and purchaser.
  - Squareness Tolerance: The inside of the precast concrete component shall be square as determined by diagonal measurements. The difference between such measurements shall not exceed the following:
    - Measured Length: Allowable Difference
      - 0 to 10 Feet 1/2"
      - 10 to 20 Feet 3/4"

1. PB45F-B24-15, 24" BOTTOM SECTION, WT. 4,388 Lbs.
2. PB45-T15-15, 15 3/4" TOP SECTION, WT. 1,668 Lbs.
3. 5" GALV. FRAME (F45-FB-GAS), WT. 200 Lbs.
4. C445-PGSRSA, TWO PIECE GALV. S/A PARKWAY COVER (SC45-PSRGV-15) W/ GUARD BARS, SPECIAL CAM LOCKS, (2) LIFT HANDLES, AND (1) 1/2" ALLEN BUTTON HEAD CAP SCREW, WT. 376 Lbs.
5. 12" x 13" DIA. SLUMP x 4" DEEP W/RECESS, SLUMP COVER (08-2102). LOCATE AS FOLLOWS: BOTTOM SECTION (1) CORE MTD.
6. 8" x 9" DIA. THRU HOLE. LOCATE AS FOLLOWS:
  - BOTTOM SECTION (4) CORE MTD.
  - 2" x 3" DIA. K.O. x 4" DEEP (5000-340). LOCATE AS FOLLOWS: BOTTOM SECTION (4) CORE MTD.
7. 1/2" x 5" ADJUSTING BOLT. LOCATE AS FOLLOWS: BOTTOM SECTION (4) PALLET MTD.
8. 1/2" P-35-T INSERTS. LOCATE AS FOLLOWS: BOTTOM SECTION (2) CORE MTD.; TOP SECTION (4) PALLET MTD.
9. (2) CORE MTD.



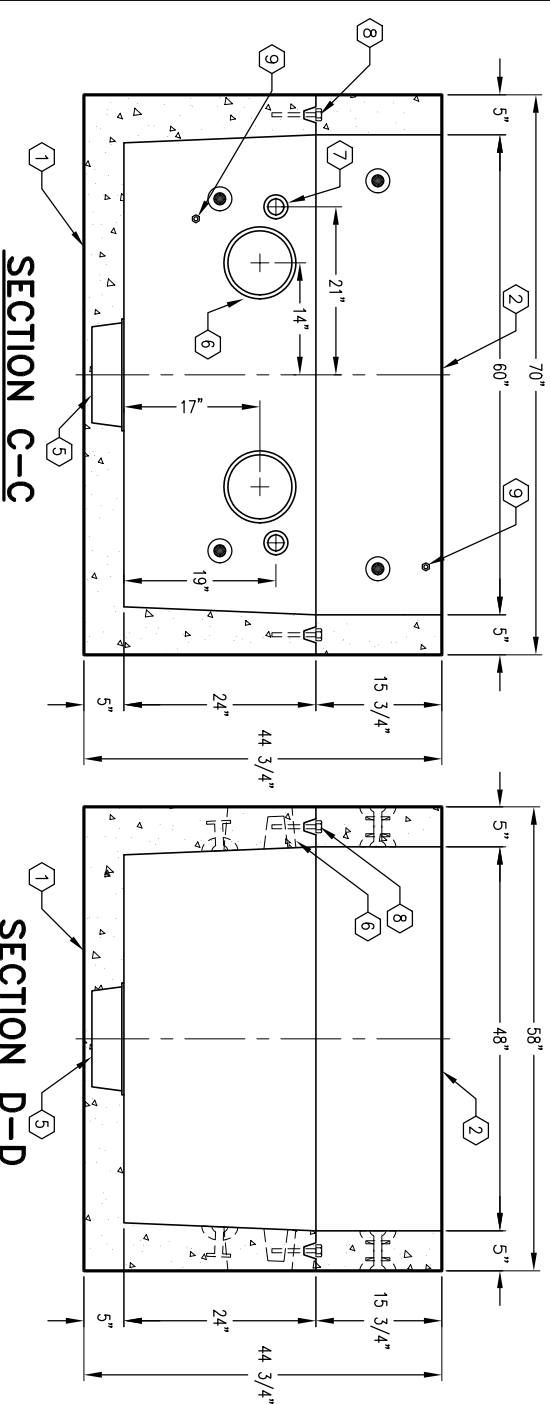
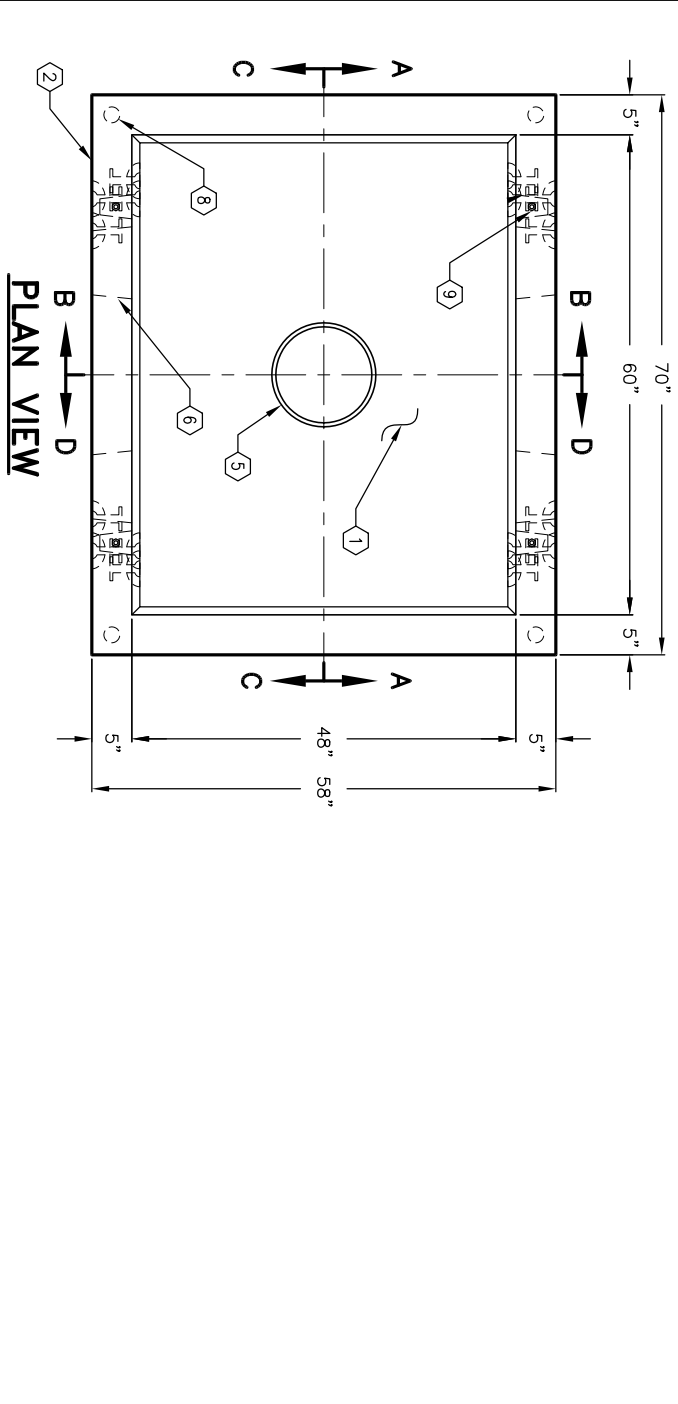
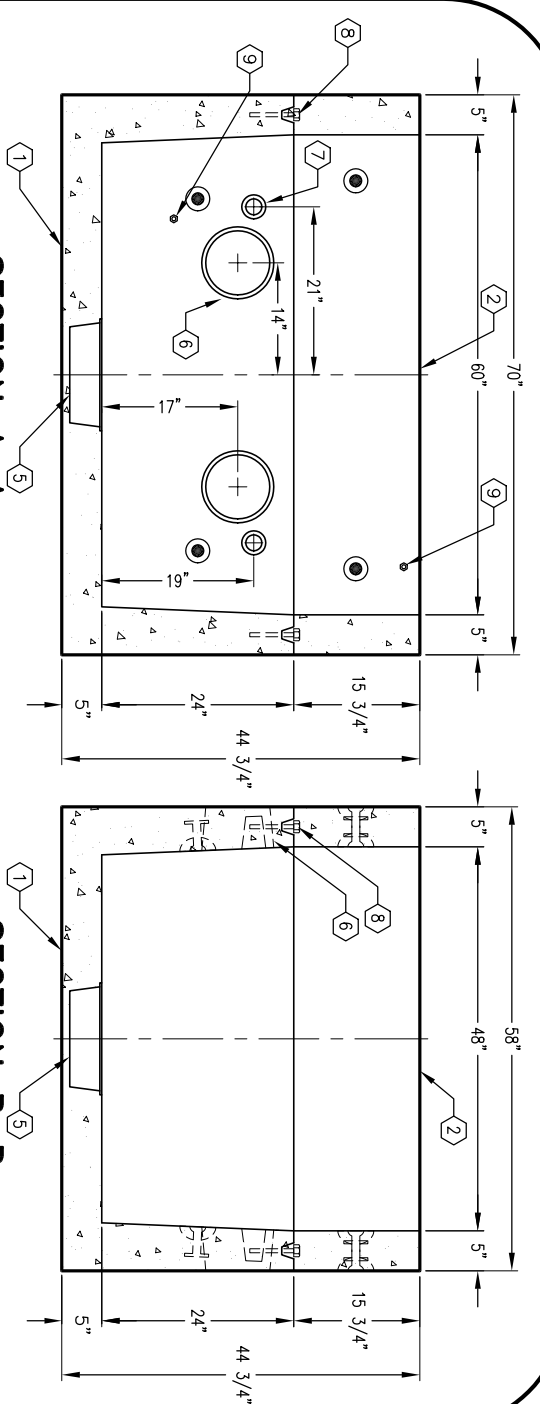
**MINIMUM EXCAVATION SIZE:**  
 5'-10" x 6'-10" x DEPTH REQ'D.

## K45-FH45-159404

PER SO. CAL. GAS CO. SPEC. 76-9404 03-01-02



AUTOCAD REL. 14



## K45-FH45-159404

PER SO. CAL. GAS CO. SPEC. 76-9404 03-01-02

#	DATE	DESCRIPTION	BY