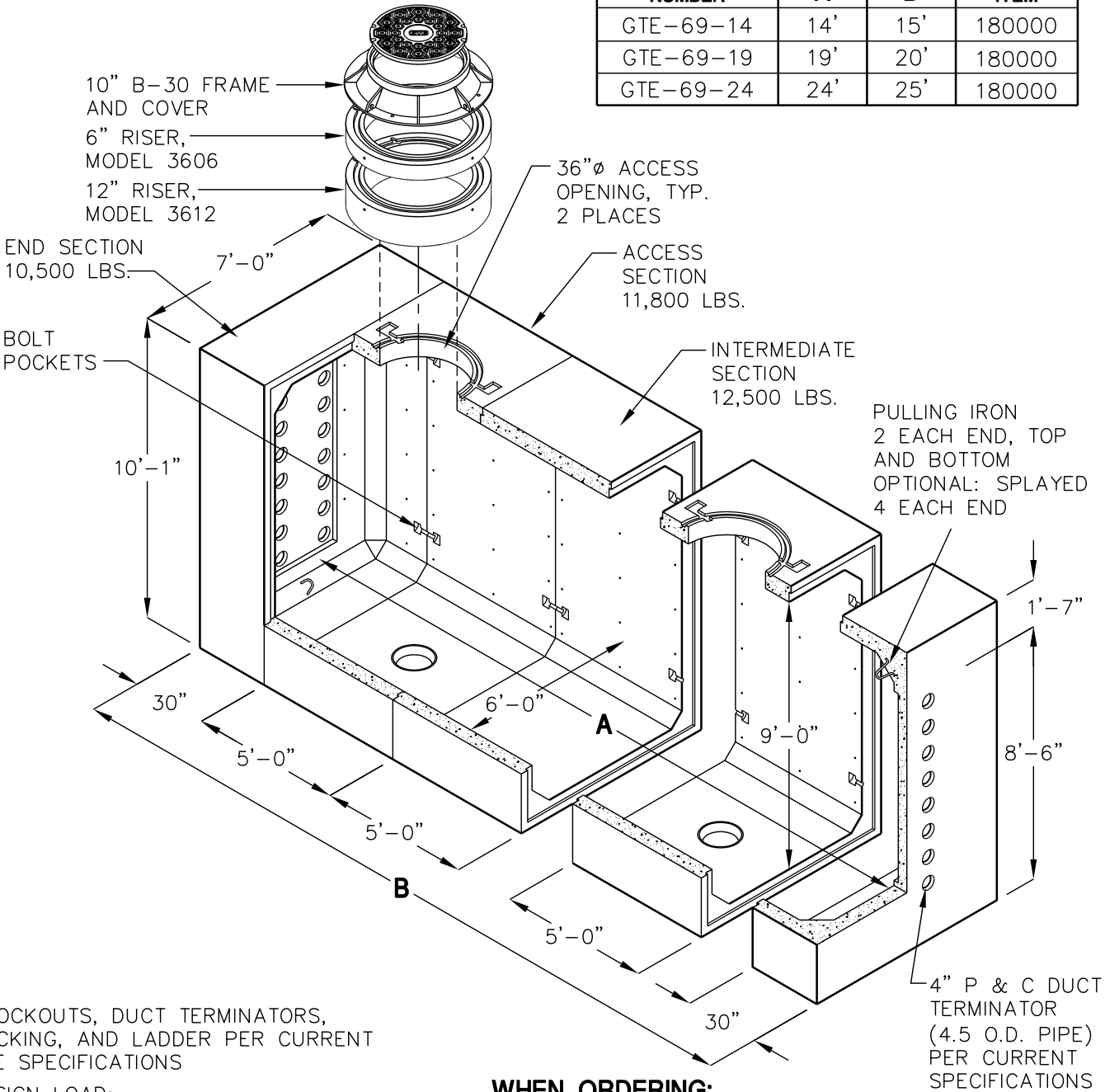


GTE69 MANHOLE

MEETS GTE SPECIFICATIONS

MODEL NUMBER	A	B	GTE ITEM
GTE-69-14	14'	15'	180000
GTE-69-19	19'	20'	180000
GTE-69-24	24'	25'	180000



KNOCKOUTS, DUCT TERMINATORS, RACKING, AND LADDER PER CURRENT GTE SPECIFICATIONS

DESIGN LOAD:
H-20 TRAFFIC
WITH 1' TO 5' EARTH COVER

FOR COMPLETE DESIGN AND PRODUCT INFORMATION, CONTACT JENSEN PRECAST.

WHEN ORDERING:

THE STANDARD GTE69 KIT INCLUDES:
2 END SECTIONS. 2 INTERMEDIATE SECTIONS WITH 36"Ø ACCESS OPENING. TWO B-30 COVERS, TWO 6" GRADE RINGS AND TWO 12" GRADE RINGS, TWO LADDERS, 6 STEP RUNGS, RACKING, AND BOLT ASSEMBLY.

