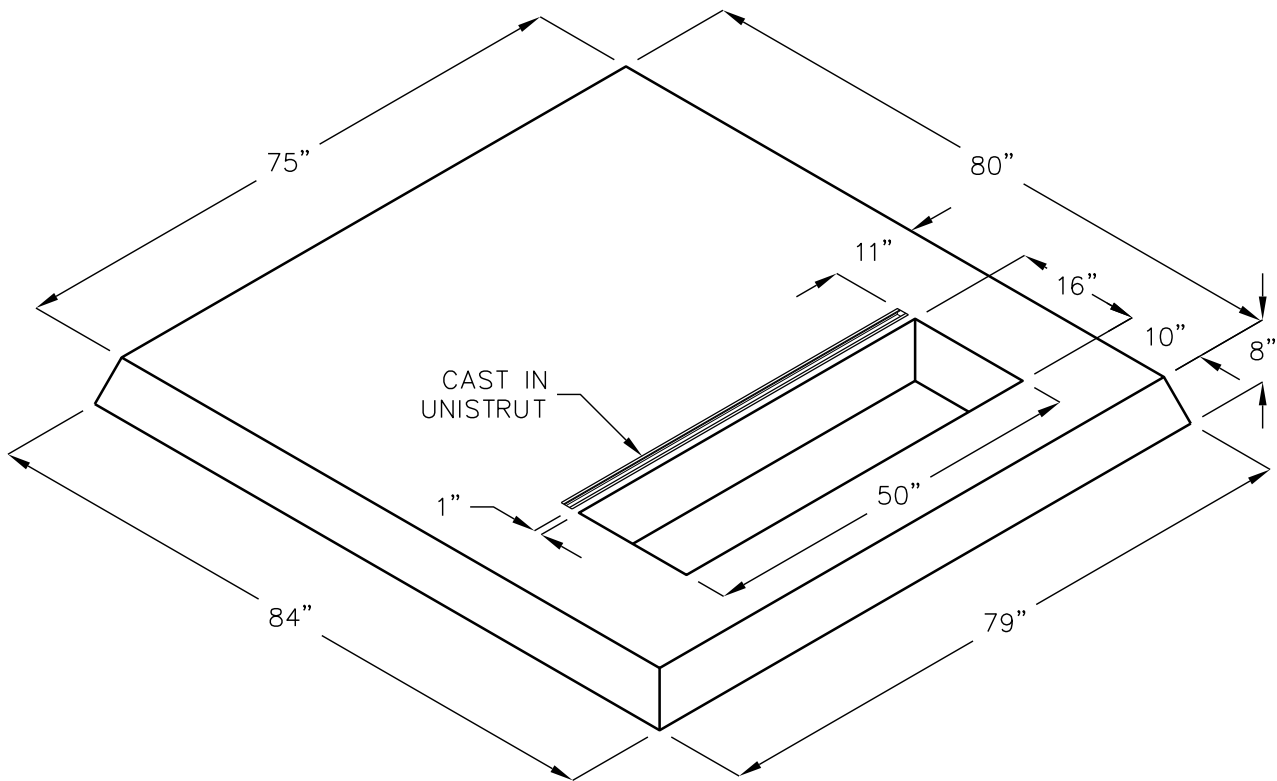


TRANSFORMER PAD 3 PHASE U-2056-1

TURLOCK IRRIGATION DISTRICT
75" x 80" x 8"



FOR COMPLETE DESIGN AND PRODUCT INFORMATION
CONTACT JENSEN PRECAST.