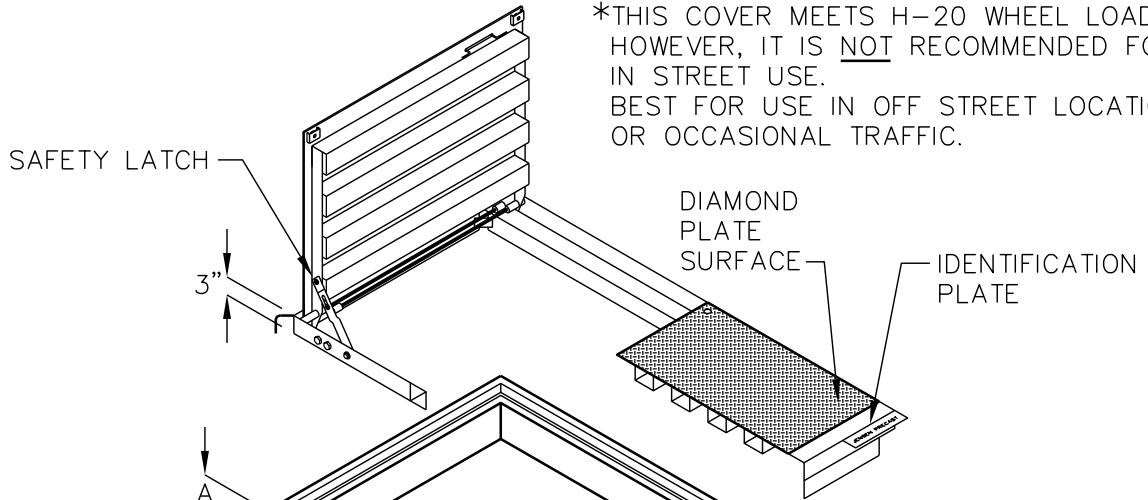


3672 INTERCEPT PULLBOX

3'-0" x 6'-0" x 3'-0" I.D.
FRONTIER COMMUNICATIONS

*3672AT-TRF, 588 LBS (H-20 TRAFFIC) OR
3672AT-PKY, 481 LBS (NON TRAFFIC)
TORSION SPRING ASSISTED COVER

NOTE:
*THIS COVER MEETS H-20 WHEEL LOADING,
HOWEVER, IT IS NOT RECOMMENDED FOR
IN STREET USE.
BEST FOR USE IN OFF STREET LOCATIONS
OR OCCASIONAL TRAFFIC.



OPTIONAL RISERS (EXTENSIONS)		
MODEL NO.	A	WEIGHT
36-R6	6"	525 LBS.
36-R12	12"	1050 LBS.

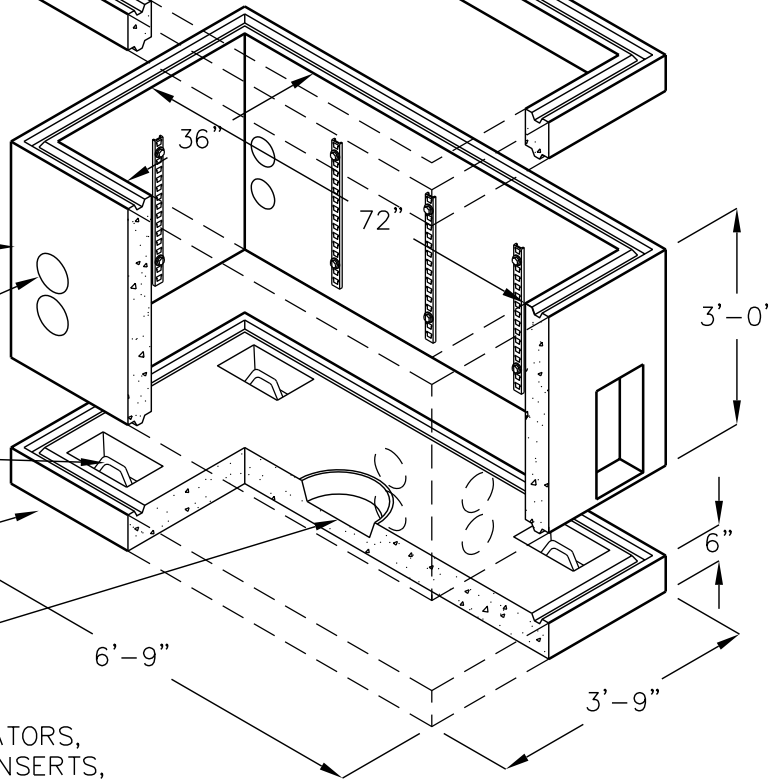
WEIGHT: 2820 LBS.

4.5" TERMADUCTS
4 EACH SIDEWALL
2 EACH ENDWALL
12 TOTAL

7/8" GALVANIZED
PULLING IRONS
4 TOTAL

BASE WEIGHT:
1900 LBS.

12" DIA. X
4.5" DEEP SUMP



KNOCKOUTS, DUCT TERMINATORS,
RACKING, PULLING IRONS, INSERTS,
ETC. PER CURRENT FRONTIER COMMUNICATIONS SPECIFICATIONS.

DESIGN LOAD: H-20 TRAFFIC.

FOR COMPLETE DESIGN AND PRODUCT INFORMATION, CONTACT JENSEN
PRECAST.