

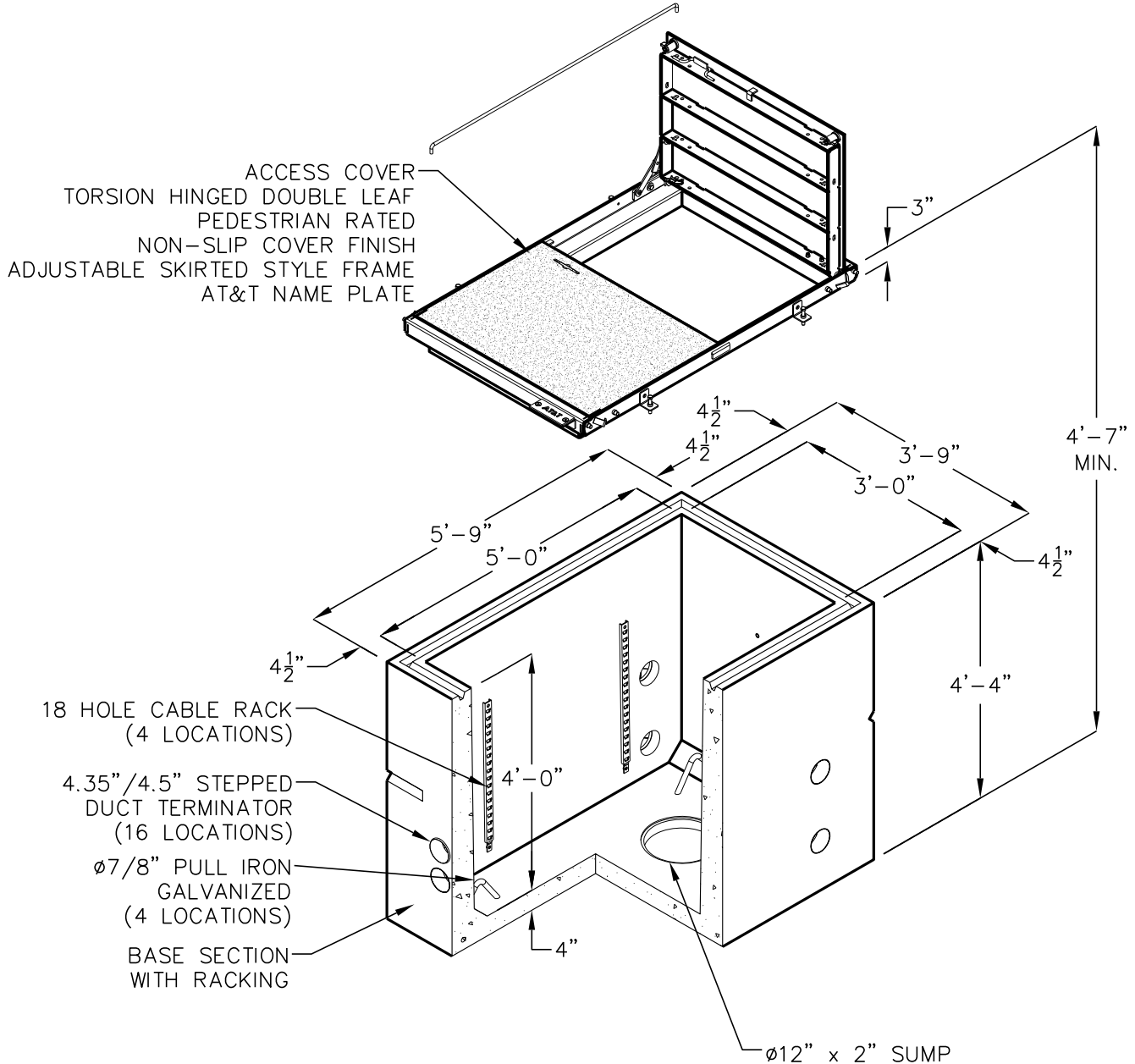


at&t Northern California  
Nevada

# 3'-0" x 5'-0" x 4'-0" AT&T SUB-SURFACE ENCLOSURE

PEDESTRIAN RATED HINGED COVER

AT&T OIN: 100061882



MATERIAL LIST	
DESCRIPTION	WEIGHT (LBS)
3'-0" x 5'-0" x 4'-0" BASE WITH RACKING - AT&T	5,214
TORSION HINGED NON-SLIP STEEL COVER - PEDESTRIAN	360

**JENSEN**  
PRECAST EST. 1968

Jensen Precast reserves the right to make changes to product design and/or dimensions without notice. Please contact Jensen Precast whenever necessary for confirmation or advice on product design.