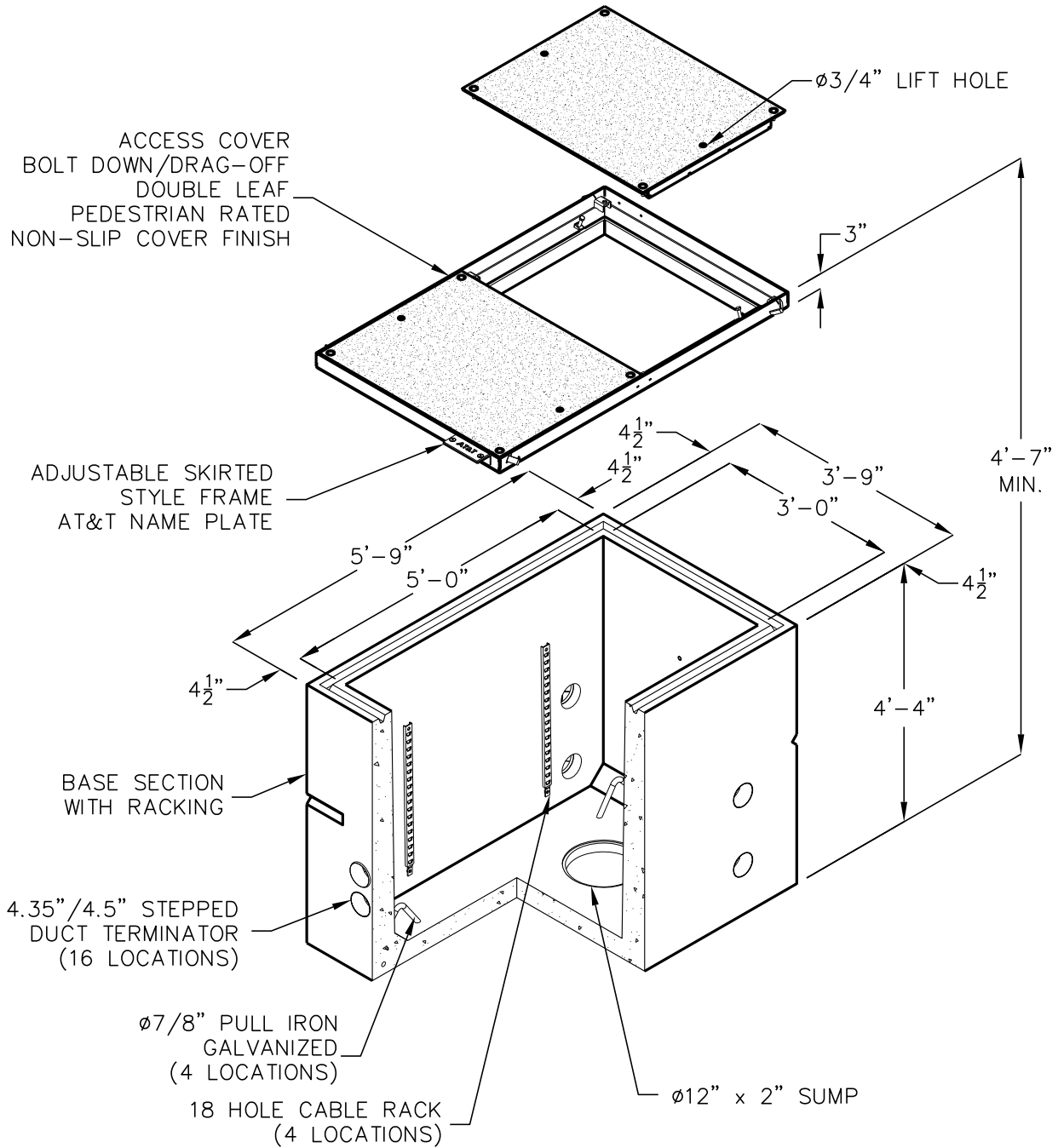


# 3'-0"x5'-0"x4'-0" AT&T SUB-SURFACE ENCLOSURE

PEDESTRIAN RATED DRAG OFF COVER  
AT&T OIN: 100061878



MATERIAL LIST	
DESCRIPTION	WEIGHT (LBS)
3'-0"x5'-0"x4'-0" BASE WITH RACKING - AT&T	5,214
BOLT DOWN/DRAG OFF NON-SLIP STEEL COVER - PEDESTRIAN	395

Jensen Precast reserves the right to make changes to product design and/or dimensions without notice. Please contact Jensen Precast whenever necessary for confirmation or advice on product design.