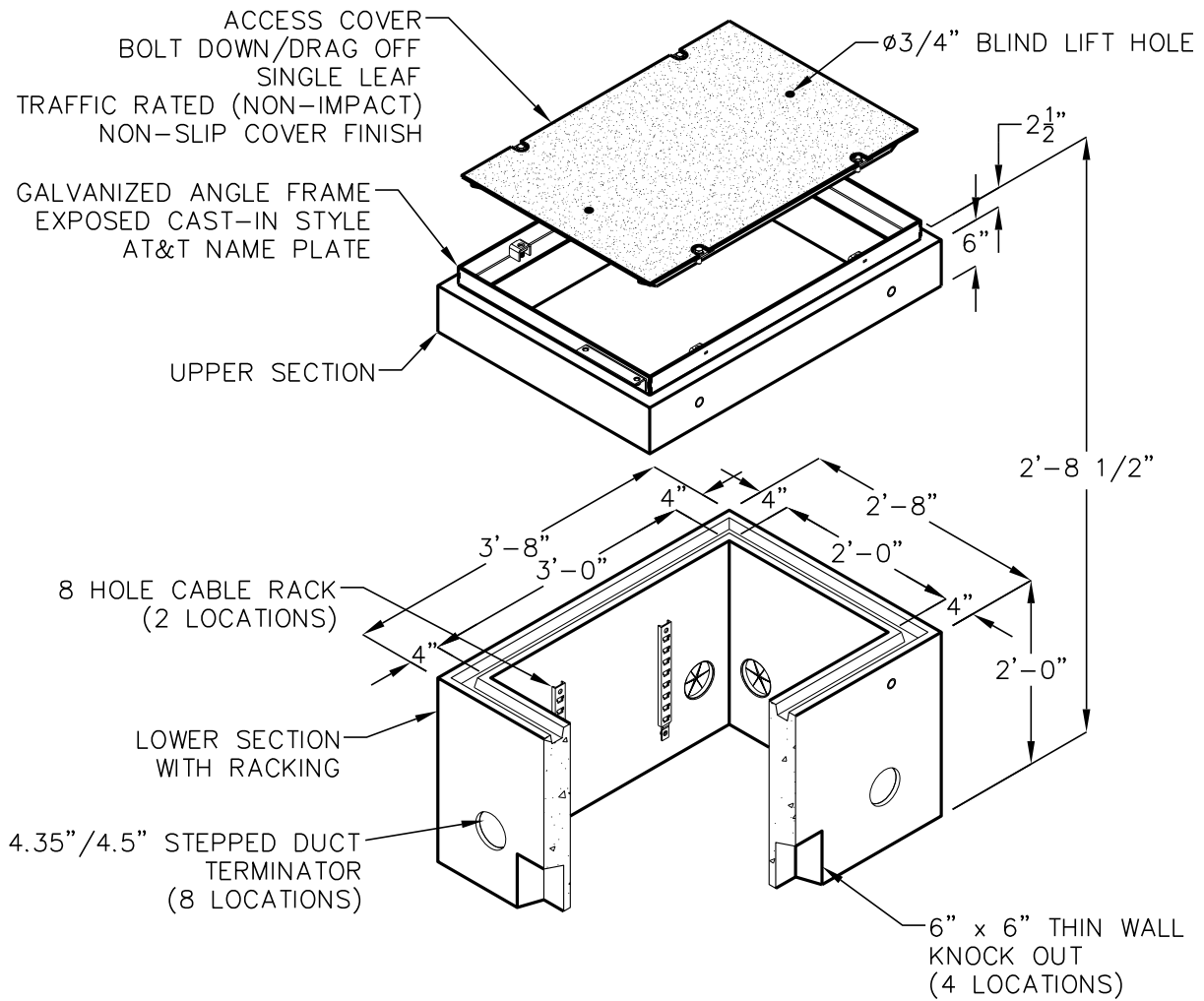




at&t Northern California
Nevada

2'-0" x 3'-0" x 2'-6"
AT&T SPLICE BOX
TRAFFIC RATED DRAG OFF COVER
AT&T OIN: 100070130



MATERIAL LIST	
DESCRIPTION	WEIGHT (LBS)
2'-0"x3'-0"x24" LOWER SECTION - AT&T	1,021
2'-0"x3'-0"x6" UPPER SECTION - AT&T	343
BOLT DOWN/DRAG OFF NON-SLIP STEEL COVER - TRAFFIC	160



Jensen Precast reserves the right to make changes to product design and/or dimensions without notice. Please contact Jensen Precast whenever necessary for confirmation or advice on product design.